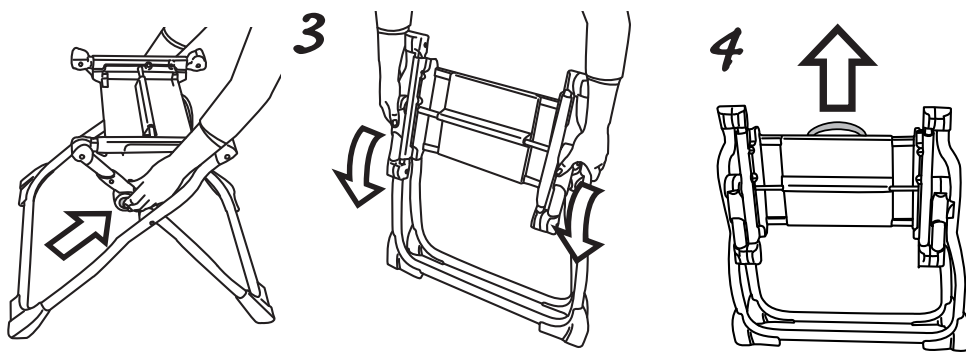
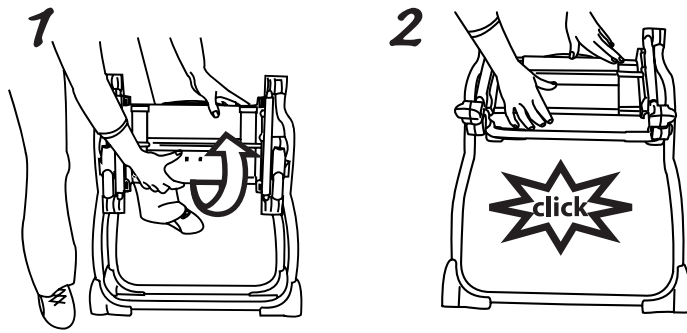


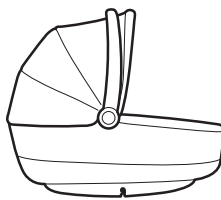


IT Istruzioni d'uso
EN Instructions for use
FR Notice d'emploi
DE Gebrauchsanleitung
ES Instrucciones de uso

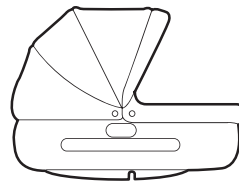
bassinet stand



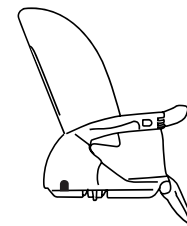
Primo Viaggio Tri-Fix
Primo Viaggio Tri-Fix 30•30 (USA)
Primo Viaggio Tri-Fix SIP (CA)



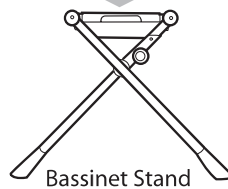
Navetta XL



Culla / Young
(Only EU)



Pliko Switch



Bassinet Stand

EN_English

Thank you for choosing a Peg Perego product.

WARNING

- **IMPORTANT: KEEP FOR FUTURE USE. READ THESE INSTRUCTIONS CAREFULLY. FAILURE TO FOLLOW THEM MAY PUT THE CHILD'S SAFETY AT RISK.**
- NEVER LEAVE YOUR CHILD UNATTENDED.
- THE USE OF PARTS OR ACCESSORIES NOT APPROVED BY THE MANUFACTURER COULD BE DANGEROUS.
- DO NOT INTRODUCE FINGERS IN THE MECHANISMS.
- ALL OPERATING AND ASSEMBLY PROCEDURES SHOULD BE PERFORMED BY AN ADULT.
- DO NOT USE THE PRODUCT IF IT HAS BROKEN OR MISSING PARTS.
- DO NOT USE THIS PRODUCT AROUND STAIRS OR STEPS.
- WARNING: USE ONLY ON A FIRM GROUND WHICH IS HORIZONTAL, LEVEL AND DRY.
- WARNING: DO NOT LET OTHER CHILDREN PLAY UNATTENDED NEAR THE CARRY COT AND STAND.
- WARNING: DO NOT USE IF ANY PART IS BROKEN, TORN OR MISSING.
- USE ONLY REPLACEMENT PARTS SUPPLIED OR APPROVED BY THE MANUFACTURER.
- WHEN THE STAND IS NOT IN USE, IT MUST BE FOLDED OR PUT AWAY.
- USE ONLY WITH PEG PEREGO PRODUCTS THAT ARE NO MORE THAN 85 CM. LONG (YOUNG, CULLA AND NAVETTA XL BASSINET UNITS, PLIKO SWITCH SEAT, AND PRIMO VIAGGIO TRI-FIX CAR SEAT, PRIMO VIAGGIO TRI-FIX SIP 30-30 USA, PRIMO VIAGGIO TRI-FIX SIP CA)
- CHECK TO MAKE SURE THE BASSINET UNIT OR SEAT IS CORRECTLY FASTENED TO THE BASSINET STAND.
- STAY ATTENTIVE TO THE RISKS PROVIDED BY FIRE AND OTHER SIGNIFICANT SOURCES OF HEAT SUCH AS ELECTRIC RADIATORS,

GAS HEATERS, ECT. THAT ARE IN THE IMMEDIATE VICINITY OF THE PRODUCT.

- 1 **OPENING:** To open the bassinet stand, pull the base upwards, as shown in the figure.
- 2 When correctly opened, the bassinet stand clicks into place. Bassinet Stand has wheels, which can be used for moving it around easily and for rocking the child.
- 3 **CLOSING:** To close the bassinet stand, press the buttons and turn the side braces downwards. The closed bassinet stand will stand upright.
- 4 **CARRYING:** The bassinet stand can be conveniently carried using the handle on the side of the base.
- 5 **GANCIOMATIC SYSTEM:** is the quick, practical system that makes it possible to attach a Culla, Young or Navetta XL bassinet unit, a Primo Viaggio Tri-Fix car seat, Primo Viaggio Tri-Fix SIP 30-30 (USA), Primo Viaggio Tri-Fix SIP (CA), or a Pliko Switch seat to the Ganciomatic Base of the Bassinet Stand in a single step. Simply place the item on top of the Ganciomatic Base and press down on it with both hands until it clicks into position.
To remove the product from the bassinet stand, consult the relative instruction manual.

PEG-PÉREGO S.p.A.



Peg-Pérego S.p.A. is an ISO 9001 certified company. This certification is a guarantee for customers and consumers of the transparency and trustworthiness of the company's procedures and working methods.

Peg Pérego can make changes at any time to the models described in this publication for technical or commercial reasons.

Peg Pérego is at the disposal of its customers and consumers to ensure that all their demands and queries are fully satisfied. It is a key part of our policy to ensure we are always aware of our customers' views and requirements. We would therefore be very grateful if, after using a Peg Pérego product, you take the time to fill in our CUSTOMER SATISFACTION QUESTIONNAIRE, making a note of any comments or suggestions you might have. You can find the questionnaire on the Peg Pérego website: www.pegperego.com

PEG-PÉREGO AFTER-SALES SERVICE

If any parts of your Peg Pérego product should be accidentally mislaid or damaged, use exclusively genuine original Peg Pérego replacements. For any repairs, replacements, product information, and orders for genuine original replacement parts and accessories, please contact Peg Perego After Sales Service indicating the product serial number, if any.
tel. 0039/039/60.88.213 fax 0039/039/33.09.992
e-mail assistenza@pegperego.it
website www.pegperego.com

This document was created with Win2PDF available at <http://www.win2pdf.com>.
The unregistered version of Win2PDF is for evaluation or non-commercial use only.
This page will not be added after purchasing Win2PDF.