



U.S.A./CANADA/AUSTRALIA

EN Instructions for use

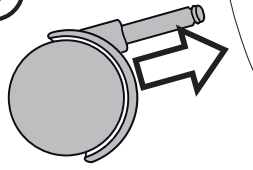
ES Instrucciones de uso

FR Notice d'emploi

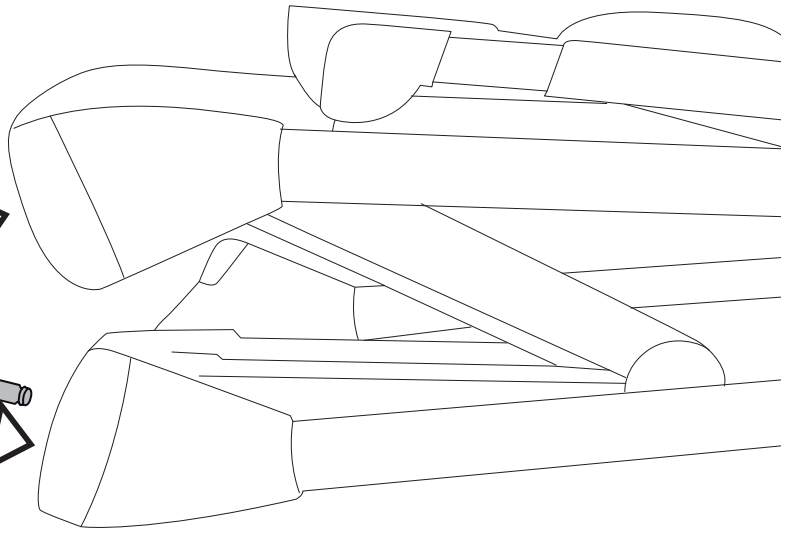
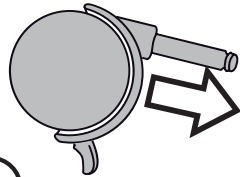
prima pappo diner

1

a

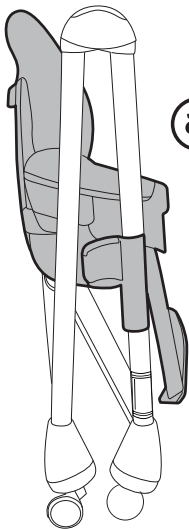


b



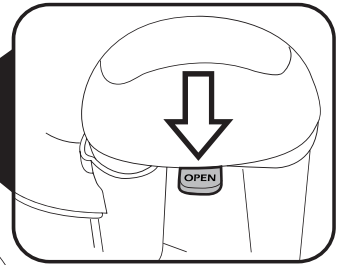
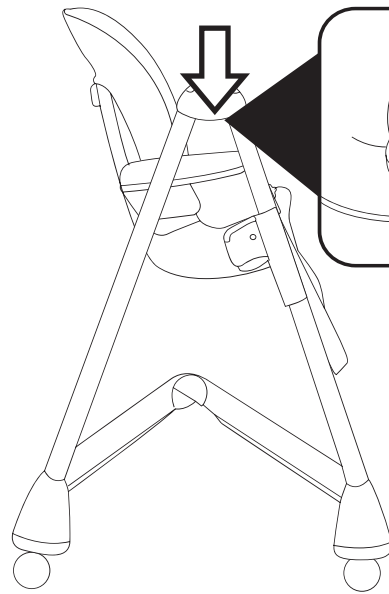
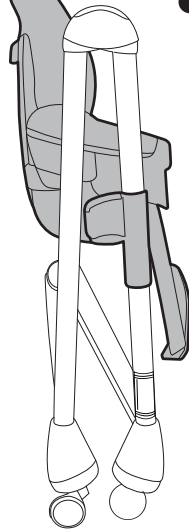
2

NO



a

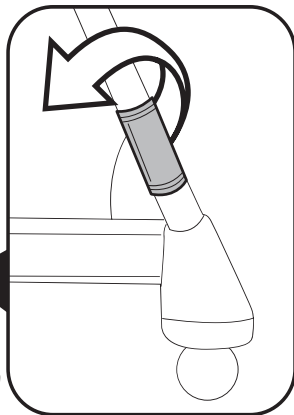
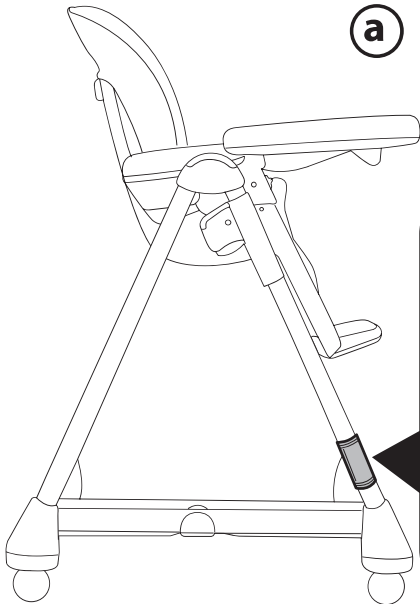
↑ OK



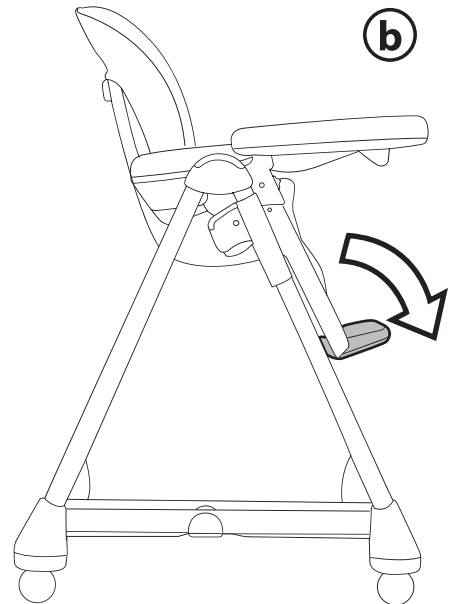
b

3

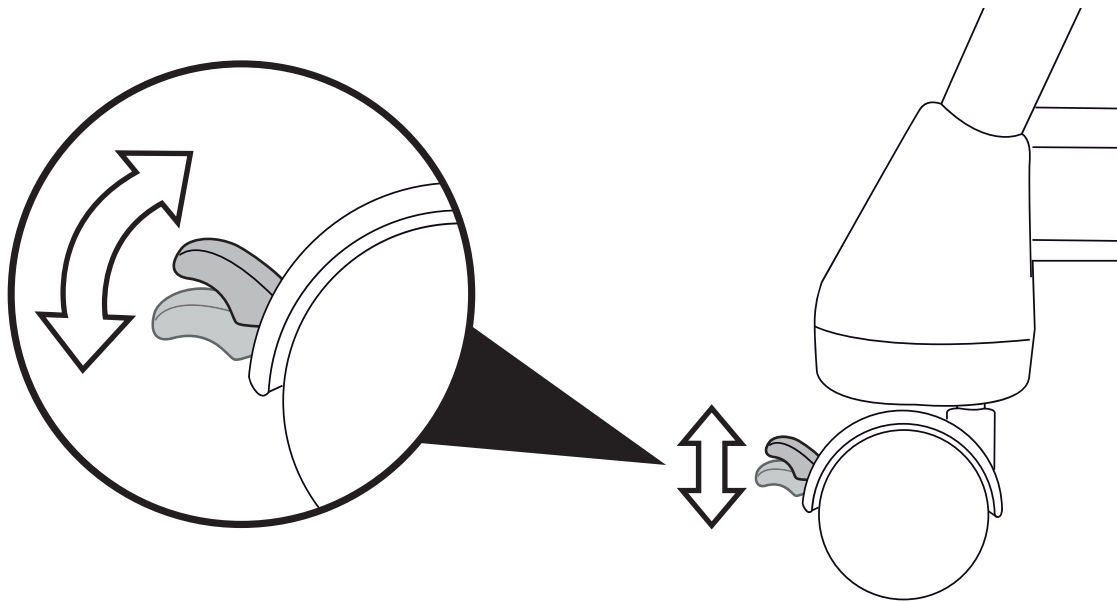
a



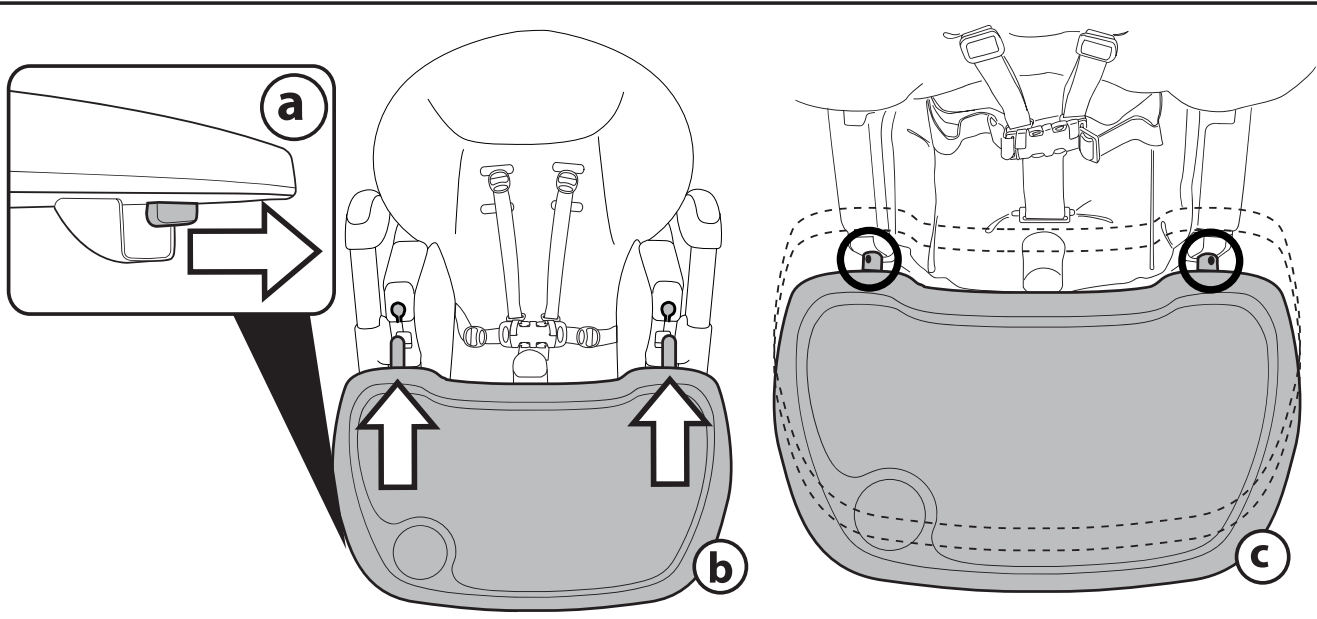
b



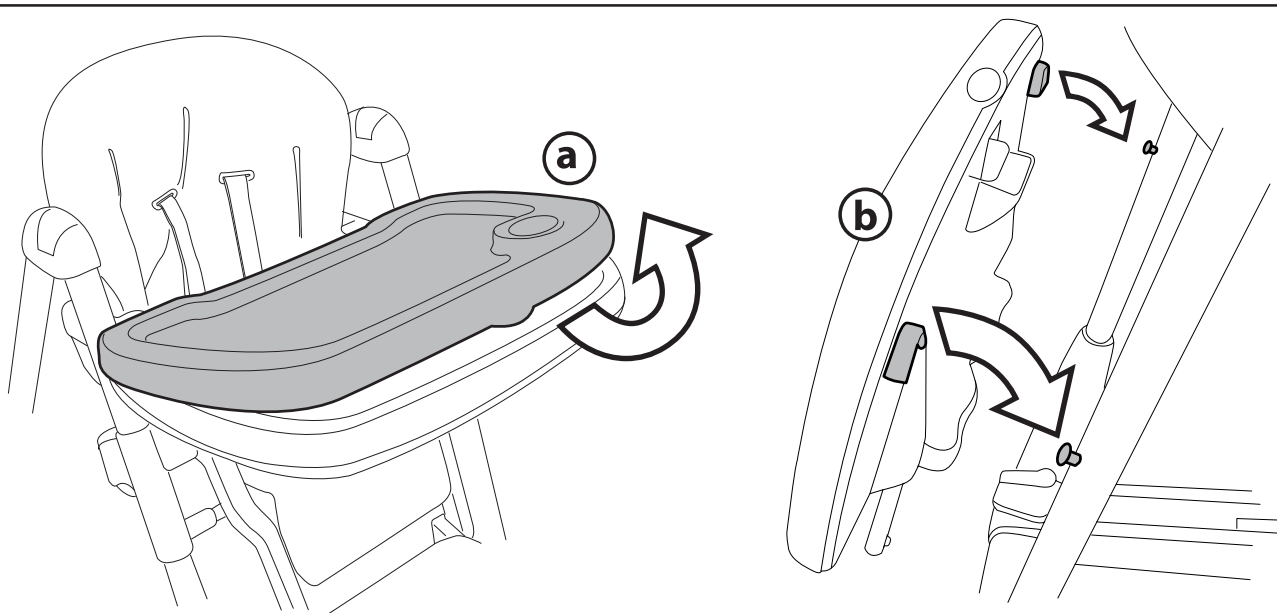
4



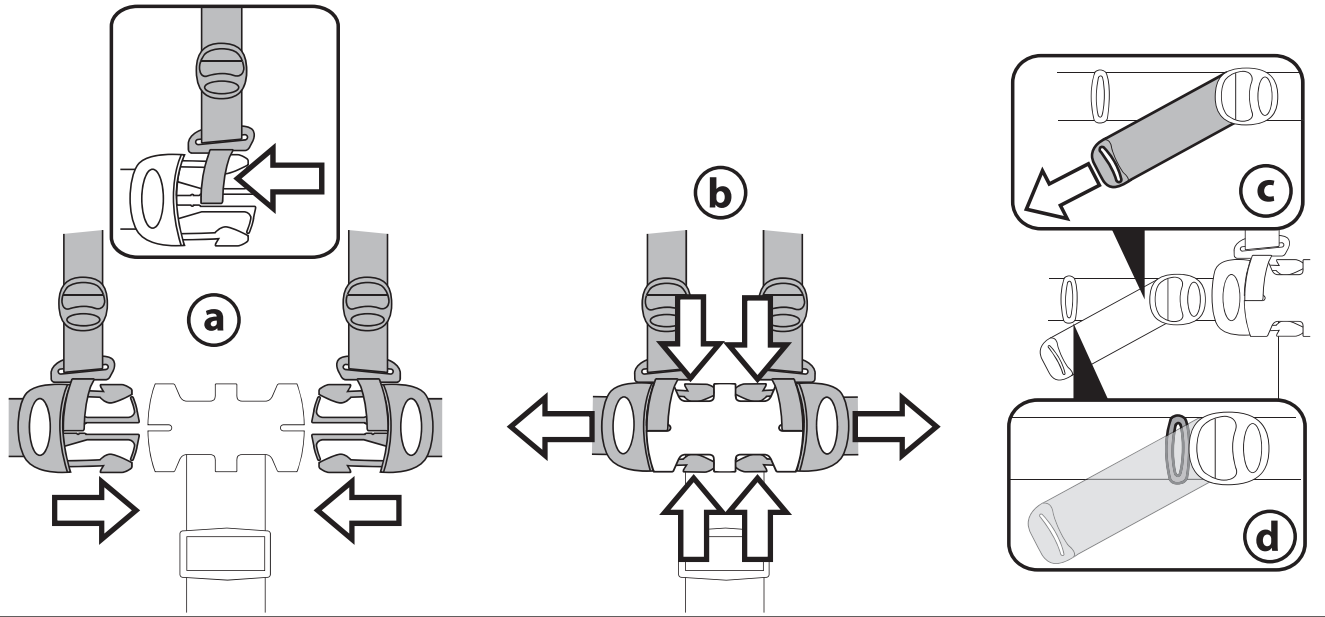
5



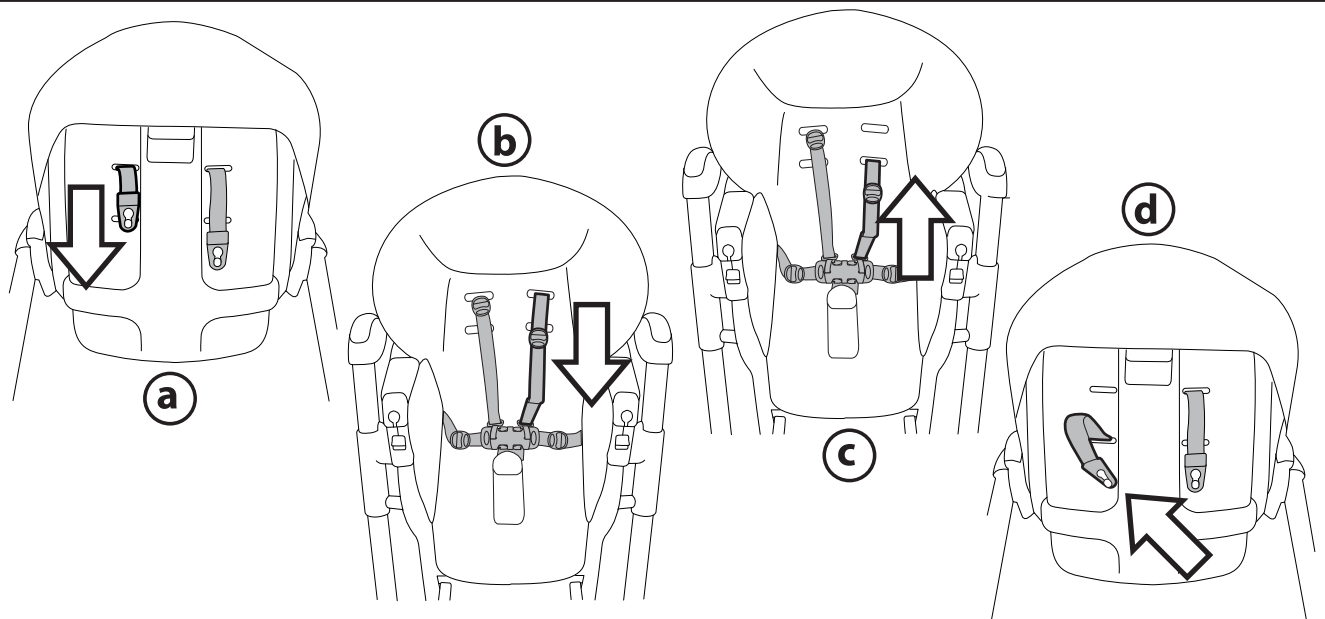
6



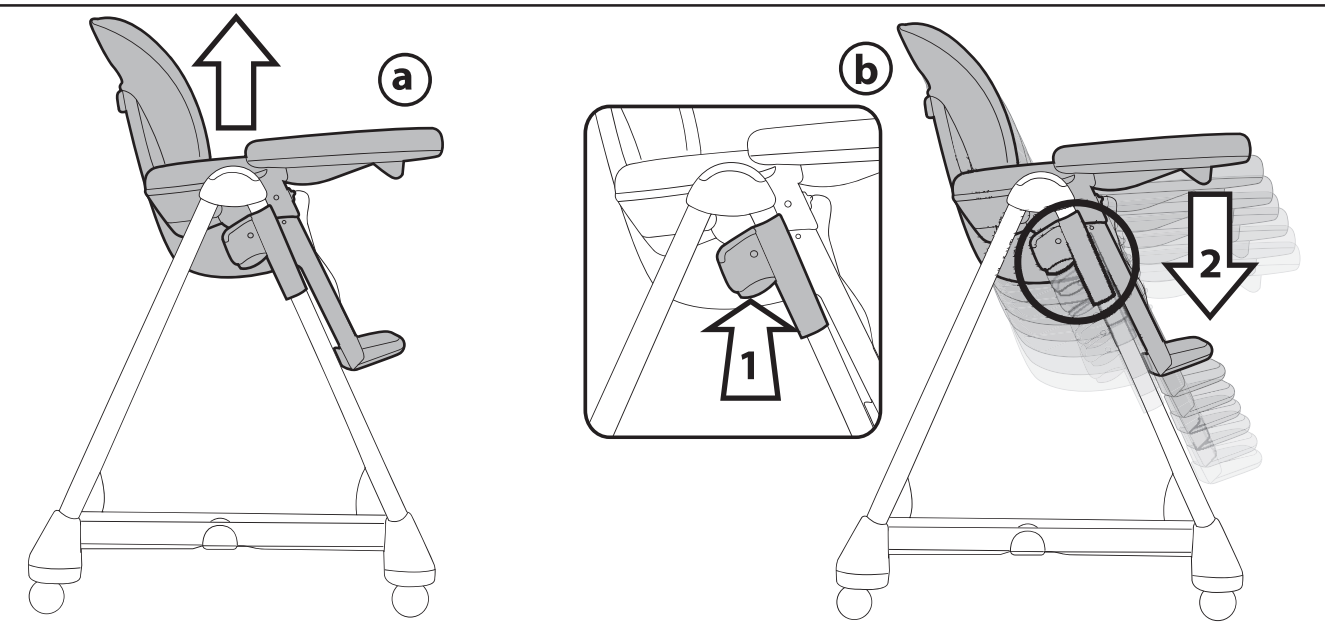
7



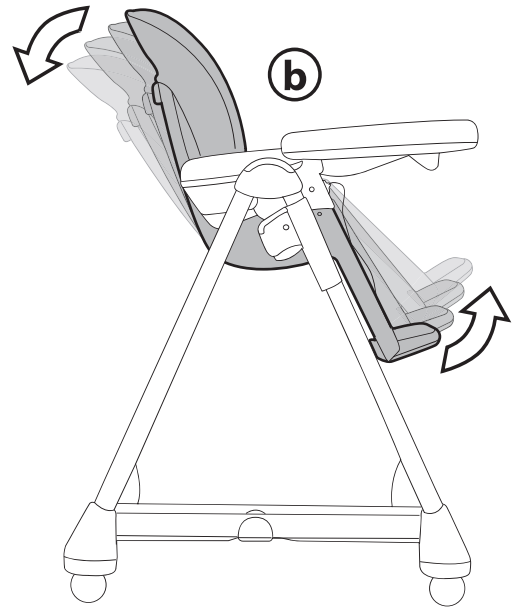
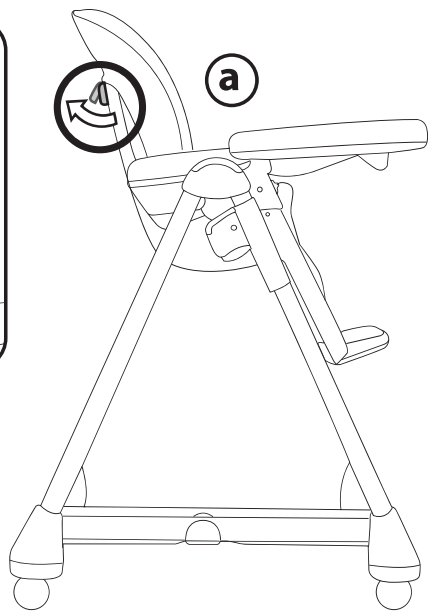
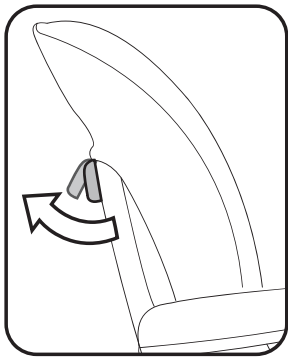
8



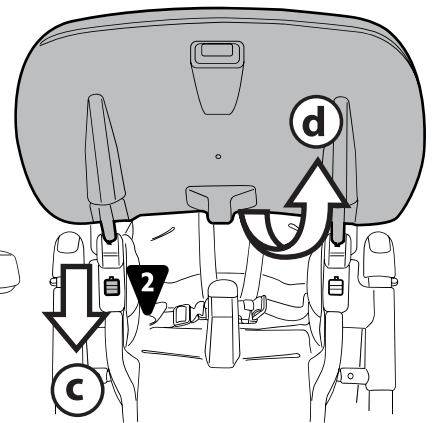
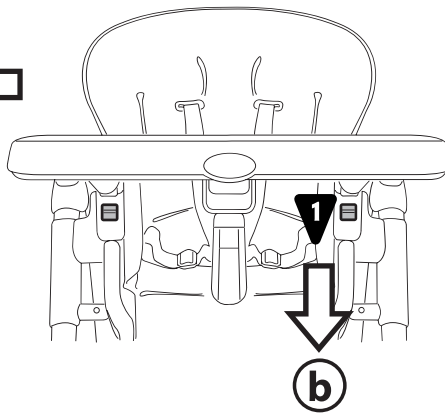
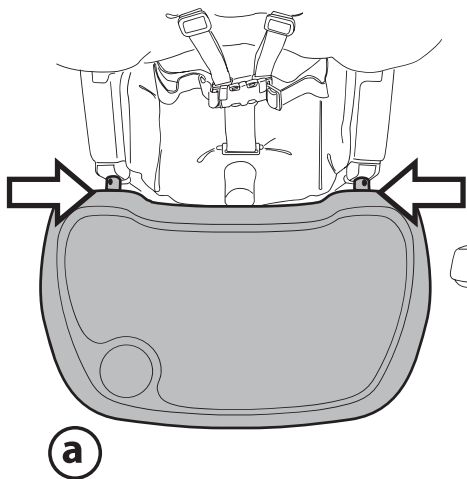
9



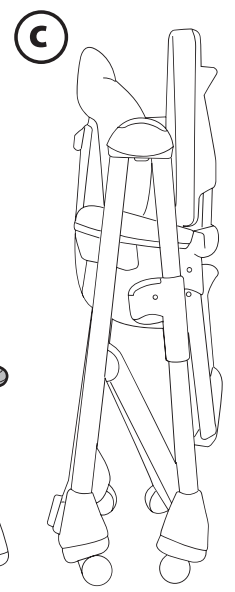
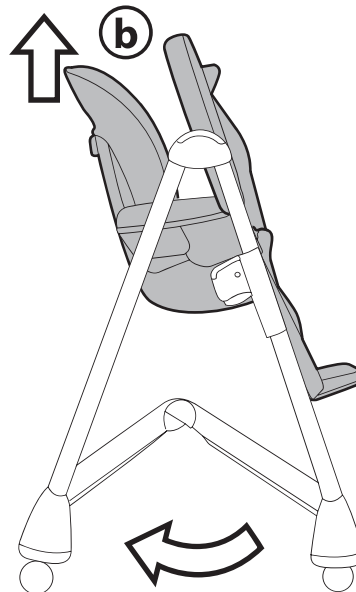
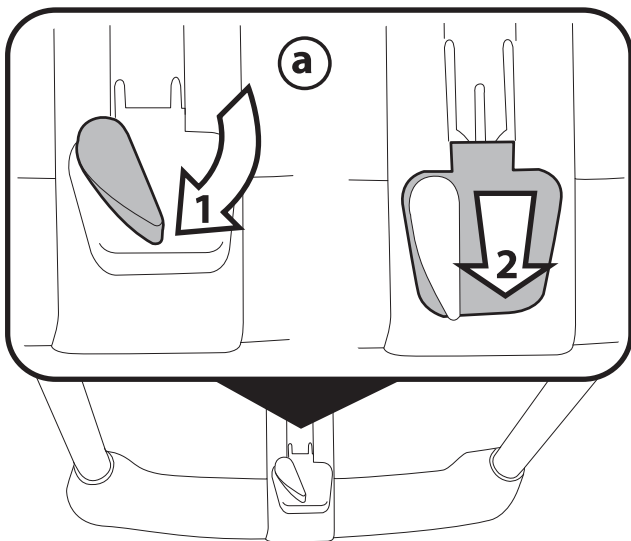
10



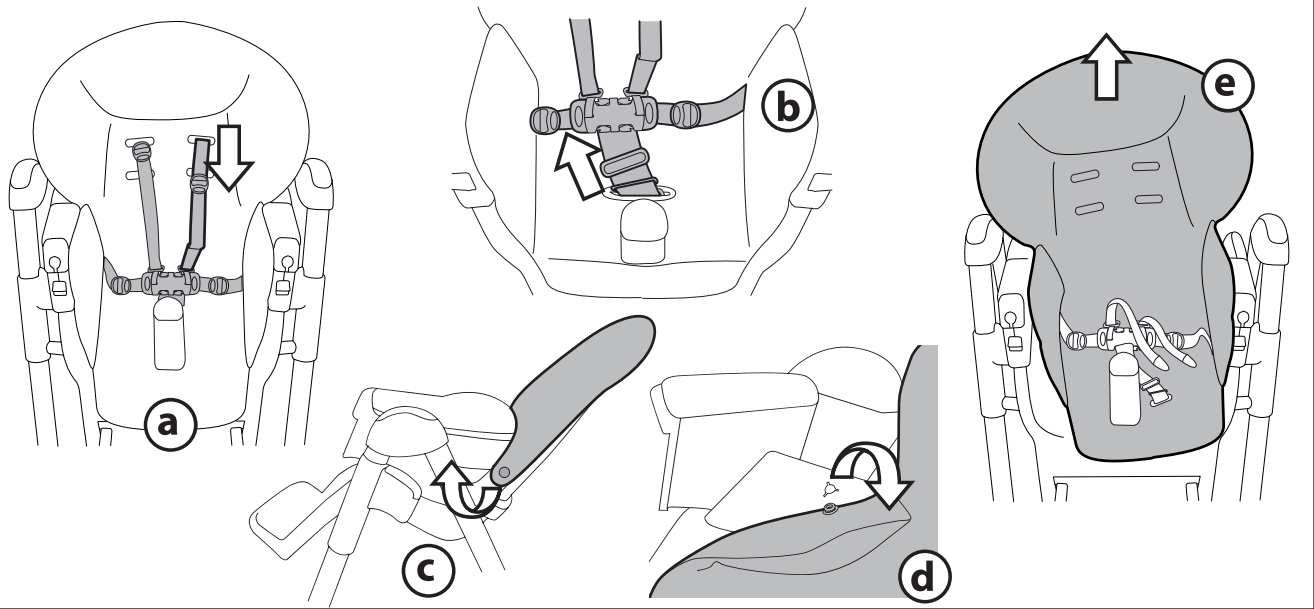
11



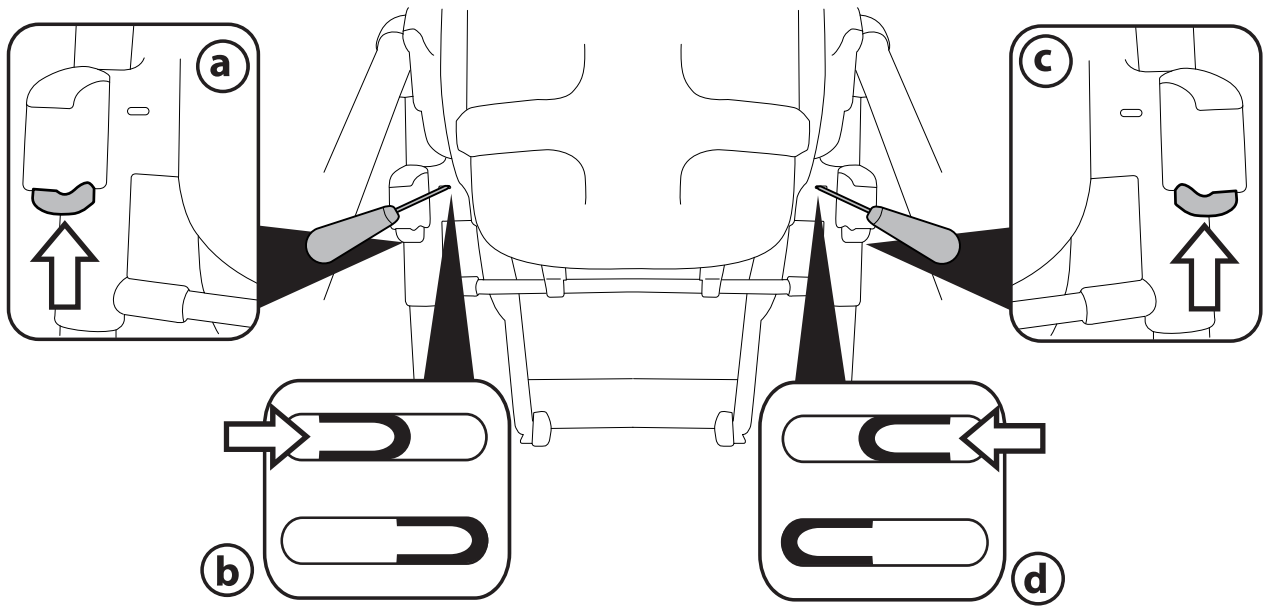
12



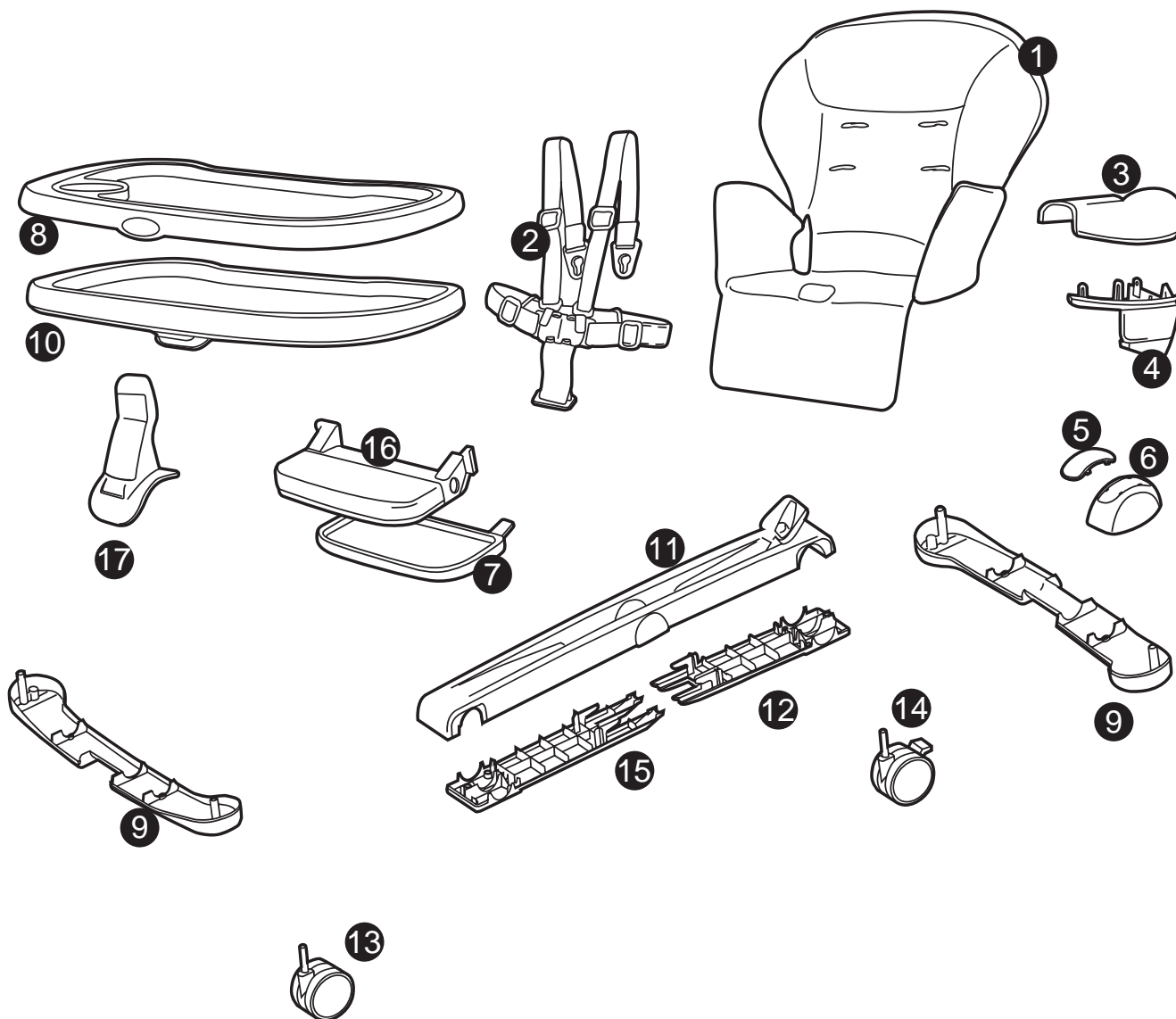
13



14



Prima Pappa Diner



- | | | |
|---------------|------------------|---------------|
| 1 EMPP35• | 6 SPST5458• | 13 SAPI5934• |
| 2 MUCI5P18• | 7 SPST4725• | 14 SAPI5934T• |
| 3 SPST5025XD• | 8 IRTR0021• | 15 SPST5942J• |
| 3 SPST5025XS• | 9 SPST5728• | 16 SPST4645• |
| 4 SPST5024D• | 10 SAPU5298KJ•US | 17 SAPI5171• |
| 4 SPST5024S• | 11 SAPU5730• | |
| 5 SPST5459• | 12 SPST5942K• | |

EN• Spare parts available in different colours to be specified when ordering.
 ES• Repuestos disponibles en otros colores que se especificarán en el pedido.
 FR• Pièces de rechange disponibles en plusieurs couleurs à spécifier dans la demande.

EN_English

Thank you for choosing a Peg-Pérego product.

WARNING

IMPORTANT: READ THESE INSTRUCTIONS CAREFULLY AND KEEP THEM FOR FUTURE REFERENCE. FAILURE TO FOLLOW THESE INSTRUCTIONS COULD PUT THE CHILD'S SAFETY AT RISK.

ALL ASSEMBLY AND OPERATING PROCEDURES SHOULD BE PERFORMED BY AN ADULT; DO NOT USE THE PRODUCT IF IT HAS BROKEN OR MISSING PARTS.

CLEANING AND MAINTENANCE MUST ONLY BE CARRIED OUT BY AN ADULT.

PREVENT SERIOUS INJURY OR DEATH FROM FALLS OR SLIDING OUT; ALWAYS USE COMPLETE 5 POINT SEATBELT; THE CHILD SHOULD BE SECURED IN THE HIGH CHAIR AT ALL TIMES, EITHER IN THE RECLINED OR IN THE UPRIGHT POSITION.

ALWAYS USE THE CROTCH STRAP.

NEVER LEAVE THE CHILD UNATTENDED; ALWAYS KEEP CHILD IN VIEW WHILE IN THE HIGHCHAIR.

TRAY AND ACCESSORY TRAYS ARE NOT DESIGNED TO SUPPORT THE CHILD'S WEIGHT; TRAY IS NOT DESIGNED TO HOLD THE CHILD IN THE CHAIR.

ALWAYS USE THE HIGHCHAIR ON A FLAT, HORIZONTAL SURFACE.

IT IS RECOMMENDED THAT THE HIGH CHAIR BE USED IN THE UPRIGHT POSITION ONLY BY CHILDREN CAPABLE OF SITTING UPRIGHT.

BE CAREFUL OF WHERE YOU PLACE THE PRODUCT. AVOID PLACING THE CHILD NEAR SAFETY HAZARDS SUCH AS ELECTRICAL CORDS, SOURCES OF HEAT, OR FLAMES.

DO NOT PUT FINGERS IN THE MECHANISM. MAKE SURE YOUR CHILD'S ARMS AND LEGS ARE CLEAR OF THE MOVING PARTS DURING ADJUSTMENT.

USING ACCESSORIES THAT HAVE NOT BEEN APPROVED BY THE MANUFACTURER MAY BE HAZARDOUS.

DO NOT USE THE PRODUCT NEAR STAIRS OR STEPS.

BE CAREFUL NOT TO PLACE THE PRODUCT NEAR SOURCES OF HEAT OR FLAMES, SUCH AS GAS STOVES, ELECTRIC HEATERS, ETC.

MAKE SURE THE BELT IS ATTACHED PROPERLY.

DO NOT USE THE HIGH CHAIR UNLESS ALL OF THE PARTS ARE PROPERLY FITTED AND ADJUSTED.

NOTICE: THIS ARTICLE MEETS OR EXCEEDS ALL REQUIREMENTS COVERED IN ASTM F833 STANDARD AND LATEST REVISIONS.

INSTRUCTIONS

- FITTING THE FRONT AND REAR WHEELS:** fit the two front wheels to the front of the high chair (fig_a) and the rear ones, with the brake, to the rear (fig_b), by pushing in the direction of the arrow.
- OPENING:** when it is removed from the packaging, the high chair is not in the correct position for use (packing position). For use, raise it up until it engages with a click at one of the seven chair heights (fig_a). To open the high chair, push the red side levers down (fig_b) and push the back supports outwards.
- Before using the high chair, remove the spacers (fig_a) and lower the footrest (fig_b).
- BRAKE:** the rear wheels of the high chair are fitted with brakes. To apply the brakes, lower the levers on the rear wheels. To release them, raise the levers. It is recommended that you apply the brakes before carrying out any procedures involving the high chair.
- TRAY:** to fit the tray, pull the lever underneath it towards you (fig_a) while at the same time inserting it onto the armrests, and push down fully (fig_b). The tray is extendible to three positions (fig_c). The third position (indicated with red markings) should not be used and is only for reclosing the tray.

- _ To extend the tray, pull the lever under it and pull the tray towards you into the first position, repeating the operation to move it into the second position.
 - _ To remove the tray, pull the lever and at the same time push the tray towards yourself until it disengages.
- 6 The high chair has a double tray. The top tray can easily be washed in a dishwasher. To remove it, detach it from the lower tray and lift it up (fig_a). To fix the tray on the rear supports of the high chair, align and engage it with the attachments provided (fig_b). When the high chair is closed, the tray cannot be attached to the rear supports.
 - 7 **FIVE POINT SAFETY HARNESS:** to close it, insert the two waist strap buckles (with attached shoulder straps) into the crotch strap until they click into position (fig_a). To release it, press the two sides of the buckles and at the same time pull the waist strap outwards (fig_b). To tighten the waist strap pull from both sides in the direction of the arrow (fig_c), to loosen do the opposite. The waist strap can be tightened up to the safety stop (fig_d).
 - 8 The shoulder straps can be adjusted to two different heights. Unfasten the safety belt from behind the backrest by pushing the buckle downwards (fig_a) and unthread the strap from the cover (fig_b). Insert the strap buckle into the other slot in the backrest (fig_c) and reattach the buckle, pulling the strap until it clicks into position (fig_d).
 - 9 **ADJUSTING HEIGHT:** the high chair can be set at 7 different heights. To raise it, take hold below the tray and pull upwards (fig_a). To lower it, press the two side buttons at the same time and move to the required height (fig_b). This can also be carried out with the child in the high chair.
 - 10 **RECLINING BACKREST.** The high chair can be reclined in four positions: for eating, playing, resting, or sleep. To adjust it, raise the handle behind the backrest (fig_a) and lock in the required position (fig_b). This can also be carried out with the child in the high chair.
 - 11 **CLOSING AND REOPENING THE TRAY:** to close the tray, pull it to the third position indicated with the red markings (fig_a), push down button 1 (fig_b), push down button 2 (fig_c), and at the same time rotate the tray upwards until it locks (fig_d). To reopen the tray, push down button 2, rotate the tray downwards and set it in the first or second position.
 - 12 **FOLDING:** before folding up the high chair, close the tray, move the backrest to the upright position, lower the seat to the lowest position, and close the footrest. To fold up the high chair, release the safety device by turning it in the direction of the arrow and then press the pedal (fig_a). At the same time take hold of the seat and fold it by pulling it upwards (fig_b). The high chair is freestanding when folded up.
 - 13 **REMOVING THE COVERS:** to remove the high chair covers, unthread the harness straps from the backrest (fig_a) and from the seat (fig_b). Fully recline the seat to unbutton the covers from the sides of the backrest (fig_c), unbutton from the inside of the armrests, and slide the cover upwards to remove it.
 - 14 **PACKING POSITION:** in order to return the high chair to its "packing position" (for transport purposes, or to put it back into its box), proceed as follows (a small screwdriver is required). Remove the tray, move the backrest into the upright position, lower the seat to the lowest position, and close the footrest. Press the side button (fig_a), at the same time inserting the screwdriver into the slot, and push towards the right (fig_b). Repeat the same operation on the other side (fig_c), pushing the screwdriver towards the left (fig_d) and lower the seat to the bottom (the non-usable position). Then fold up the high chair and put it into its box.

CLEANING AND MAINTENANCE

PRODUCT MAINTENANCE: protect from the weather: water, rain, or snow; prolonged and continuous exposure to bright sunlight may give rise to colour changes of various different materials; store this product in a dry place.

CLEANING THE CHASSIS: periodically clean all plastic parts with a damp cloth. Do not use solvent or similar cleaning products; keep all metal parts dry to prevent rusting; keep moving parts clean (adjustment mechanisms, locking mechanisms, wheels, ...) and free of dust and sand and, if necessary, lubricate with light machine oil.

CLEANING THE SACK: Wash with a damp cloth and neutral detergent. Do not wring. Do not use chlorine bleach. Do not iron. Do not dry clean. Do not use solvents for stain removal. Do not spin dry.



PEG-PÉREGO S.p.A.

Peg Pérego can make changes at any time to the models described in this publication for technical or commercial reasons.

PEG-PÉREGO AFTER-SALES SERVICE

If any parts of your Peg Pérego product should be accidentally mislaid or damaged, use exclusively genuine original Peg Pérego replacements. For any repairs, replacements, product information, and orders for genuine

original replacement parts and accessories, contact Peg Pérégo After-Sales Service:

CANADA

tel. 905.839.3371 **fax** 905.839.9542

call us toll free 1.800.661.5050 **website** www.pegperego.com

USA

tel. 800.671.1701 **fax** 260.471.6332

call us toll free 1.800.671.1701 **website** www.pegperego.com

This document was created with Win2PDF available at <http://www.win2pdf.com>.
The unregistered version of Win2PDF is for evaluation or non-commercial use only.
This page will not be added after purchasing Win2PDF.