

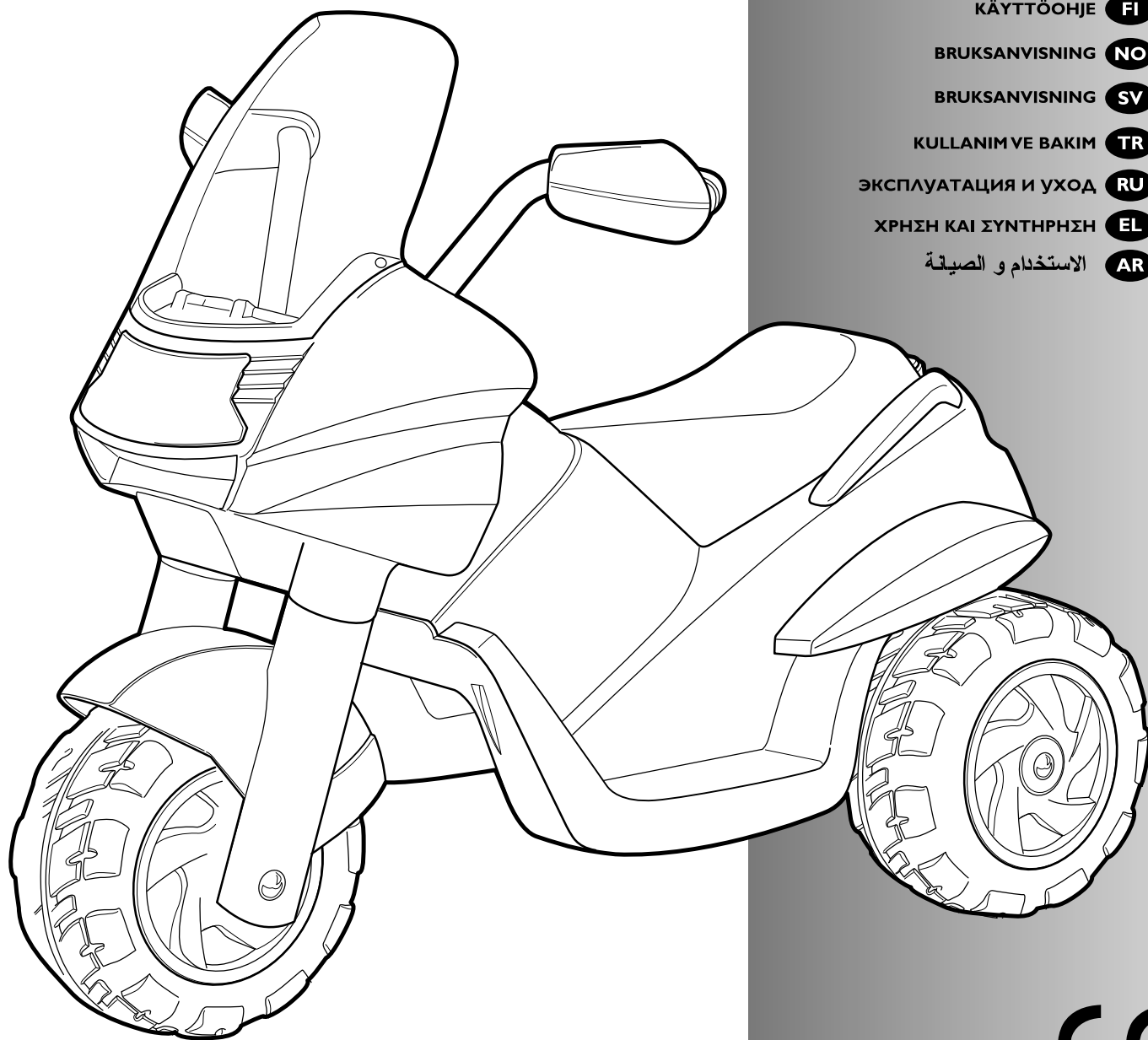
**6
VOLT**

DUCATI 1098

cod. IGED0913

Peg-Pérego

made in italy



USO E MANUTENZIONE **IT**

USE AND CARE **EN**

UTILISATION ET ENTRETIEN **FR**

GEBRAUCH UND WARTUNG **DE**

EMPLOYO Y MANUTENCION **ES**

USO E MANUTENÇÃO **PT**

UPORABA IN VZDRŽEVANJE **SL**

BRUGSANVISNING **DA**

KÄYTTÖOHJE **FI**

BRUKSANVISNING **NO**

BRUKSANVISNING **SV**

KULLANIM VE BAKIM **TR**

ЭКСПЛУАТАЦИЯ И УХОД **RU**

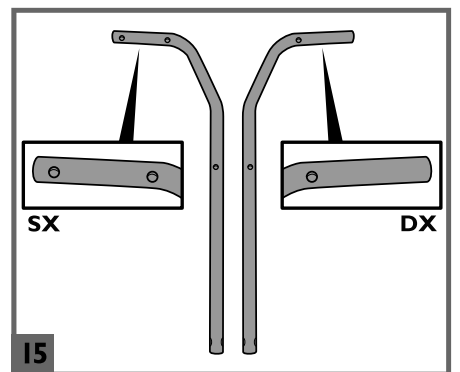
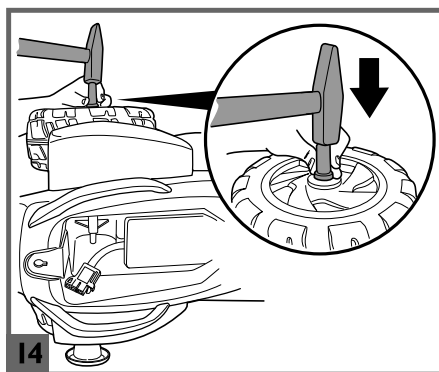
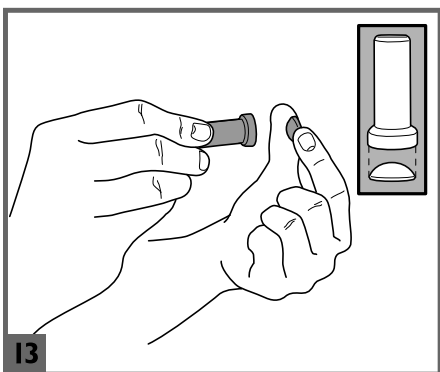
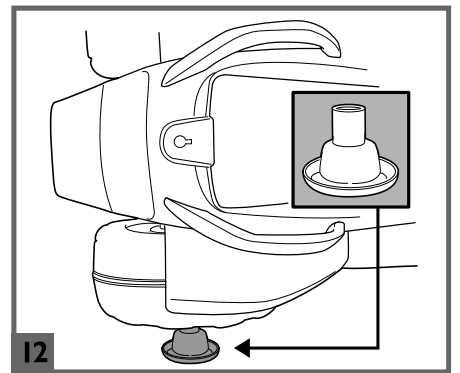
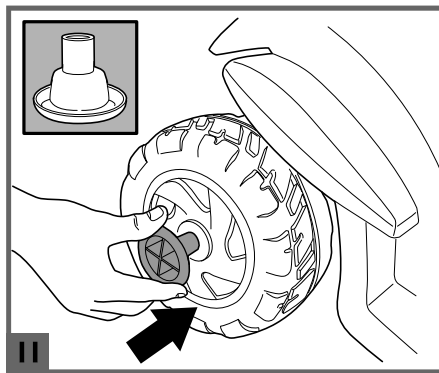
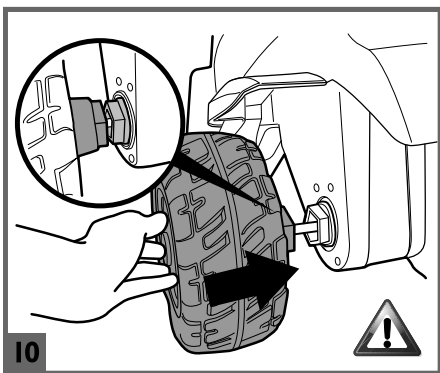
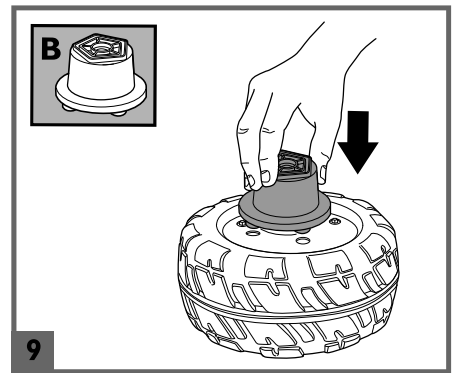
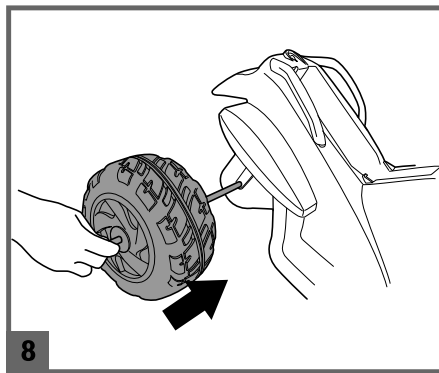
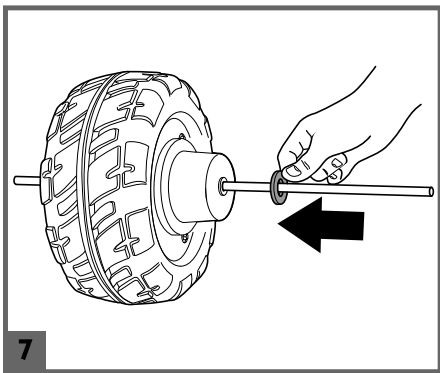
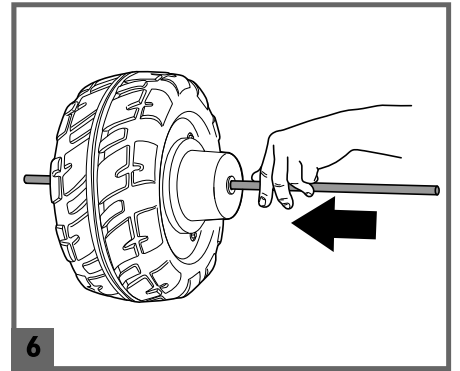
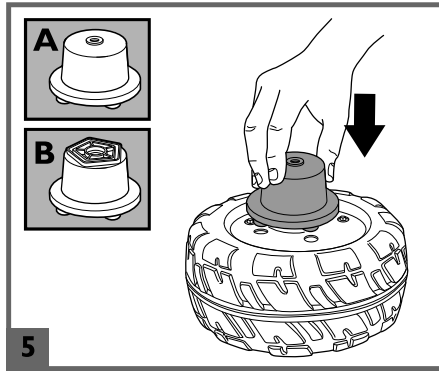
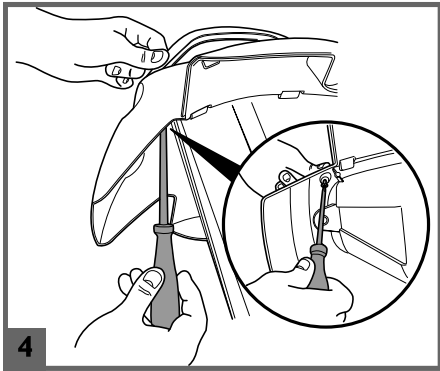
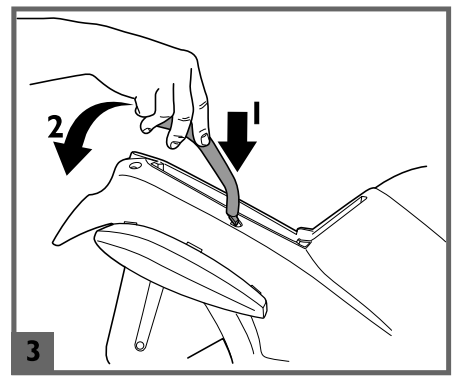
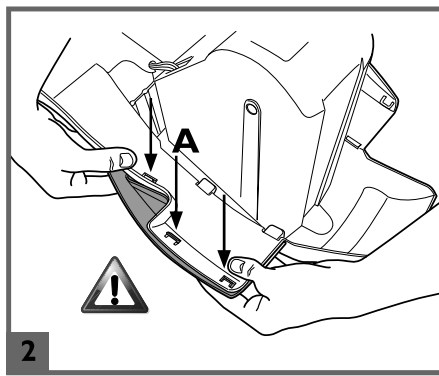
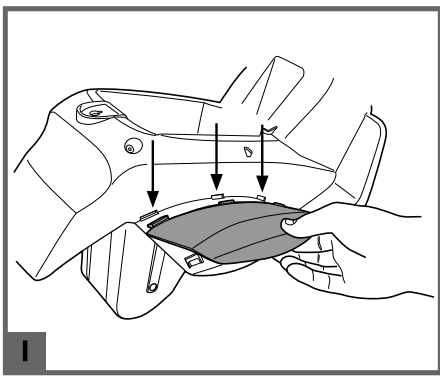
ΧΡΗΣΗ ΚΑΙ ΣΥΝΤΗΡΗΣΗ **EL**

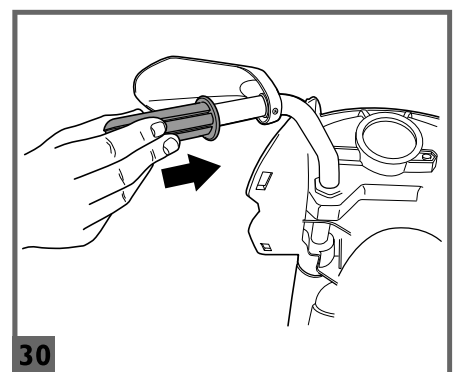
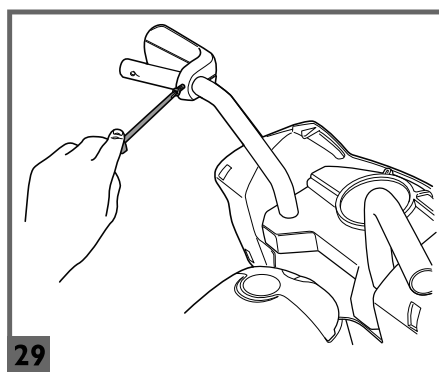
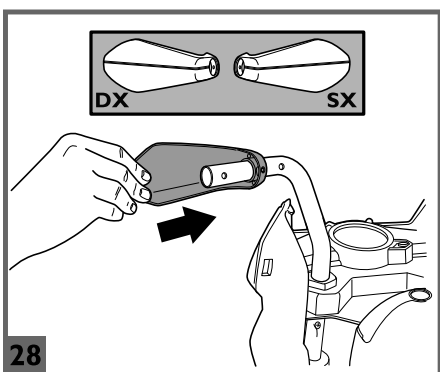
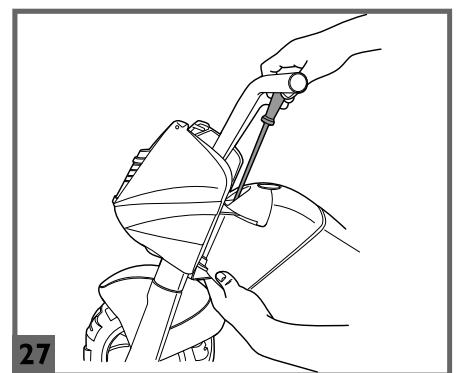
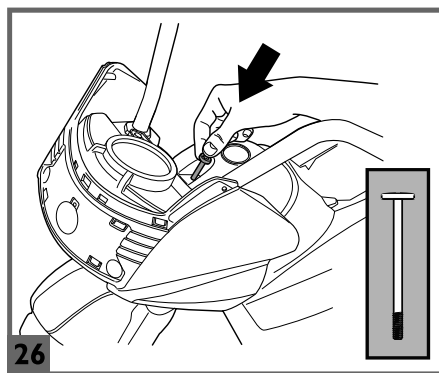
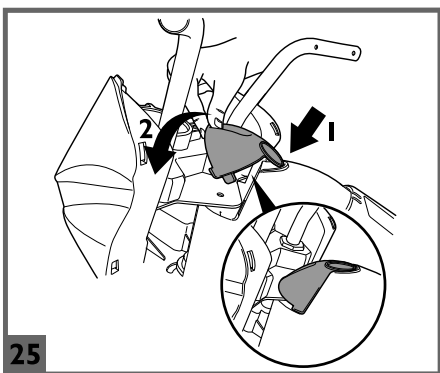
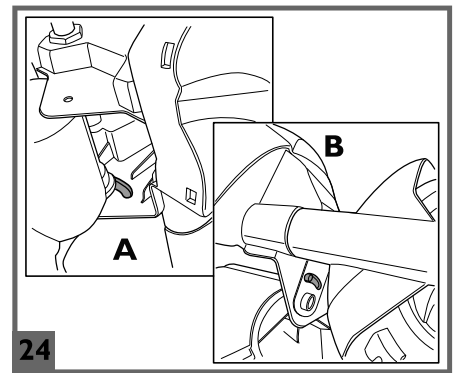
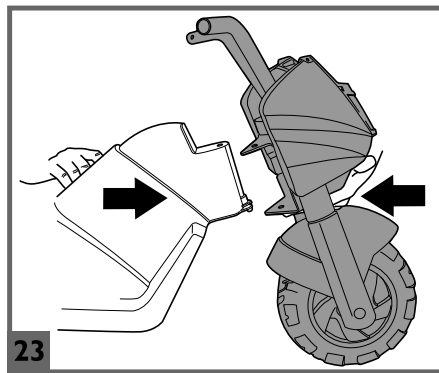
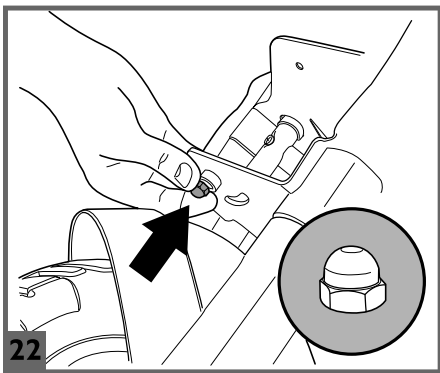
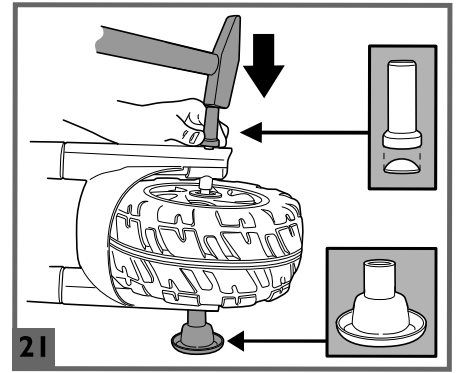
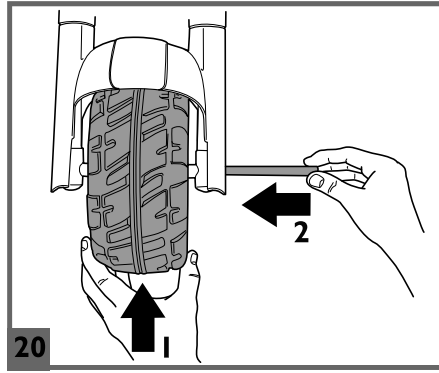
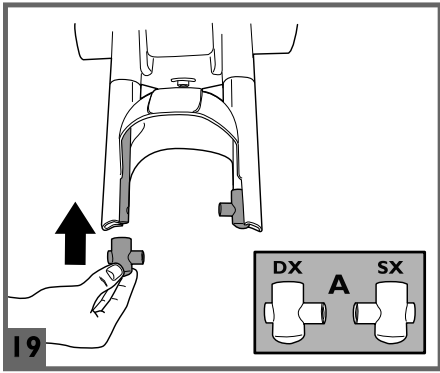
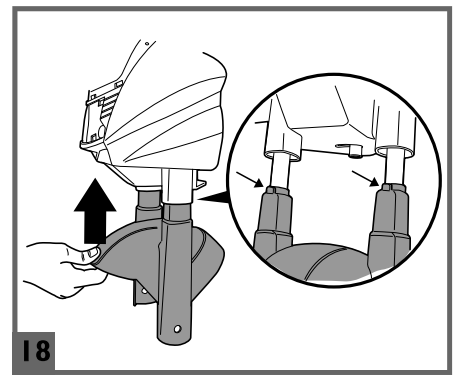
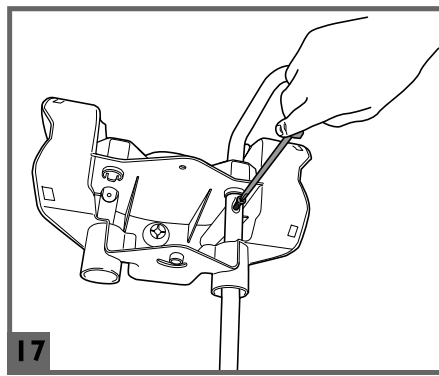
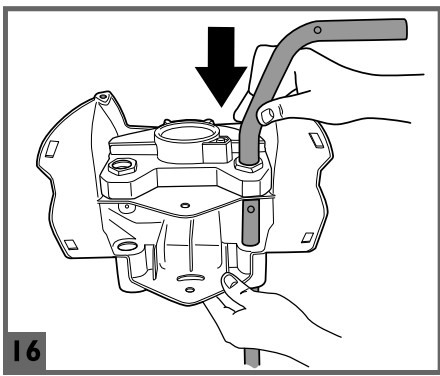
الاستخدام و الصيانة **AR**

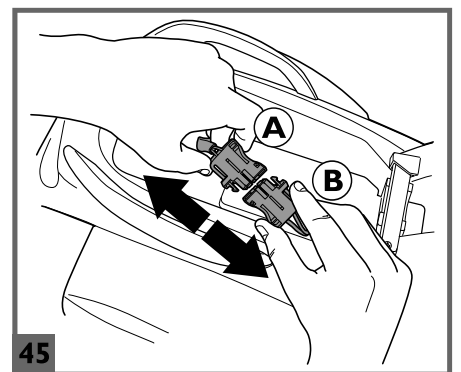
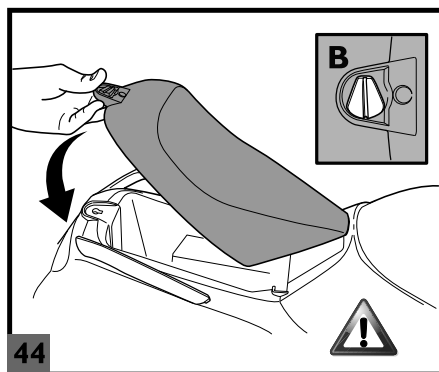
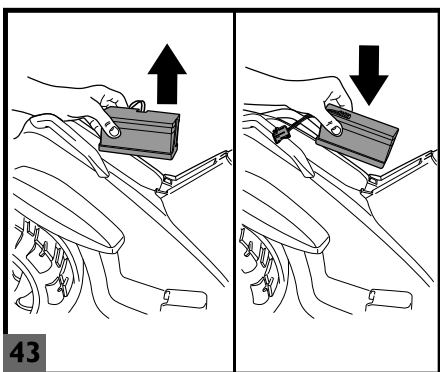
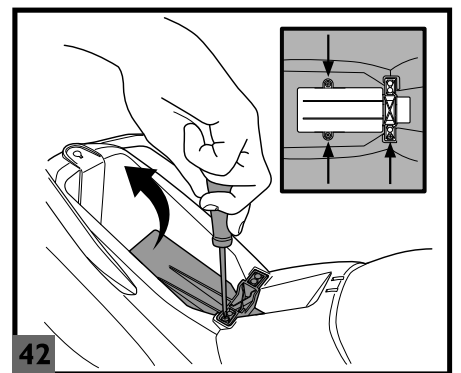
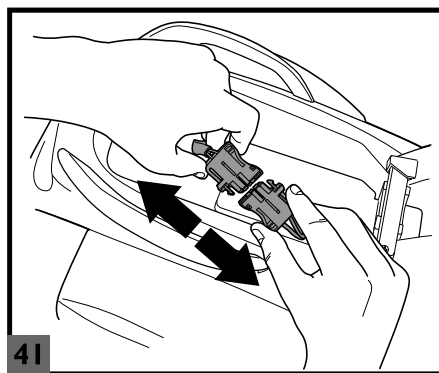
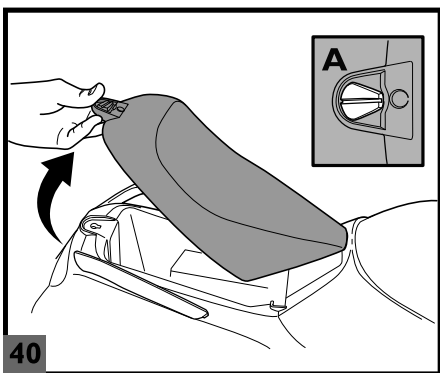
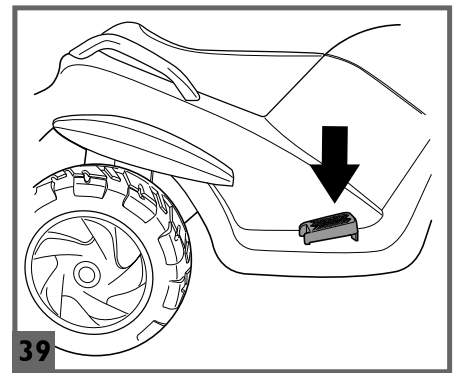
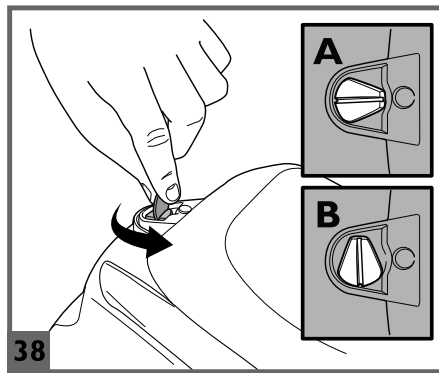
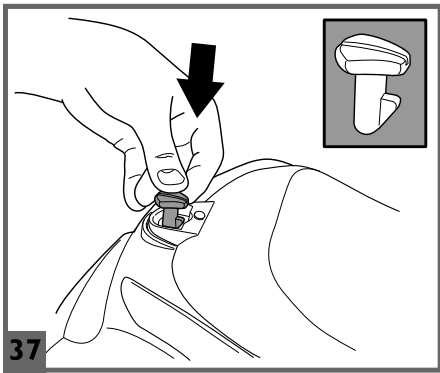
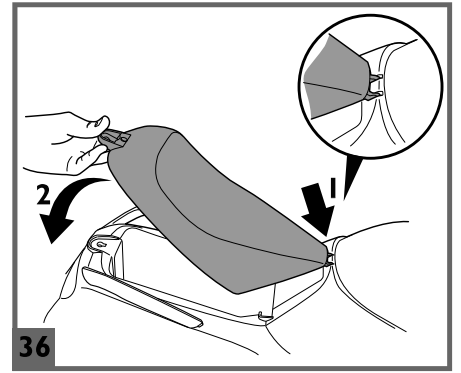
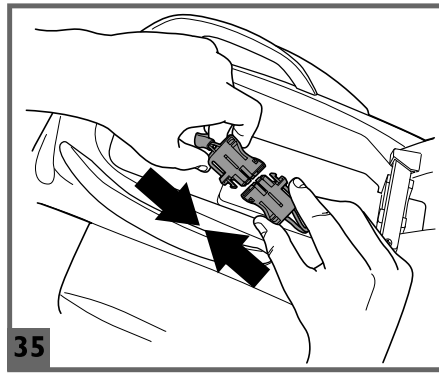
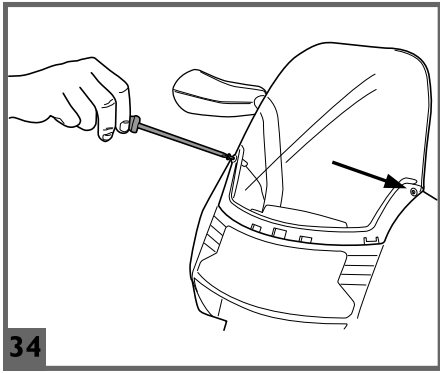
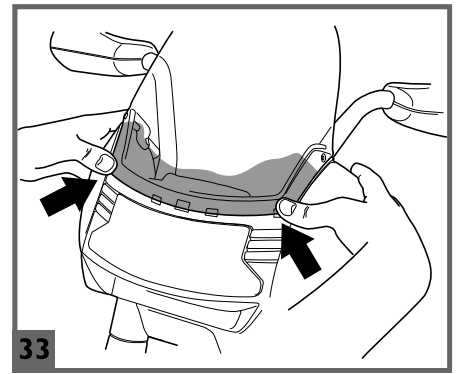
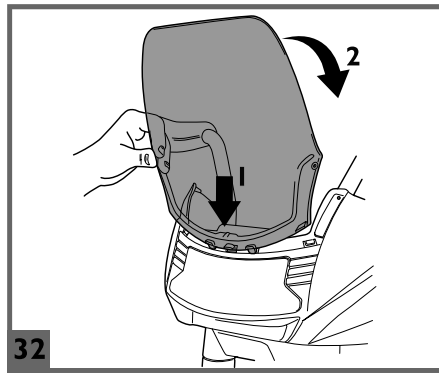
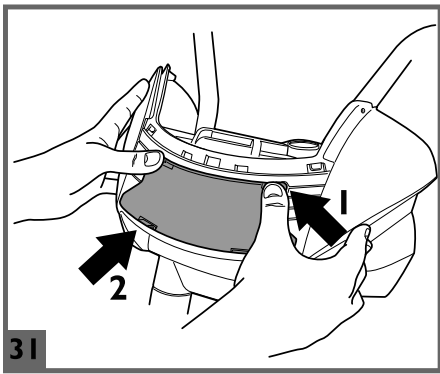


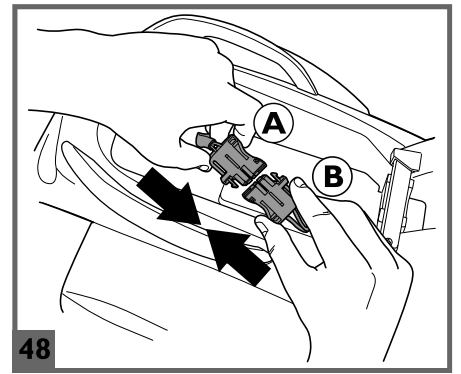
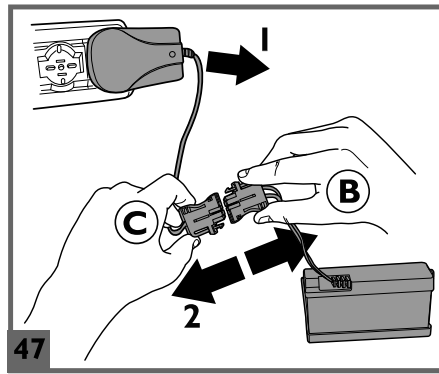
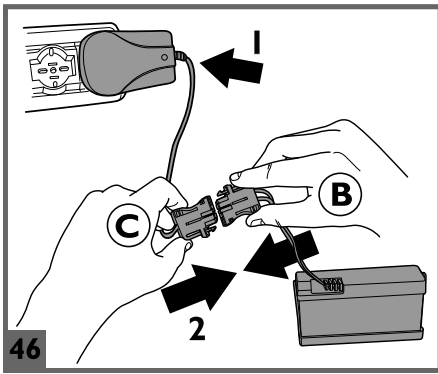
F1000902G140



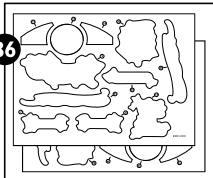
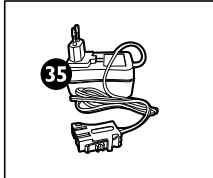
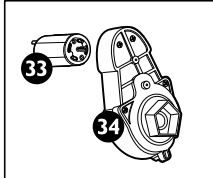
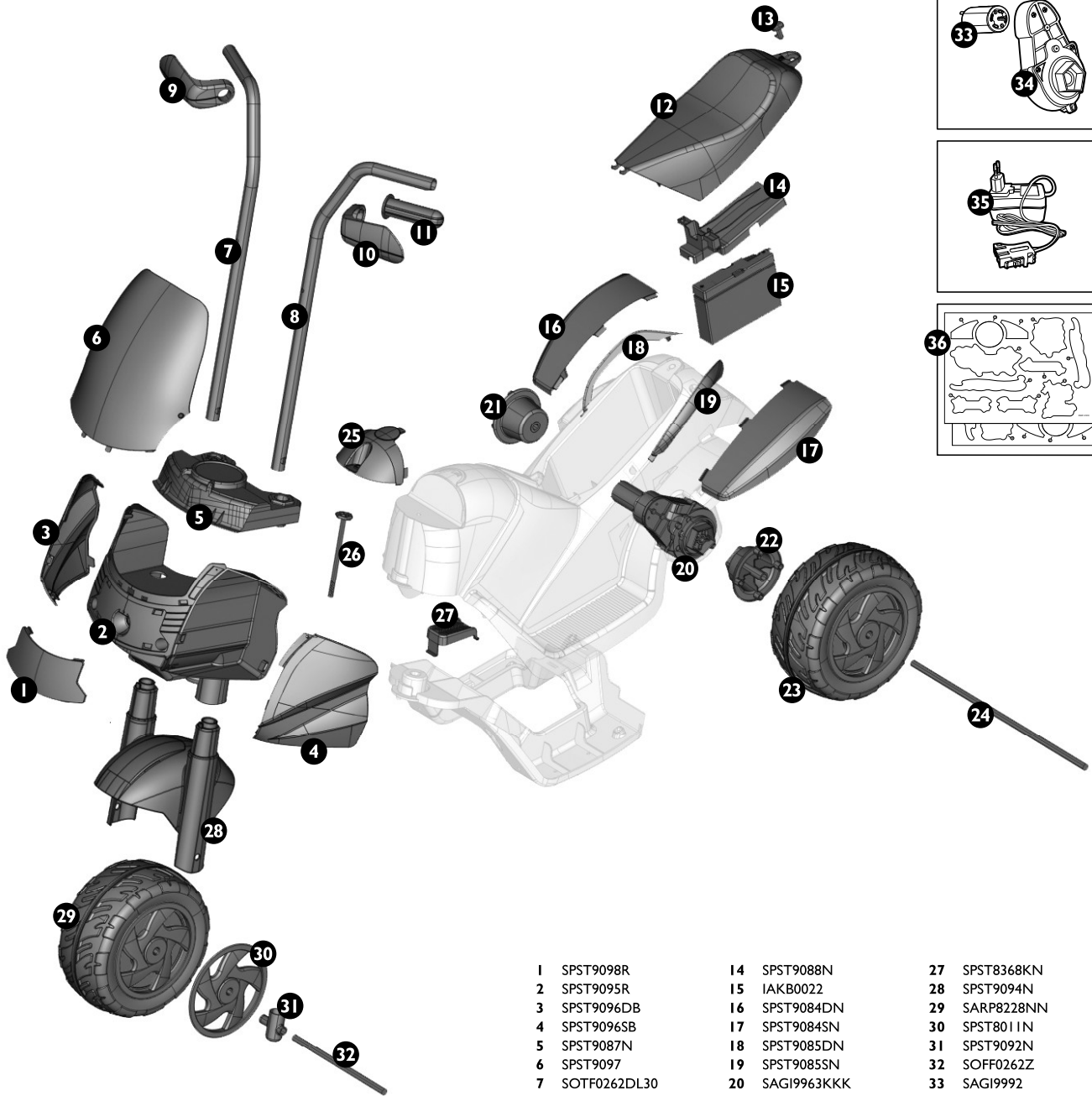








RAIDER cod.IGED0910/IGED0911/IGED0912



- | | | |
|----------------|----------------|---------------|
| 1 SPST9098R | 14 SPST9088N | 27 SPST8368KN |
| 2 SPST9095R | 15 IAKB0022 | 28 SPST9094N |
| 3 SPST9096DB | 16 SPST9084DN | 29 SARP8228NN |
| 4 SPST9096SB | 17 SPST9084SN | 30 SPST8011N |
| 5 SPST9087N | 18 SPST9085DN | 31 SPST9092N |
| 6 SPST9097 | 19 SPST9085SN | 32 SOFF0262Z |
| 7 SOTF0262DL30 | 20 SAGI9963KKK | 33 SAGI9992 |
| 8 SOTF0262SL30 | 21 SPST9100N | 34 SAGI3635K |
| 9 SPST9099DR | 22 SPST9101N | 35 IKCB |
| 10 SPST9099SR | 23 SARP8229JNN | 36 MMEV0639 |
| 11 SPST9089N | 24 SOFF0261Z | |
| 12 SPST9083N | 25 SPST9093R | |
| 13 SPST8500RC | 26 MMST0023 | |

ENGLISH

Thank you for choosing a PEG PEREGO® product. For over 50 years PEG PEREGO have been with you as you take your children out - in carriages just after they are born, then in strollers, and later on in pedal and battery-powered toys

Discover our complete range of products, news and other information about the Peg Perego world on our web site.

www.pegperego.com

IMPORTANT INFORMATION

Read this instruction manual carefully to learn how to use the vehicle and teach your child to drive it properly and safely while enjoying it at the same time. Keep the manual safe for future reference.

Before using the vehicle for the first time, charge the battery for 18 hours. Failure to do this could result in irreparable damage to the battery.

- **Ages 2+**
- One-seat vehicle
- One 6V 3,3Ah sealed lead acid rechargeable battery
- One drive wheel
- One 60W motor
- Speed in 1st gear 4 km/h - 2.5 MPH

Peg Perego reserve the right to make changes to the models and information in the present publication at any time, for technical or company reasons.

DECLARATION OF CONFORMITY

PRODUCT NAME
Ducati 1098

PRODUCT IDENTIFICATION CODE
IGED0913

REFERENCE STANDARD (origin)
General Toy Safety Directive 88/378/EEC
Standard EN 71 / 1 -2 -3 -9
Standard EN62115

Electromagnetic Compatibility Directive
2004/108/EC
Standard EN55022 – EN55014

European Directive WEEE 03/108/EC
European Directive RoHS 2002/95/EC
Phthalates Directive 2005/84/EC

The vehicle is not compliant with the requirements of road transport standards and consequently cannot travel on public roads.

DECLARATION of CONFORMITY

Peg Perego S.p.A. declares under its own responsibility that the item in question has been subjected to internal operational tests and approved according to the standards in force at external, independent laboratories.

PLACE AND DATE OF ISSUE
Italy - 15.04.2009

Peg Perego S.p.A. via A. De Gasperi 50
20043 Arcore (MI) – ITALIA

SAFETY STANDARDS

Our toys are compliant with European Safety Standards for toys (safety requirements stipulated by the EEC Council) and with the "U.S. Consumer Toy Safety Specification". They are approved by the I.I.S.G. (Italian Toy Safety Institute). They are not compliant with the requirements of road transport standards and consequently cannot travel on public roads.



Peg Perego S.p.A. is ISO 9001 certified.

This certification provides customers and consumers with a guarantee of transparency and assurance about the company's working procedures.

WARNING! THE SUPERVISION OF AN ADULT IS ALWAYS NECESSARY.

- A child must be 2 years of age or older for the necessary coordination and maturation to operate this motorized vehicle safely.
- Do not use the vehicle on public roads, in places where there is traffic or parked cars, on steep slopes, near to steps and stairs, watercourses or swimming pools.
- Children must always wear shoes when using the vehicle.
- When the vehicle is in operation make sure that children do not put their hands, feet, other body parts, clothing, or other objects close to the moving parts.
- Never wet sensitive vehicle components like the motors, electrical systems, buttons, etc.
- Do not use petrol or other flammable substances close to the vehicle.
- The vehicle must be only used by a single child unless it is classed as a two-seater vehicle.

WEEE DIRECTIVE (EU only)

- At the end of its useful life, this product is classed as Waste Electrical and Electronic Equipment (WEEE) and must therefore not be disposed of as urban waste but instead taken to a designated separated waste collection facility.
- Take it to an appropriate collection centre.
- The presence of dangerous substances contained in the electrical components of this product represents a potential source of danger to human health and for the environment if the products are not disposed of correctly.
- The barred dustbin symbol indicates that the product must undergo sorted waste collection.



DISPOSAL OF THE BATTERY

- Help protect the environment.
- Used batteries must not be disposed of with domestic waste.
- They can be left at a used battery or special waste collection centre. Contact your local authorities for more information.



BATTERY WARNINGS

Battery charging must be carried out and supervised by adults only.
Do not allow children to play with the battery.

CHARGING THE BATTERY

- Charge the battery according to the instructions enclosed with the battery charger and never for more than 24 hours.
- To avoid damage, the battery should be charged as soon as the vehicle starts to lose speed.
- If the vehicle is left unused for a long time, remember to charge the battery and to keep it disconnected from the electrical system. Repeat the recharge procedure at least once every three months.
- The battery must not be charged upside-down.
- Do not forget about the battery which is being charged! Check it from time to time.
- Only use the battery charger provided and the original PEG PEREGO battery.
- The battery is sealed and does not require maintenance.

WARNING

- THE BATTERY CONTAINS CORROSIVE TOXIC SUBSTANCES.
DO NOT TAMPER WITH IT.
- The battery contains acid-based electrolytes.
- Do not create direct contact between the battery terminals, avoid strong impacts: risk of explosion and/or fire.
- While charging, the battery produces gas. Charge the battery in a well-ventilated environment, away from sources of heat and flammable materials.
- The flat battery must be removed from the vehicle.
- It is not advisable to bring the battery into contact with clothes, as it could damage them.
- Only use the recommended type of battery or an equivalent type.

IF THERE IS A BATTERY LEAK

Protect your eyes. Avoid direct contact with the electrolyte. Protect your hands.
Put the battery in a plastic bag and follow the instructions for battery disposal.

IF SKIN OR EYES COME INTO CONTACT WITH THE ELECTROLYTE

Thoroughly rinse the area concerned with running water.

Consult a doctor immediately.

IF THE ELECTROLYTE IS SWALLOWED

Rinse the mouth and spit out the water.
Consult a doctor immediately.

MAINTENANCE AND VEHICLE CARE

- The toy should not be left anywhere with a temperature below 0°C. If it were to be used without being warmed up to a temperature above 0°C, irreversible damage could be caused to the motors and batteries.
- Check the condition of the vehicle regularly, paying particular attention to the electrical system, the plug connections, the terminal protectors and the battery charger. If defects are identified, the electrical vehicle and the battery charger must not be used. For repairs use only original PEG PEREGO spare parts.
- PEG PEREGO do not accept any responsibility for cases of tampering with the electrical system.
- Do not leave the batteries or the vehicle close to sources of heat like radiators, fireplaces, etc.
- Protect the vehicle from water, rain, snow, etc. Using the vehicle on sand or mud may damage the buttons, motors and gears.
- Lubricate moving parts like bearings, steering, etc. periodically with light oil.
- The vehicle surfaces can be cleaned with a damp cloth and, if necessary, with non-abrasive domestic cleaning products.
- Cleaning must only be carried out by adults.
- Never dismantle the vehicle mechanisms or motors, unless authorized by PEG PEREGO.

RULES FOR SAFE DRIVING

For the safety of the child, before starting up the vehicle read and carefully follow the following instructions.

- Teach the child how to use the vehicle properly for safe and enjoyable driving.
- Before starting, check that there are no people or objects obstructing the vehicle's path.
- Drive with hands on the handlebars/steering wheel and always watch the road ahead.
- Brake in good time to avoid collisions.

2nd GEAR (if present)

Initially, use in 1st gear is recommended. Before enabling 2nd gear, check that the child has learned to use the handlebars/steering wheel, 1st gear and the brake correctly, and has become familiar with the vehicle.

WARNING!

- Check that all the wheel fixing studs/nuts are fastened properly.
- If the vehicle is overloaded, as can happen on soft sand, mud, or very uneven ground, the overload switch will immediately disconnect the power. The power supply will be restored after a few seconds.
- Only for 12 and 24 Volt vehicles: in first gear the vehicle has a differential effect like a real motor vehicle; on smooth terrain and with just one child on board, the two wheels can turn at different speeds and they can slip and slow down.

UNINTERRUPTED FUN: Keep a spare set of charged batteries ready for use.

PROBLEMS?

THE VEHICLE DOES NOT WORK?

- Check that there are no disconnected cables under the accelerator plate.
- Check the operation of the accelerator button and replace it if necessary.
- Check that the battery is connected to the electrical system.

THE VEHICLE LACKS POWER?

- Charge the batteries. If after charging the problem persists, have the battery and charger checked by an assistance centre.

ASSISTANCE SERVICE

Peg Perego offers an after-sales assistance service, directly or through a network of authorized assistance centres, for any repairs or replacements and the sale of original spare parts. To contact the assistance centres refer to the "Assistance Centres" booklet included in the packaging.

Peg Perego always strive to best satisfy their customers' needs. Knowing the opinions of our customers is therefore very important and valuable to us. We would be very grateful if, once you have used the product, you would fill out the CONSUMER SATISFACTION QUESTIONNAIRE which you can find on the internet at: www.pegperego.com, making any observations or suggestions you might have.

ASSEMBLY INSTRUCTIONS

WARNING

ASSEMBLY MUST ONLY BE CARRIED OUT BY ADULTS. TAKE CARE WHEN REMOVING THE VEHICLE FROM ITS PACKAGING. ALL THE SCREWS AND SMALL PARTS ARE CONTAINED IN A BAG INSIDE THE PACKAGING. THE BATTERY MAY ALREADY BE FITTED INSIDE THE ITEM.

ASSEMBLY

- 1 • Clip the rear mudguard into place by inserting the 3 tabs in the slots in the bodywork shown by the arrows.
- 2 • Turn the body work upside down and attach the mudguard to it by pressing it, making sure the centre tab is inserted first (A).
 - Repeat steps 1 and 2 on the other side.
- 3 • Insert the handle in the hole in the bodywork (1) and turn it downwards (2). PLEASE NOTE: The two handles are different. Position them with the flat side facing the saddle.
- 4 • Turn the bodywork over to access the underside and attach the handle with the screw provided.
 - Repeat steps 3 and 4 with the other handle.
- 5 • Place bushing A on one of the two wheels with only one hubcap, lining the 4 pins up with the holes.
- 6 • Insert the long metal axle into the wheel.
- 7 • Slide a washer onto the axle.
- 8 • Insert the axle with the wheel and washer in the hole on the right hand side of the bodywork, as shown in the figure.
- 9 • Place the remaining bushing (B) on the other wheel with only one hubcap.
- 10 • Insert the wheel on the axle on the left hand side of the bodywork, making sure the wheel bushing is properly fitted into the pentagon on the trike.
- 11 • Place the red tool on one of the two ends of the axle.
- 12 • Turn over the bodywork, keeping the red tool underneath.
- 13 • Insert a stud in the black tool.
- 14 • Put it on the other end of the axle as shown in the figure and use a hammer to secure the wheel with the stud.
 - Turn the trike over and repeat the procedure to secure the other wheel.
- 15 • Look closely at the handlebar tubes to ensure they are fitted properly. The left hand tube (marked SX) has two holes in the upper section, unlike the right hand one (marked DX).
- 16 • Insert the right tube in the right hand side of the front section, as shown in the figure.
- 17 • Secure it with the screw provided.
 - Repeat steps 16 and 17 with the left tube.
- 18 • Insert the front mudguard onto the handlebar tubes, positioning it as shown in the figure. PLEASE NOTE: The mudguard is fitted with two tabs that prevent it from being fully attached if it is inserted incorrectly.
- 19 • Insert the caps in the handlebar tubes, positioning them as shown in figure A.
- 20 • Insert the wheel between the tubes and line up all the holes. Insert the short metal axle.
- 21 • Put the red tool in place and turn over the entire handlebar unit, keeping the red tool underneath.
 - Insert a stud in the black tool and secure the wheel as shown in the figure.
 - Turn the handlebar unit onto the other side and repeat the procedure to secure the wheel there too.
- 22 • Attach the nut provided under the front section.
- 23 • Attach the handlebar unit to the bodywork, ensuring that the clip locks into place in the part below the front section (see the details in the following picture).
- 24 • The clip has to lock into the curved slot, as shown in detail in the figure (A: view from above - B: view from below).
- 25 • Attach the tank cover by clipping into place the 3 tabs in the bodywork, as shown in the figure.
- 26 • Insert the threaded pin.
- 27 • Fasten the threaded pin to attach the handlebar unit to the bodywork, holding the nut under the front section still with the other hand.
- 28 • Insert the hand guard marked DX on the right handlebar tube and the hand guard marked SX on the left handlebar tube. The picture shows how to fit the hand guard marked SX.
- 29 • Secure the hand guards with the screws provided.
- 30 • Wet the inside of the rubber grip to make it easier to slide onto the handlebar tube. The rubber grips are identical and can go on the right or left side.
- 31 • Clip the headlight into place, pressing first on the

- upper part and then on the lower part.
- 32 • Insert the windshield into the upper part of the front section.
- 33 • Press the windshield against the front section in the points shown in the figure.
- 34 • Attach the windshield with the two screws provided.
- 35 • Connect the electrical system plug to the battery.
- 36 • Insert the front part of the saddle in the bodywork (1), then pull it down (2).
- 37 • Push the locking clip all the way down in the hole at the rear of the saddle.
- 38 • Turn the locking clip to position B to secure the saddle.

FEATURES AND USE OF THE VEHICLE

- 39 • The vehicle is ready for use. With both hands on the handlebar, press the accelerator pedal with your foot.

REPLACING THE BATTERY

- 40 • Turn the locking clip to position A to release the saddle. Remove the saddle.
- 41 • Disconnect the electrical system plug from the battery.
- 42 • Unfasten the screw on the battery holder. Remove the battery holder.
- 43 • Replace the flat battery with another battery that has been charged for at least 14 hours. PLEASE NOTE: Replacement batteries are only sold with electrical power of 6V/8Ah. This does not affect the operation of the vehicle.
- 44 • Replace the battery holder and secure it with the screw. Reconnect the plugs. Replace the saddle and turn the locking clip to position B.
 - WARNING: After working inside the battery compartment, always remember to secure the components with the screw and clip.

CHARGING THE BATTERY

WARNING: BATTERY CHARGING AND ANY OTHER WORK ON THE ELECTRICAL SYSTEM MUST BE CARRIED OUT BY ADULTS. THE BATTERY CAN ALSO BE CHARGED WITHOUT REMOVING IT FROM THE TOY.

- 45 • Disconnect plug A of the electrical system from the battery plug B by pressing the sides.
- 46 • Plug the battery charger into a domestic power supply, following the instructions provided with it. Connect plug B to the battery charger plug C.
- 47 • When charging is complete, unplug the battery charger from the domestic socket and then disconnect plug C from plug B.
- 48 • Push plug B into plug A until it clicks into place. After completing the procedure, always remember to replace and secure the saddle.

This document was created with Win2PDF available at <http://www.win2pdf.com>.
The unregistered version of Win2PDF is for evaluation or non-commercial use only.
This page will not be added after purchasing Win2PDF.