



FIUS0901G135



- EN** USE AND CARE
- ES** EMPLEO Y MANUTENCION
- FR** UTILISATION ET ENTRETIEN



6V

Lil' Red Tractor

Model Number IGED1068

SEE VERBAL INSTRUCTIONS
AFTER THE PICTURES

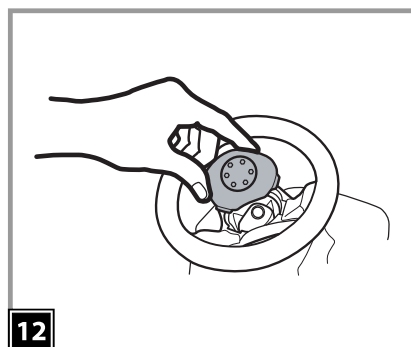
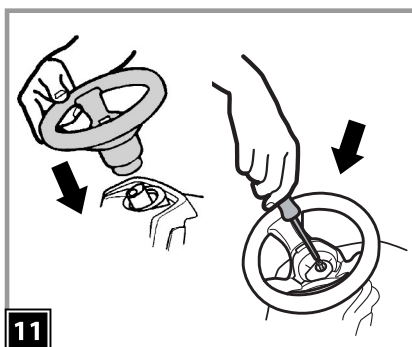
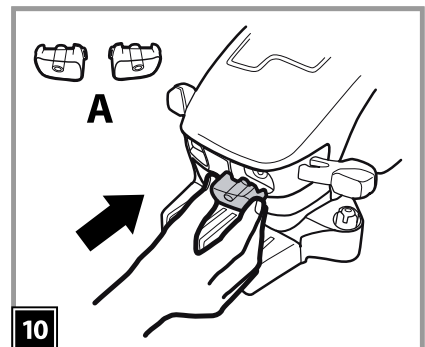
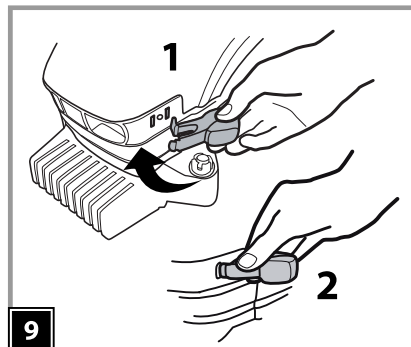
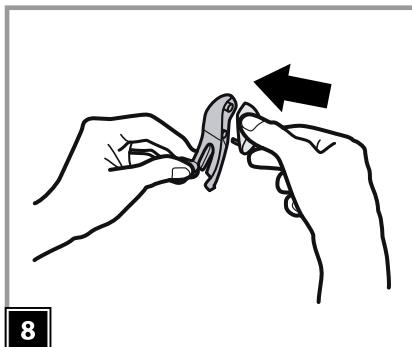
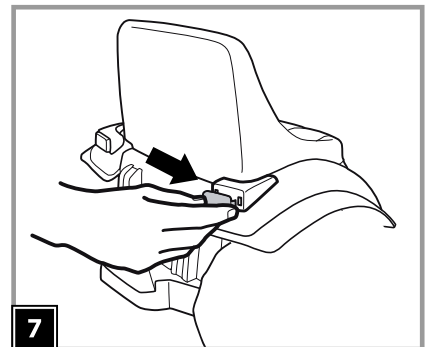
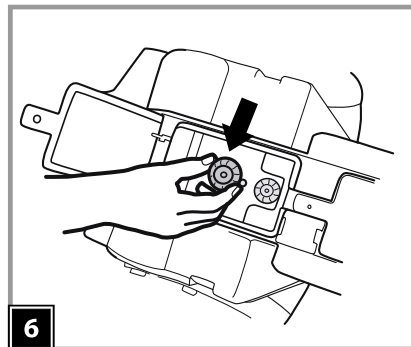
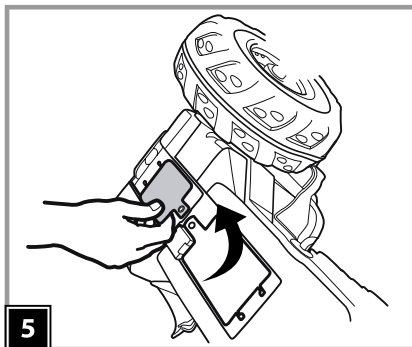
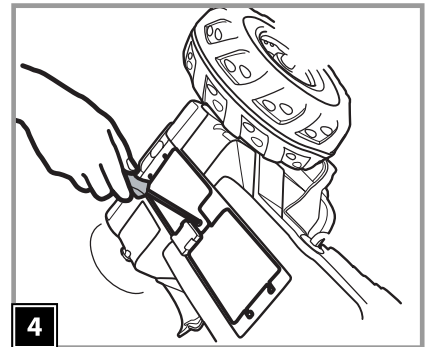
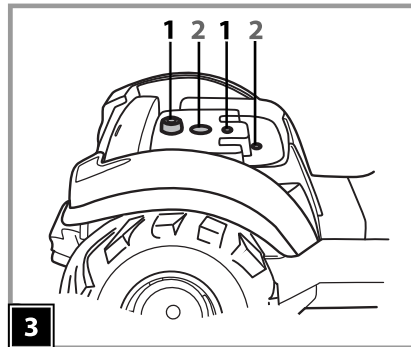
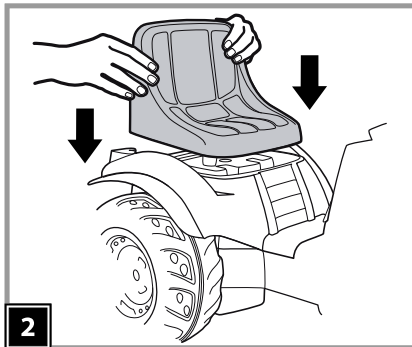
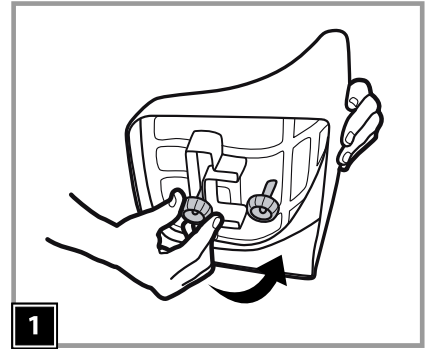
VER LAS INSTRUCCIONES
DESPUÉS DE LOS DISEÑOS

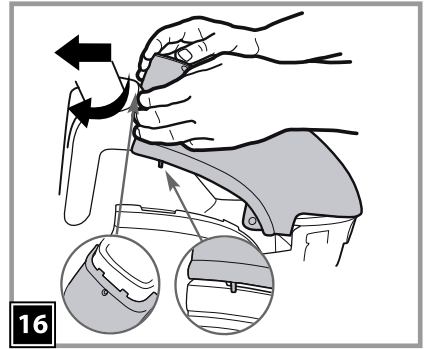
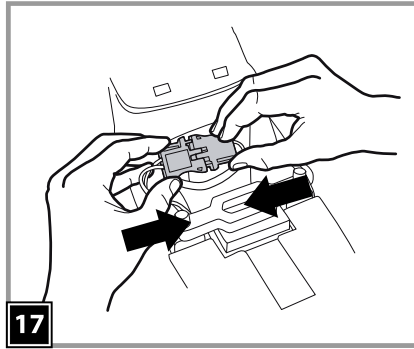
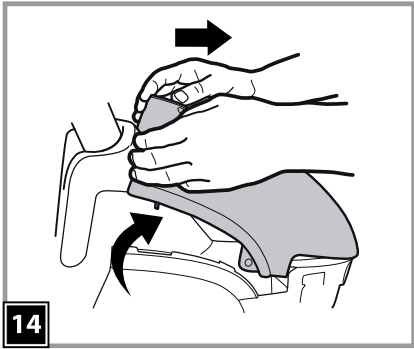
VOIR LES INSTRUCTIONS
APRÈS LES DESSINS

ASSEMBLY

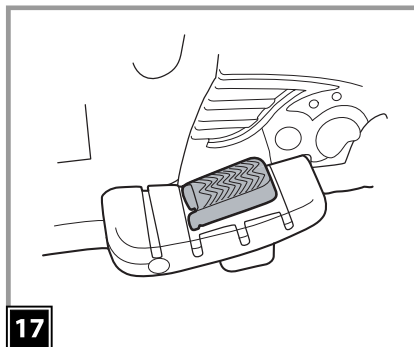
MONTAJE

MONTAGE

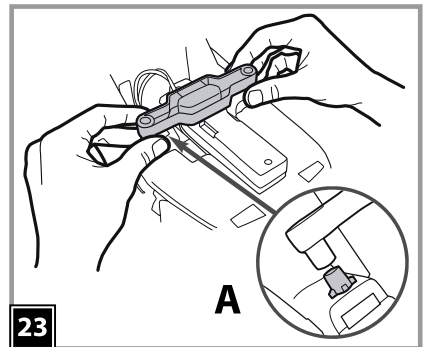
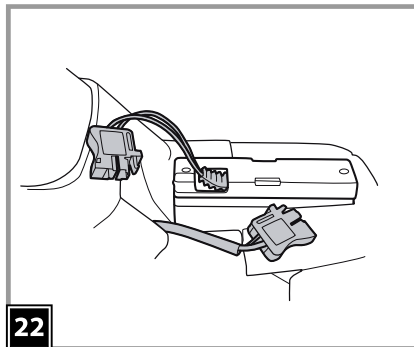
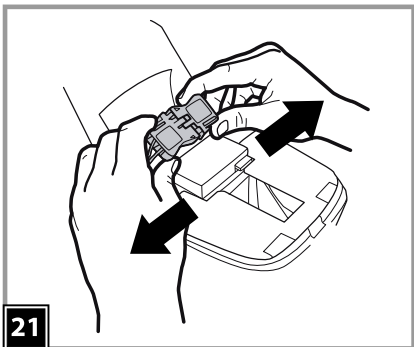
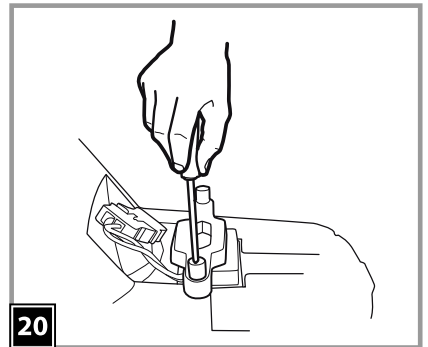
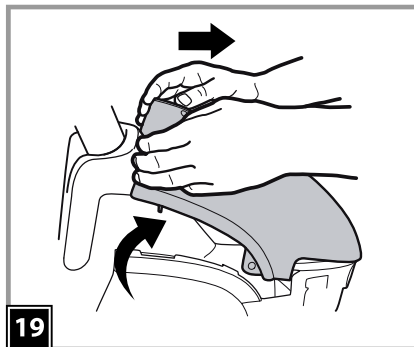




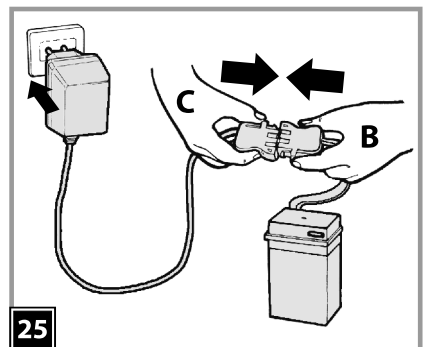
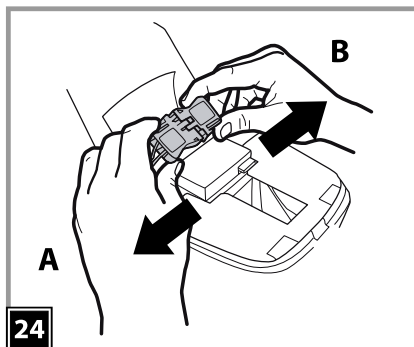
VEHICLE FEATURES AND INSTRUCTIONS FOR USE
CARACTERÍSTICAS Y USO DEL VEHÍCULO
CARACTÉRISTIQUES ET UTILISATION DU VEHICULE

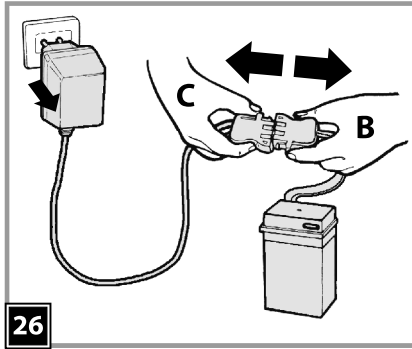


REMOVING THE BATTERY
CAMBIO DE LA BATERÍA
REPLACEMENT DE LA BATTERIE

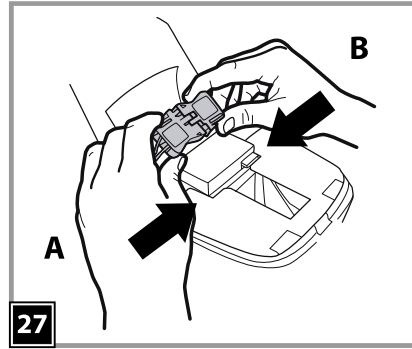


BATTERY RECHARGE
CARGA DE LA BATERÍA
CHARGE DE LA BATTERIE

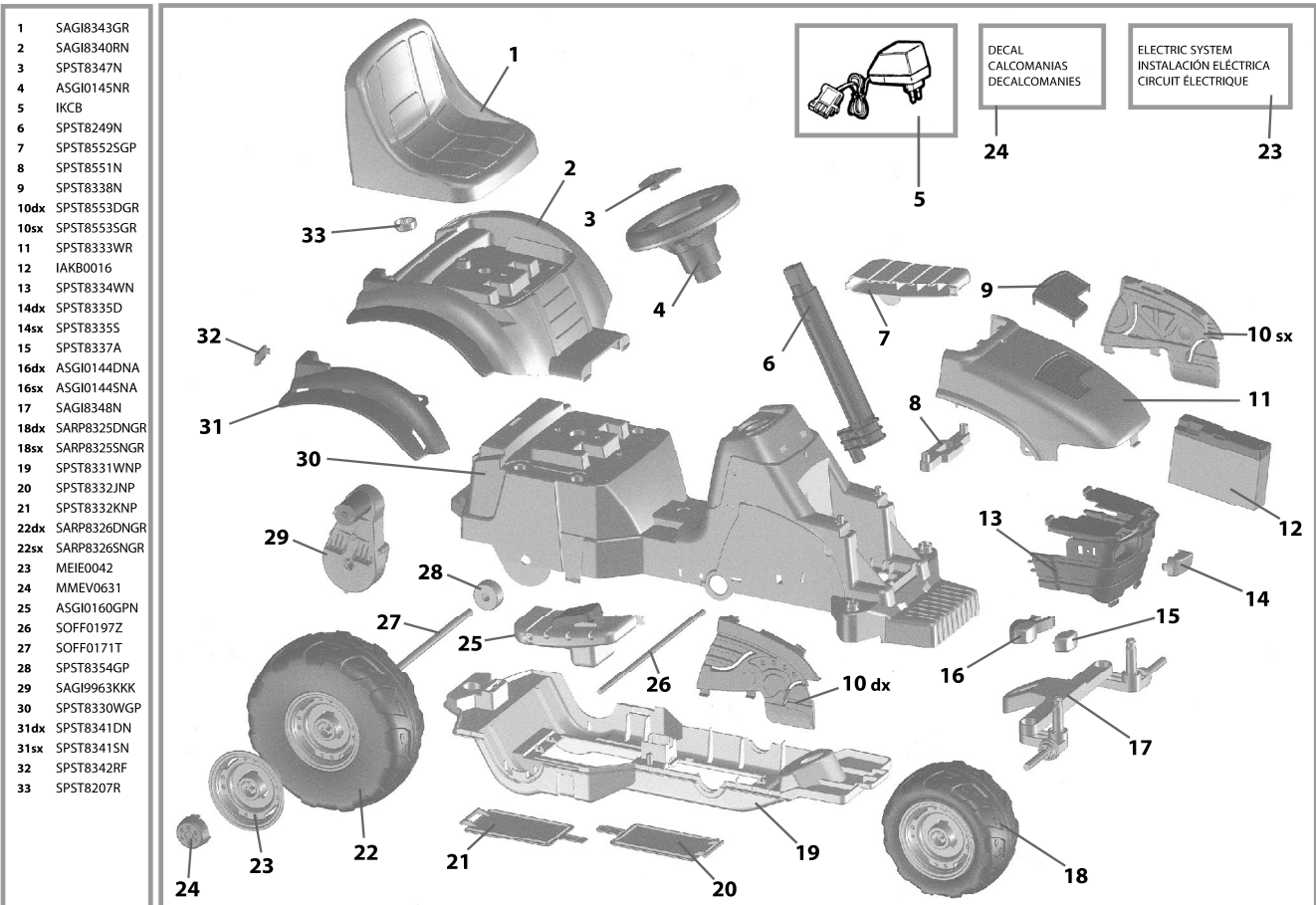
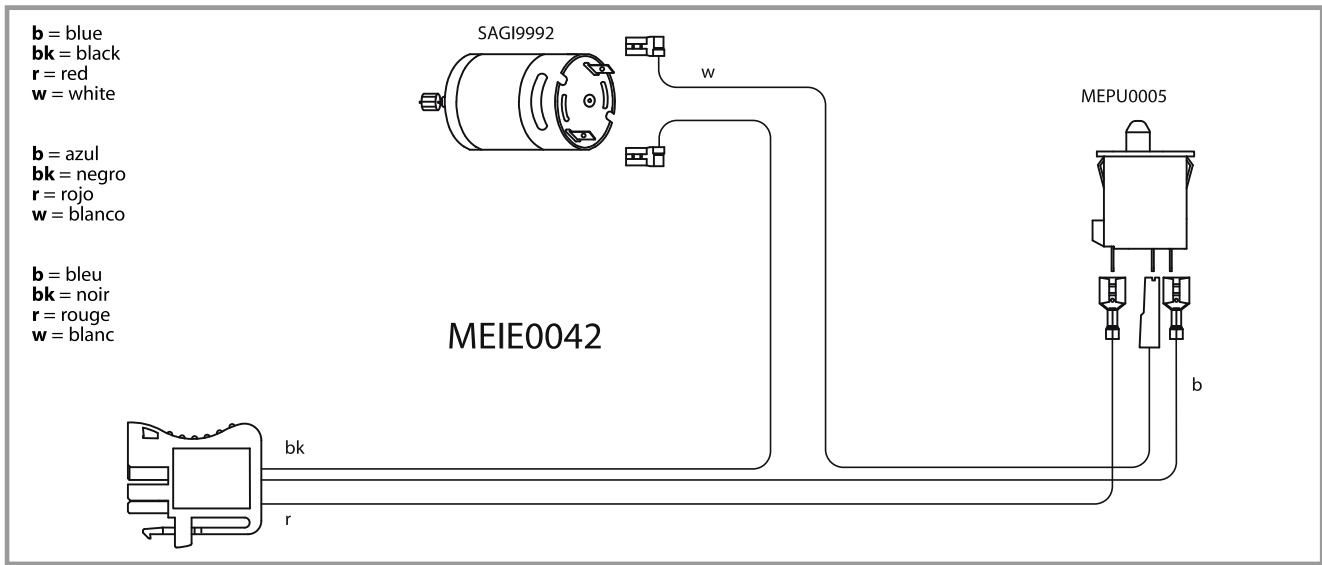




26



27



ENGLISH

• PEG PEREGO® thanks you for choosing this product. For over 50 years, PEG PEREGO has been taking children for an outing: first with its famous baby carriages and strollers, later with its pedal and battery operated toy vehicles.

• Read this instruction manual carefully to learn the use of the vehicle and to teach your child safe and enjoyable driving. Please keep this manual for use as a reference in the future.

• Our toys conform with the safety requirements provided by the Council of the EEC, of the T.Ü.V.; of the I.I.S.G. Istituto Italiano Sicurezza Giocattoli, and the U.S. Consumer Toy Safety Specification F963.



Peg Perego S.p.A. is an ISO 9001 certified company.

The fact that we are certified provides a guarantee of our honesty for our customers, and fosters trust in the company's way of working.

• Peg Perego reserves the right to modify or change its product. Price, literature, manufacturing processes or locations or any combination of the above mentioned entities may change at any time for any reason without notice with impunity.

Years 2-4

Weight capacity

55 lbs

⚠ CAUTION:

ELECTRIC VEHICLE NOT RECOMMENDED FOR CHILDREN UNDER 2 YEARS OF AGE. AS WITH ALL ELECTRIC PRODUCTS, PRECAUTIONS SHOULD BE OBSERVED DURING HANDLING AND USE TO PREVENT ELECTRIC SHOCK. RECHARGER INCLUDED. 120 VOLTS, 60Hz, 15W INPUT, 6 VOLTS (DC) OUTPUT.

CUSTOMER SERVICE

PEG PEREGO offers after-sales services, directly or through a network of authorized service centers for repairs or replacement parts. See the back cover of this instruction manual for contact information.

ASSEMBLY INSTRUCTIONS

⚠ CAUTION:

ADULT ASSEMBLY REQUIRED. USE CARE WHEN UNPACKING AS COMPONENTS TO BE ASSEMBLED MAY POSE A SMALL PARTS/SHARP EDGE HAZARD. BATTERY ALREADY INSTALLED IN VEHICLE.

ASSEMBLY

- 1 • Unscrew the 2 knobs under the seat.
- 2 • Position the seat as shown in the figure.
- 3 • **IMPORTANT:** the seat can be adjusted to 2 positions depending on the height of the child (see figure). Position 1: the seat is higher and further back. Position 2: the seat is lower and further forward.
- 4 • Turn the vehicle on its side, keeping the seat in position. Unscrew the frame under the vehicle.
- 5 • Open the cover to access the seat fixing screws.
- 6 • Screw on the two seat fixing knobs as shown in the figure. Close and screw on the cover.
- 7 • Snap on the 2 rear lights.
- 8 • Assemble the indicators as shown in the figure.
- 9 • Fit the 2 indicators at the front of the vehicle, as shown in figures 1-2, taking care that the

- hollow part of the indicator is facing down.
- 10 • Press on the 2 headlights as shown in detail A.
 - 11 • Position the steering wheel. Fix the steering wheel with the screw and washer provided.
 - 12 • Push on the steering wheel cap as shown in the figure.
 - 13 • Unscrew the hood.
 - 14 • Pull the hood towards you while lifting and turning it to remove (see figure).
 - 15 • Connect the battery plug to the electric system plug.
 - 16 • Close the hood, taking care to correctly insert the tabs into the openings in the chassis. **ATTENTION:** Detail A shows the hood incorrectly attached. The vehicle is ready for use.

VEHICLE FEATURES AND INSTRUCTIONS FOR USE

- 17 • **ACCELERATOR PEDAL/ELECTRIC BRAKE:** when the foot is lifted from the accelerator pedal, the electric brake automatically stops the tractor.

REPLACING THE BATTERY

- 18 • Unscrew the hood.
- 19 • Pull the hood towards you while lifting and turning it to remove (see figure).
- 20 • Loosen the 2 screws that hold the battery in place.
- 21 • Disconnect the 2 plugs and remove the battery supplied with the vehicle.
- 22 • Insert a new 6V-8Ah battery and connect the two plugs.
- 23 • Screw the battery clamp into place again, turning it upside down as shown in the figure. Close the hood as described above (fig. 18) and fasten with the screw.

BATTERY RECHARGE

⚠ WARNING:

WARNING: BATTERY CHARGING AND ANY OTHER OPERATION ON THE ELECTRICAL SYSTEM MUST BE CARRIED OUT BY ADULTS ONLY. THE BATTERY CAN ALSO BE CHARGED WITHOUT REMOVING IT FROM THE VEHICLE.

- 24 • Unplug vehicle wiring terminal A from battery terminal B, by pressing terminals on side and pulling apart.
- 25 • Plug the battery charger terminal to a wall outlet following the instructions enclosed. Connect the plug B to the battery charger plug C.
- 26 • Once the charge is completed unplug recharger from wall outlet. Unplug recharger cord terminal C from battery terminal B.
- 27 • Plug battery terminal A into vehicle wiring terminal B. Close hood.

BATTERY MAINTENANCE AND SAFETY

Before riding, charge your batteries for 18 hours to initiate them. Failure to do this will result in permanent battery damage.

⚠ CAUTION:

Only adults should recharge batteries, never children. Never allow children to handle batteries. Only use the batteries specified by the manufacturer. Only use the charger specified by the manufacturer. Do not mix old and new batteries. Do not mix alkaline, standard

(carbon-zinc), or rechargeable (nickel-cadmium) batteries.

CHARGING THE BATTERY

- Charge the batteries no longer than 24 hours, following the instructions enclosed with the battery charger.
- Charge the battery, as the vehicle shows low power, in this way you will avoid damage to the battery.
- If you don't use your vehicle for a long period of time unplug the battery from the main wire harness of the vehicle. Remember to charge the battery at least every three months.
- Never charge the battery upside down.
- Do not forget batteries during charging! Check them periodically.
- Never use a replacement recharger or batteries unless they are approved by PEG PEREGO.
- Batteries are sealed and maintenance free.
- Battery polarity must be observed when connecting battery to wiring.

⚠ WARNING:

- BATTERIES CONTAIN TOXIC AND CORROSIVE SUBSTANCES. DO NOT TAMPER WITH THEM.
- Batteries contain an acid-based electrolyte.
- Do not make direct contact between battery terminals, as this can cause an explosion or fire.
- Charging produces explosive gases. Charge batteries in a well ventilated area away from sources of heat and flammable materials.
- Exhausted batteries are to be removed from the vehicle.
- Do not place the batteries near clothing to avoid damage.

IF A LEAK DEVELOPS

Shield your eyes. Avoid direct contact with the electrolyte, protect your hands. Place battery in a plastic bag and follow directions listed below.

IF ELECTROLYTE COMES IN CONTACT WITH SKIN OR CLOTHING Flush with cool water for at least 15 minutes.

See a physician at once.

IF ELECTROLYTE IS INGESTED

Give tap water, milk or magnesia or egg whites at once. Do not induce vomiting. See a physician at once.

DISPOSAL OF BATTERIES

Help protect the environment! Do not throw used batteries in your regular, household trash. Dispose of the old batteries in an

approved dumping station; contact your local environmental protection agency office for further information.



VEHICLE MAINTENANCE AND SAFETY

This product conforms to EN 71 and conforms to EN 50088 safety standard for electric toys.

This vehicle is not intended for use on streets, around traffic or parked cars.

This product meets and/or exceeds all ASTM TOY SAFETY STANDARDS, including F 963, Consumer Toy Safety Specifications.

MAINTENANCE AND CARE

- Regularly check the conditions of the vehicle, particularly the electrical system, the plug connections, the covering caps and the charger. In case of fault, do not try to use the vehicle and the charger. For repair use only original PEG PEREGO's spare parts.
- PEG PEREGO assumes no liability if the electrical system is tampered with.
- Do not leave vehicle or batteries near sources of heat such as radiators, stoves, fireplaces, etc.
- Protect vehicle from water, rain, snow, etc.
- When operating in overload conditions, such as soft deep sand, mud or rough uneven terrain, the overload circuit breaker will automatically disconnect the power. After 10 or more seconds, the circuit breaker will automatically reset, however you must eliminate overload conditions to resume normal driving.
- Periodically lubricate (with a light weight oil) moving parts, such as wheel bearings, steering linkages, where they rotate or touch one another.
- The vehicle's surface can be cleaned with a dampcloth. Do not use abrasive cleaners. The cleaning must be carried out by adults only.
- Never disassemble the vehicle mechanisms or motor unless authorized by PEG PEREGO.

Conforms to EN 50088
Rechargeable battery 6V 4,5Ah
sealed lead-acid battery.
One 60W motors

SAFETY

⚠ WARNING:

- To reduce the risk of injury, adult supervision is required. Never use in roadways, near motor vehicles, on or near steep inclines or steps, swimming pools or other bodies of water; always wear shoes, and never allow more than one rider.
- Surfaces that are appropriate for safe use: asphalt, cement, tiles.
- A child must be 2 years of age or older for the necessary coordination and maturation to operate this motorized vehicle safely.
- Not suitable for children under the age of 24 months. The small pieces could be swallowed or inhaled.
- Never use the vehicle on steep slopes or near steps or stairs. This vehicle is not suitable for use on public highways.
- Do not allow children to place their hands, feet or any part of their body, clothing or other articles near the moving parts while vehicle is in operation.
- The trailer is not designed to support a child's weight. Do not place loads over 11 lbs/5 Kg on the trailer.
- Do not allow the electrical components, motors, wiring, switches of your motorized vehicle to become wet and never wash it with a hose.
- Never use gasoline or other flammable substances near the vehicle.
- The vehicle is designed just for one child: never allow more than one rider.

RULES FOR SAFE DRIVING

DON'T STOP THE FUN: always have freshly charged, back-up batteries on hand.

For your child's safety: please read and follow all instructions below before operating.

- **ATTENTION:**
Check all fasteners to be sure they are tight.
- **FORWARD SPEED:**
With both hands on the handlebars, press down on the accelerator pedal; the vehicle goes forward at 2,6 mph.
- **BRAKE:**
The electric braking system stops the vehicle automatically when your child lifts his foot off the pedal.

Teach your child the proper use of

this vehicle for a safe and fun play time.

- Before starting be sure that the way is free from people and objects.
- Drive with both hands on the handlebar and keep your eyes on the road at all times.
- Stop in time to avoid accidents.

⚠ CAUTION:

- **When operating in overload conditions, such as soft deep sand, mud or rough uneven terrain, the overload circuit breaker will automatically disconnect the power. After 10 or more seconds, the circuit breaker will automatically reset, however you must eliminate overload conditions to resume normal driving.**

PROBLEMS?

IF THE VEHICLE DOES NOT OPERATE?

- Check that all the plugs are properly connected.
- Check electrical switches. Replace if necessary.
- Check that the battery is connected to the electrical system.

IF THERE IS NO POWER?

- Fully recharge the batteries. If the problem persists, check with an Authorized PEG PEREGO Service Center.

This document was created with Win2PDF available at <http://www.win2pdf.com>.
The unregistered version of Win2PDF is for evaluation or non-commercial use only.
This page will not be added after purchasing Win2PDF.