



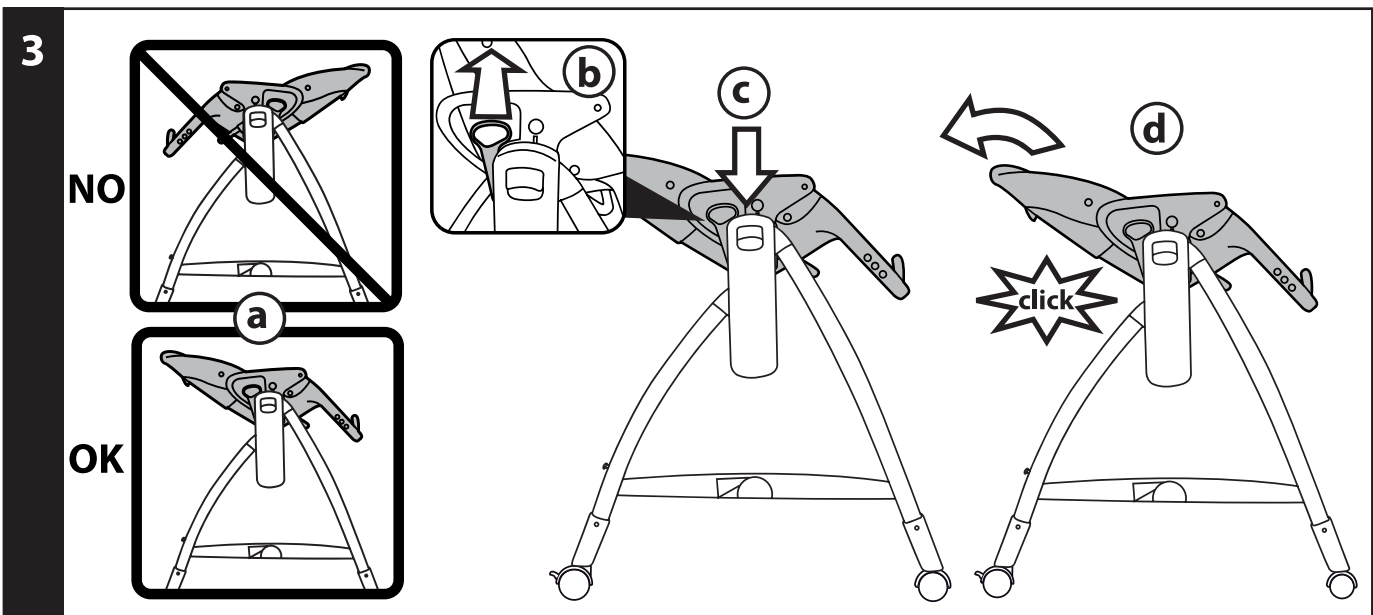
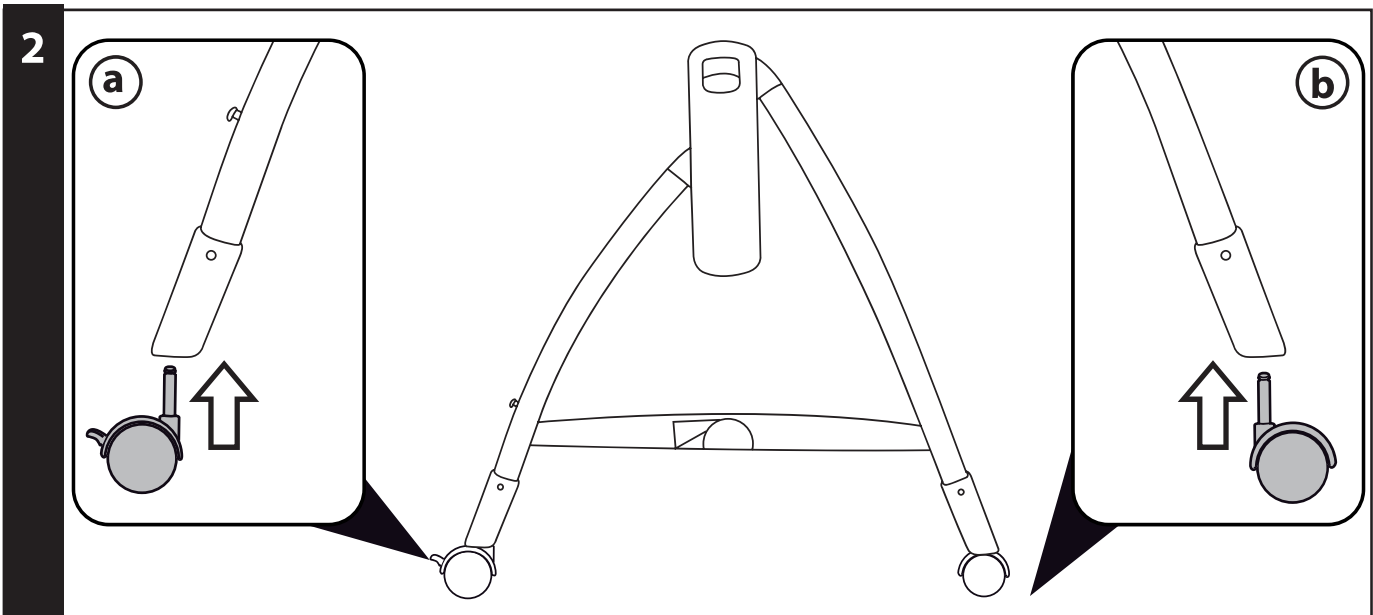
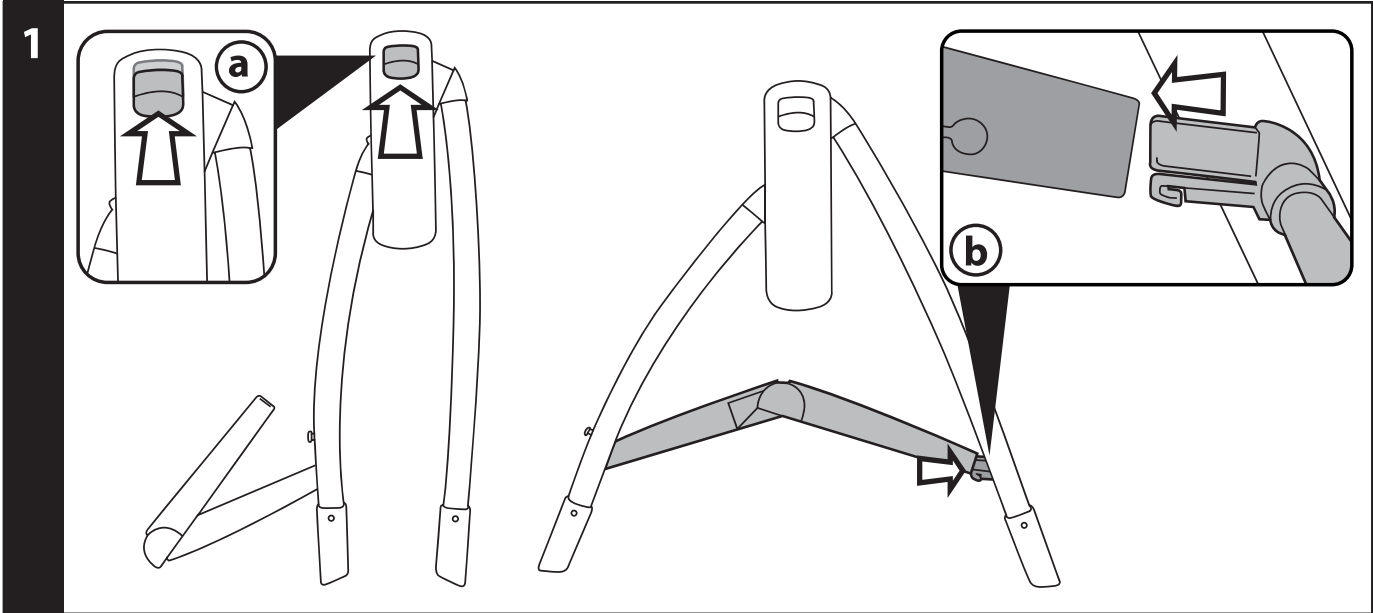
**U.S.A./CANADA**

EN Instructions for use

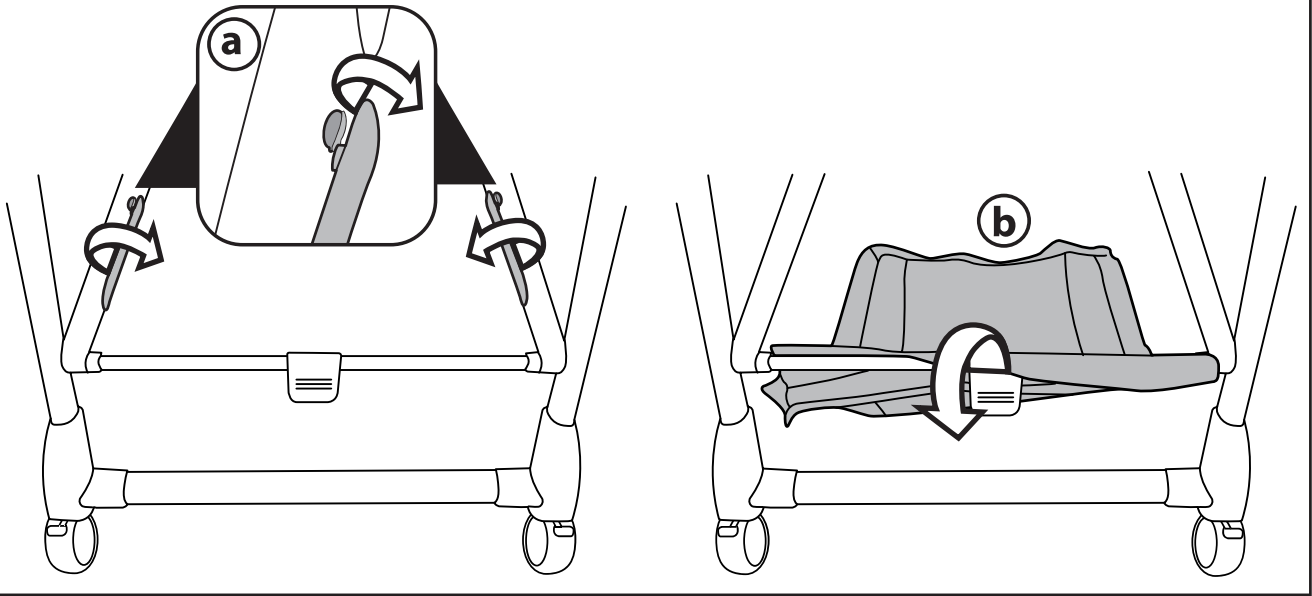
ES Instrucciones de uso

FR Notice d'emploi

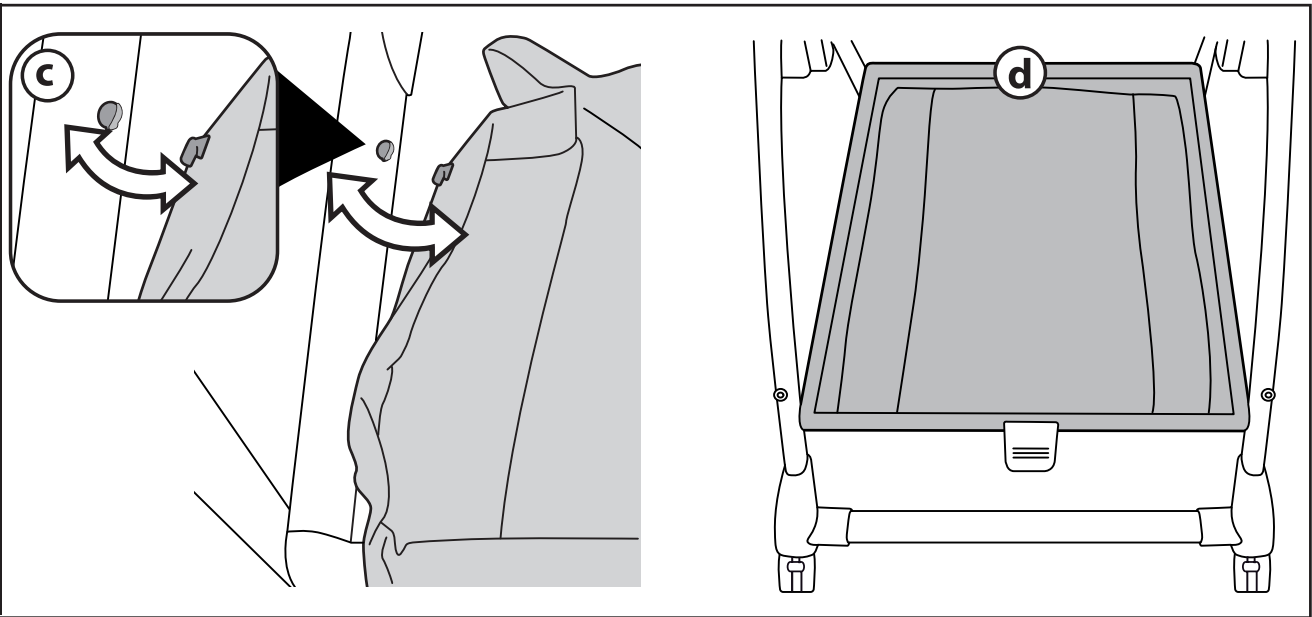
prima pappa newborn



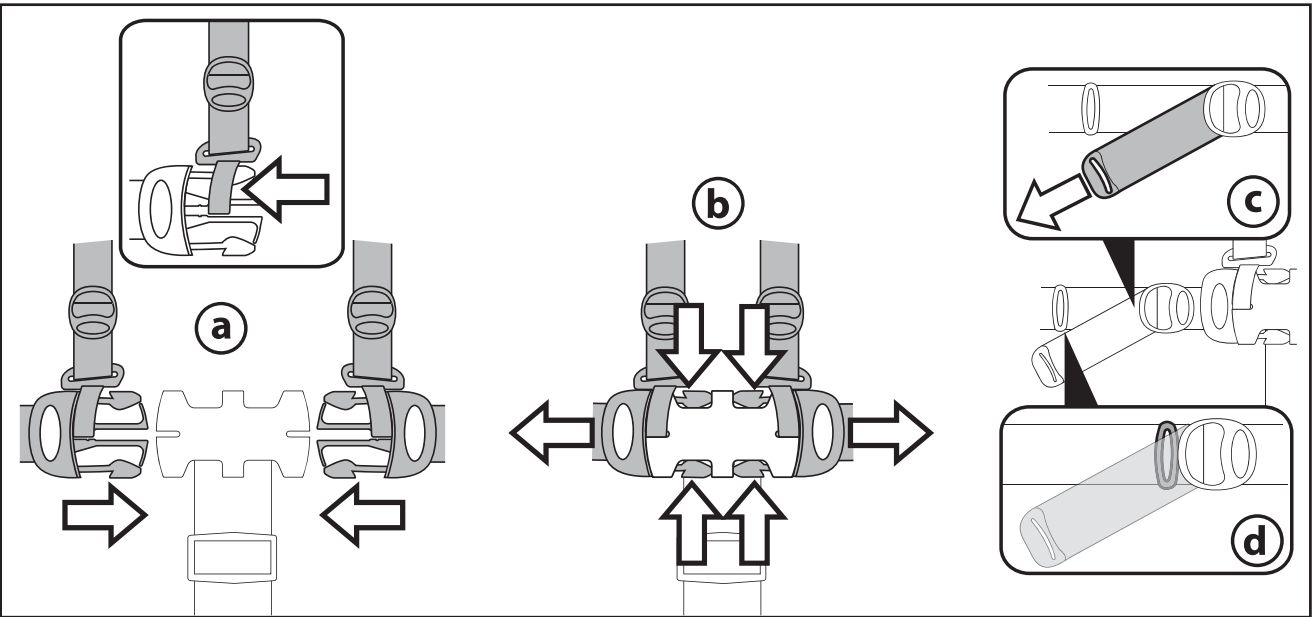
4



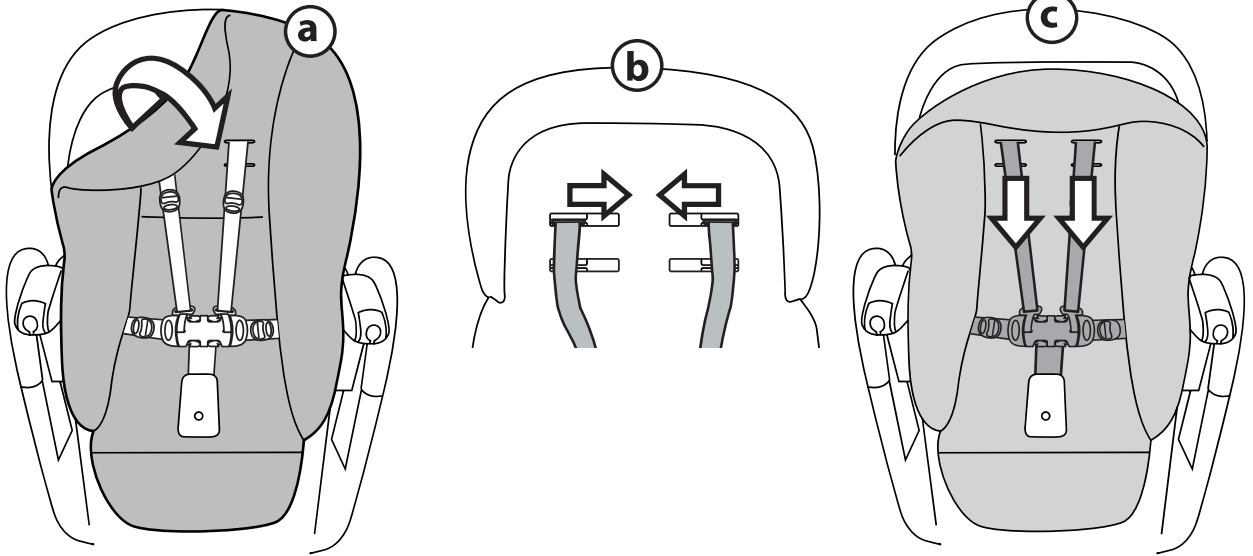
5



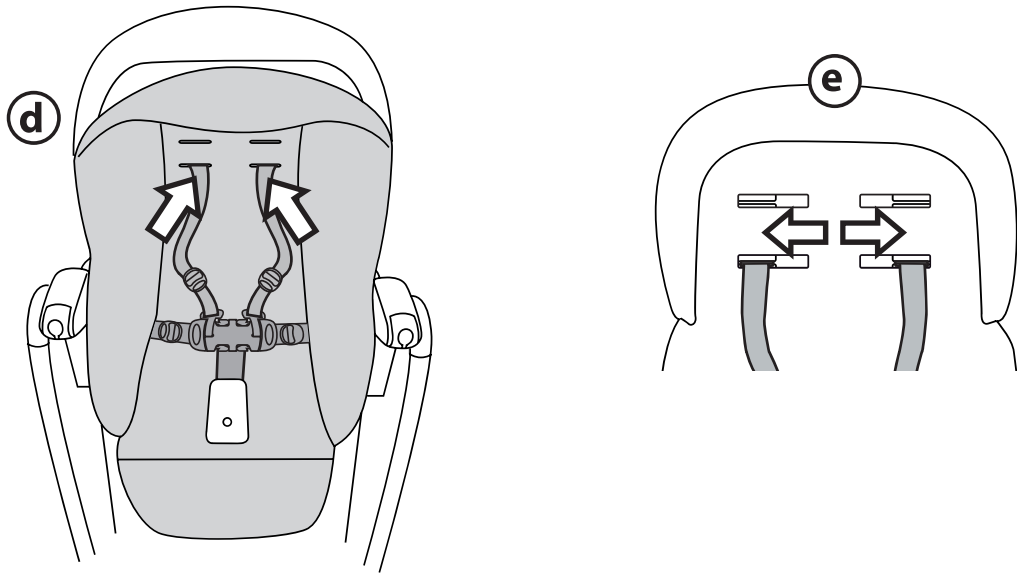
6



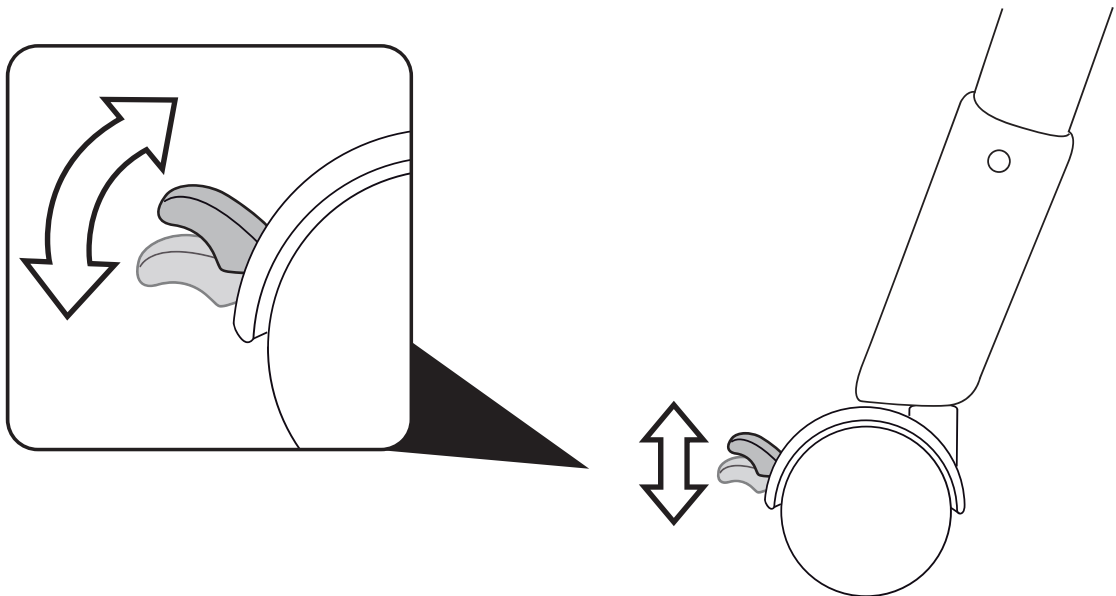
7



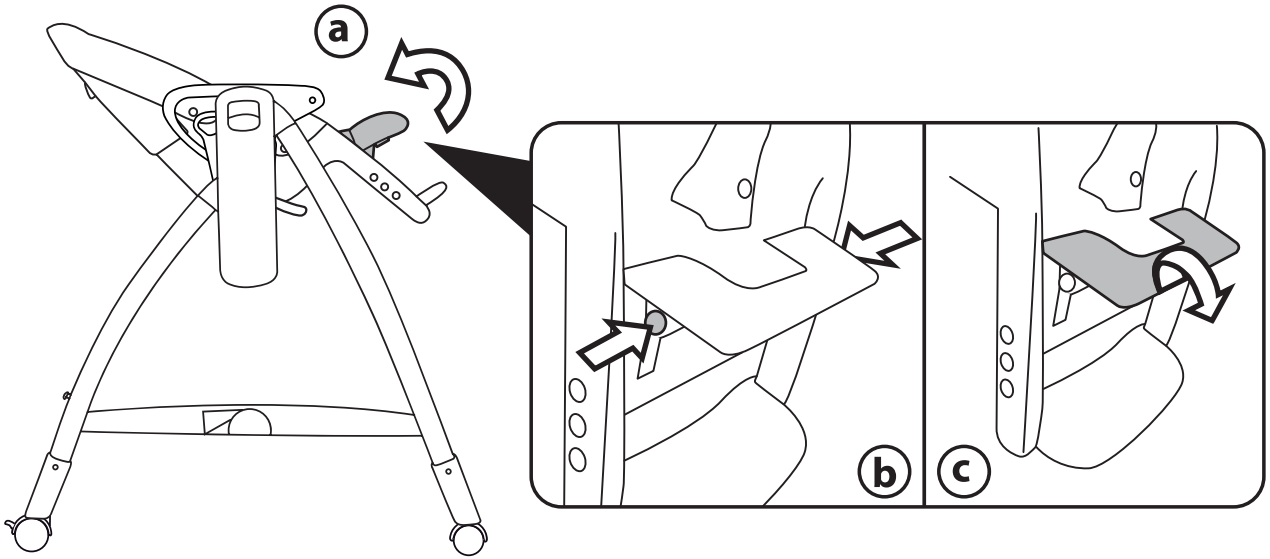
8



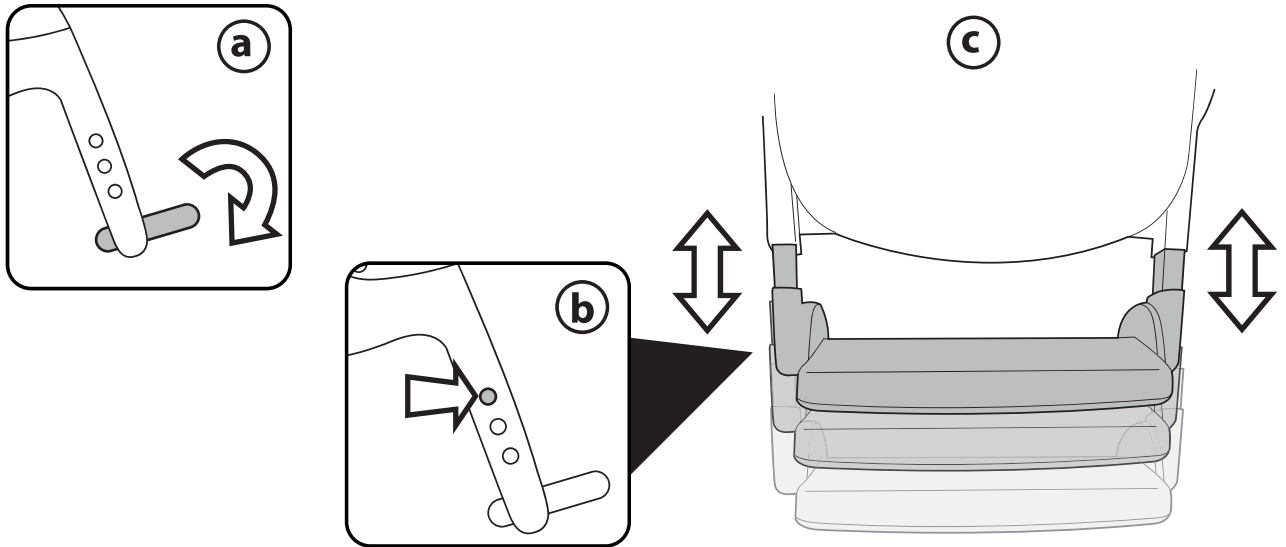
9



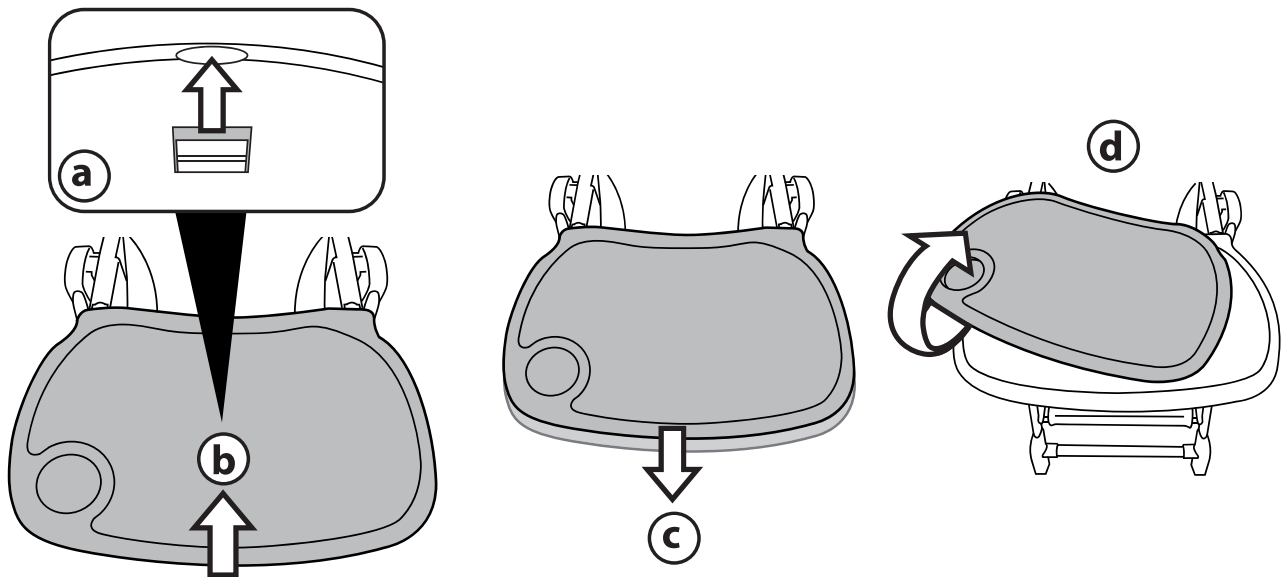
10



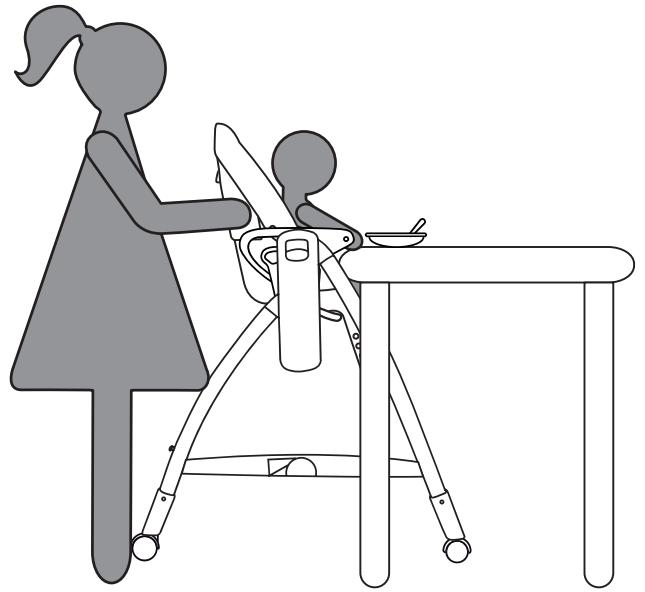
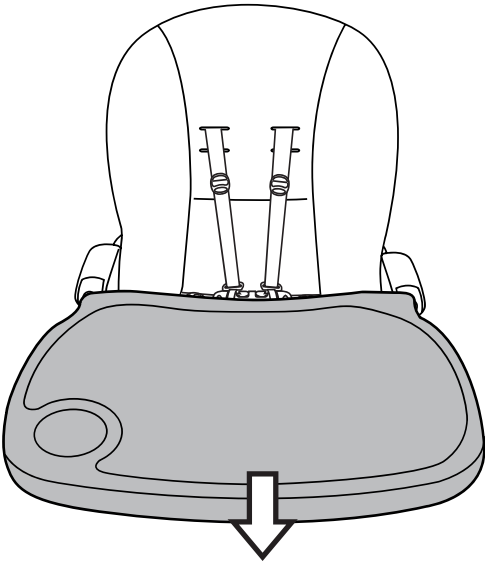
11



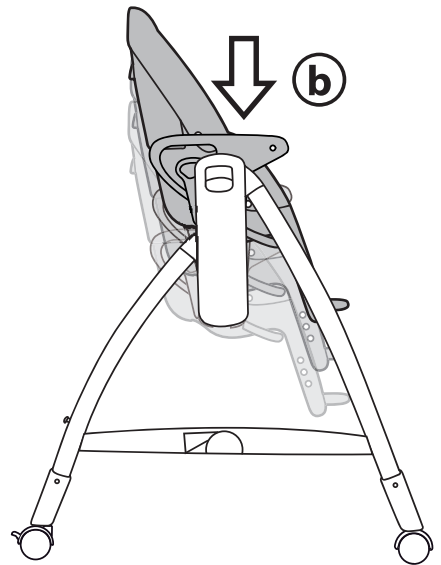
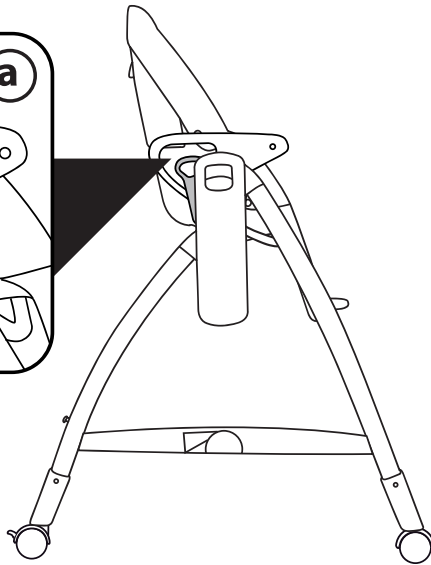
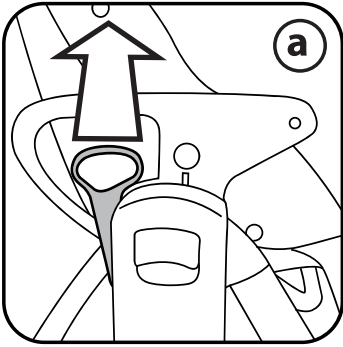
12



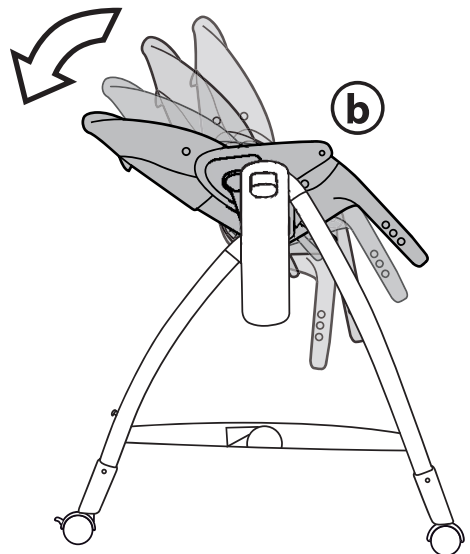
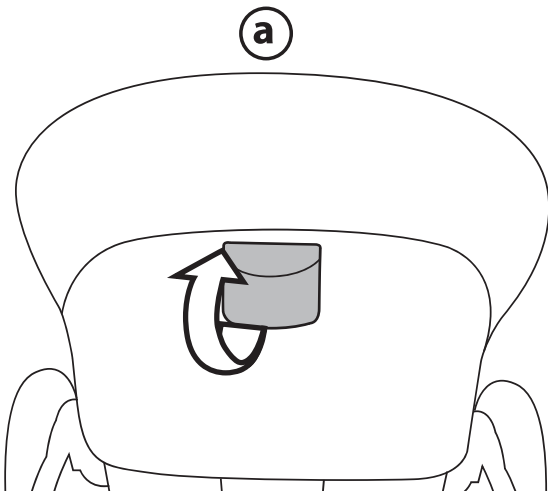
13



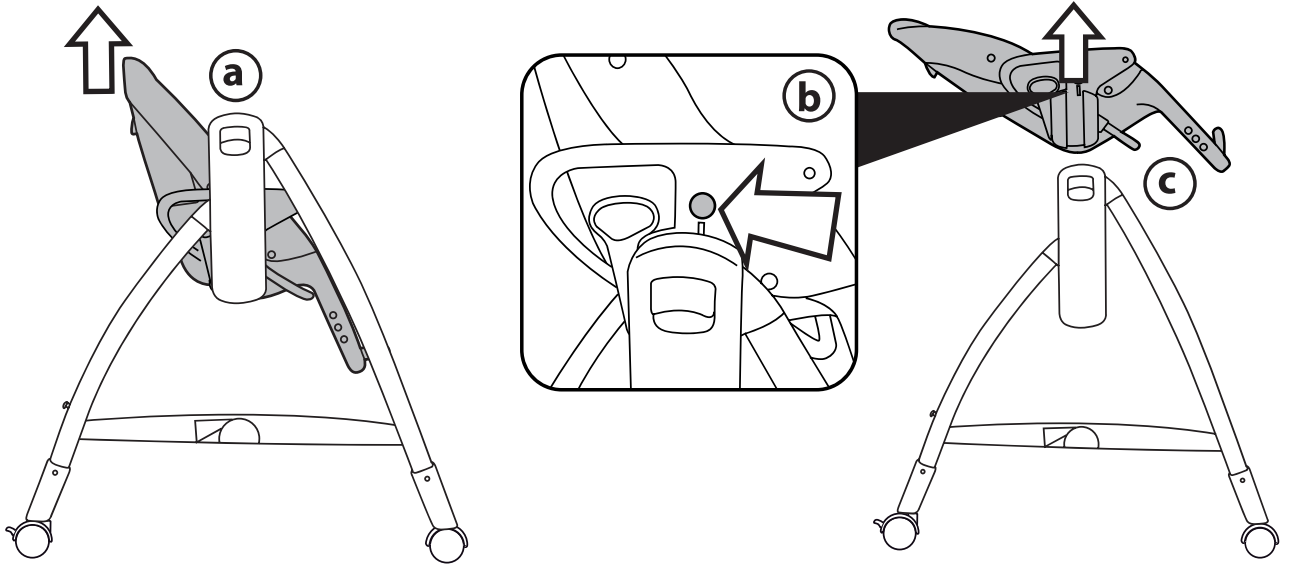
14



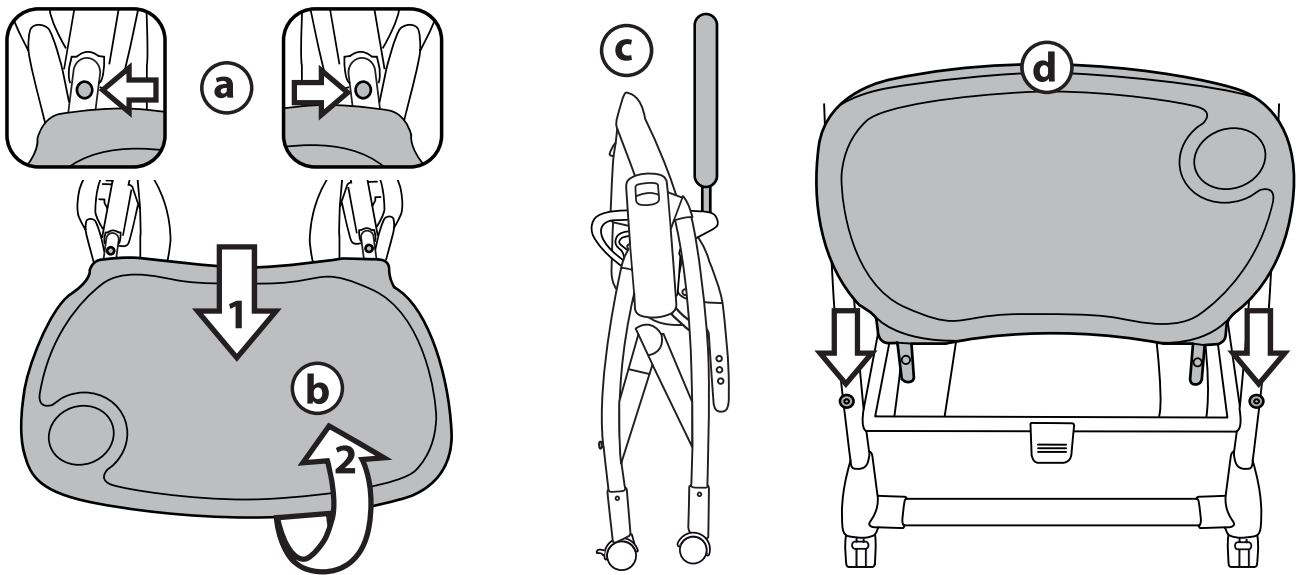
15



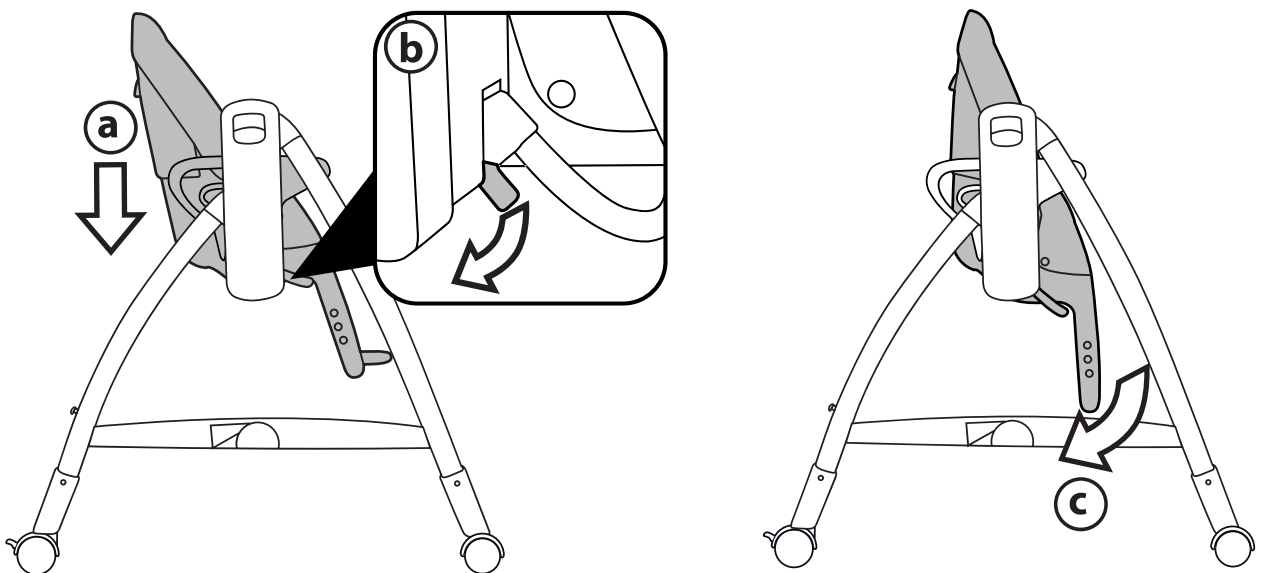
16



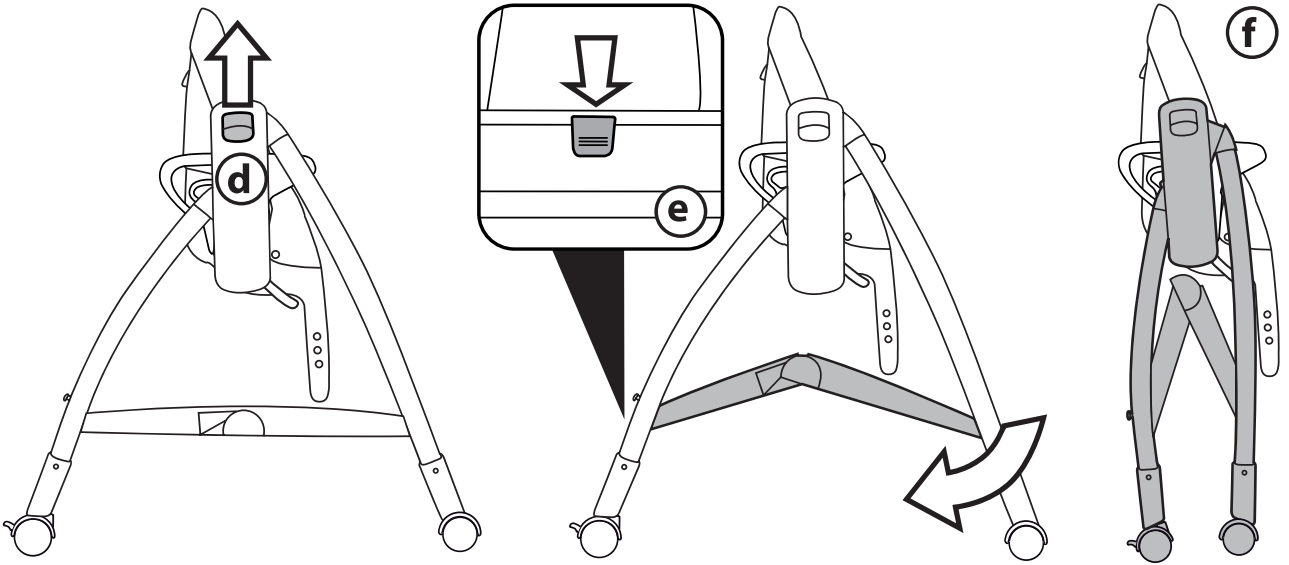
17



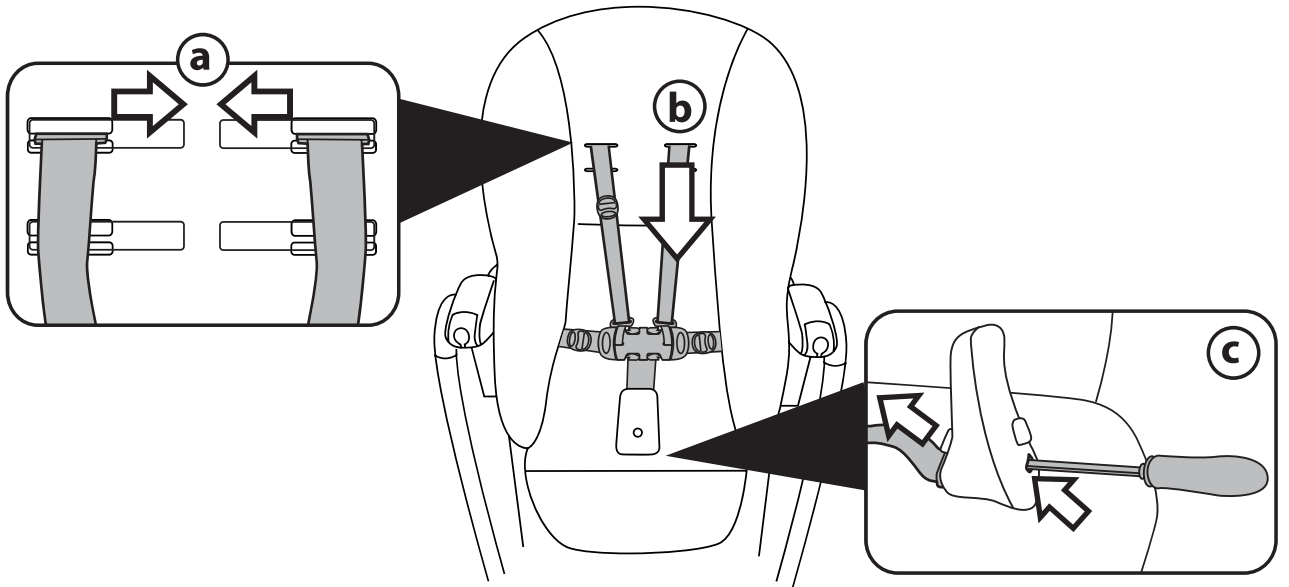
18



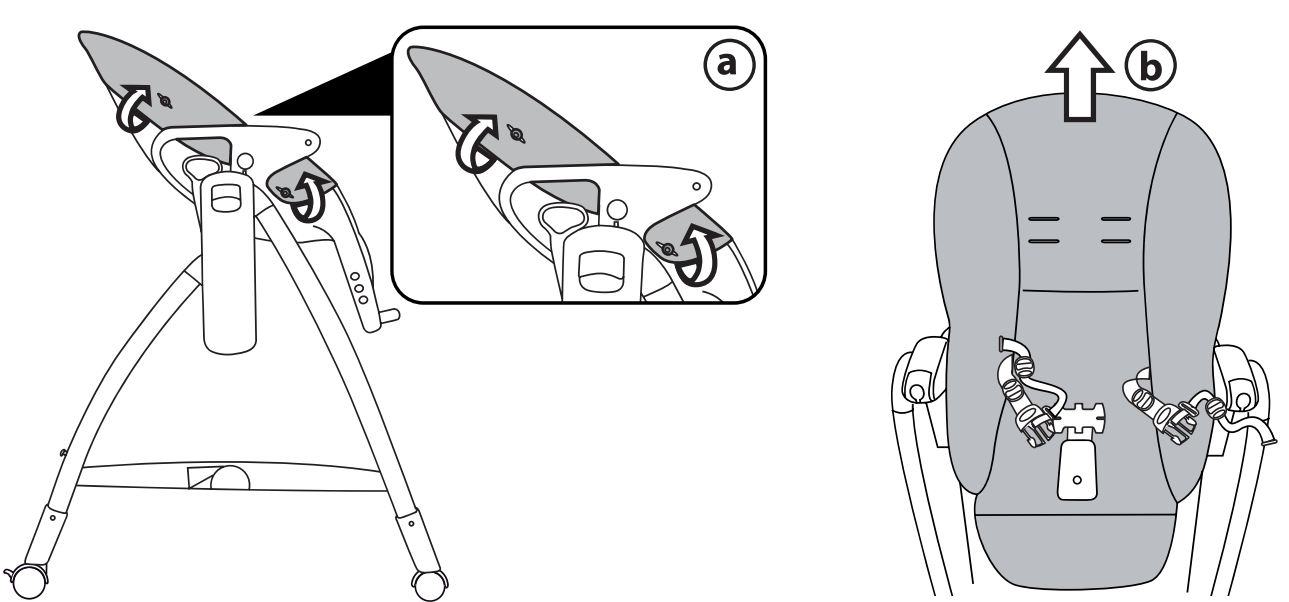
19



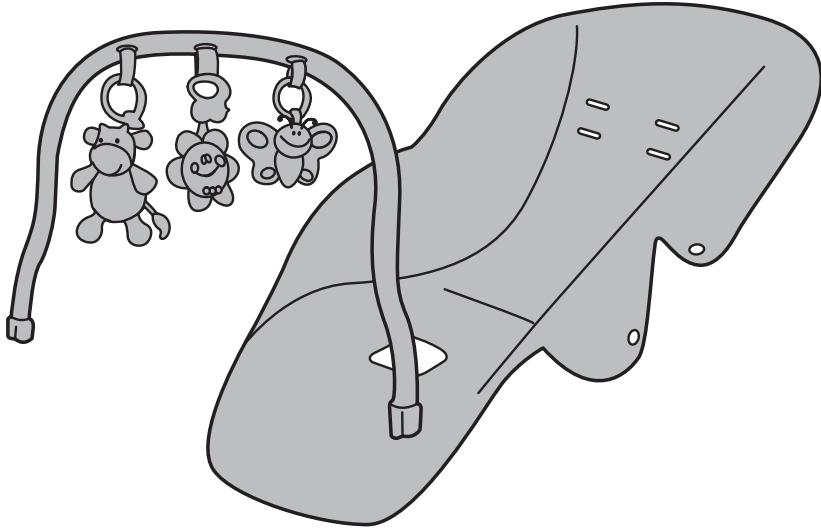
20



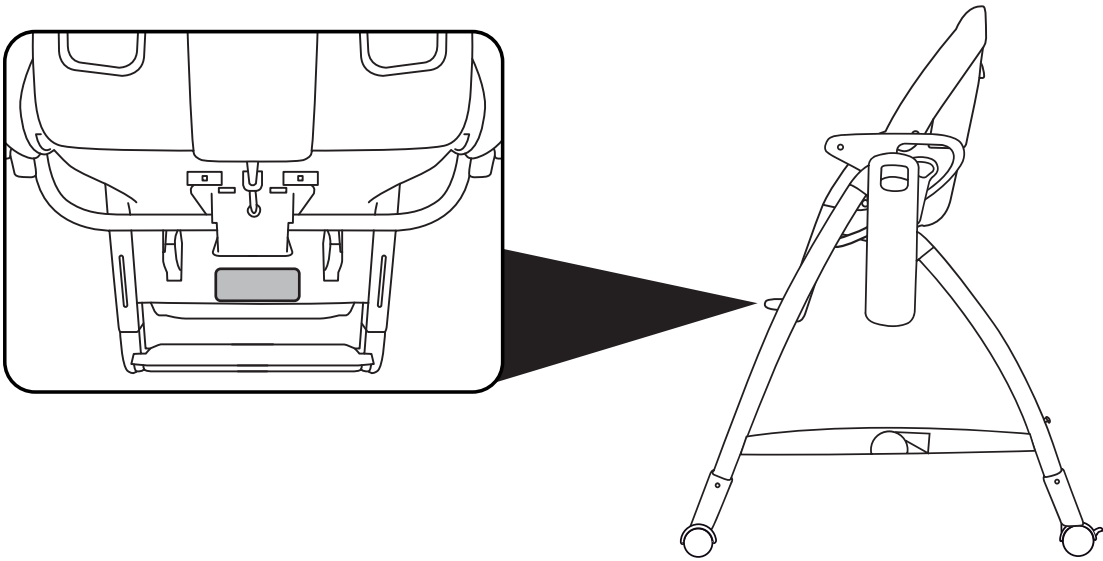
21



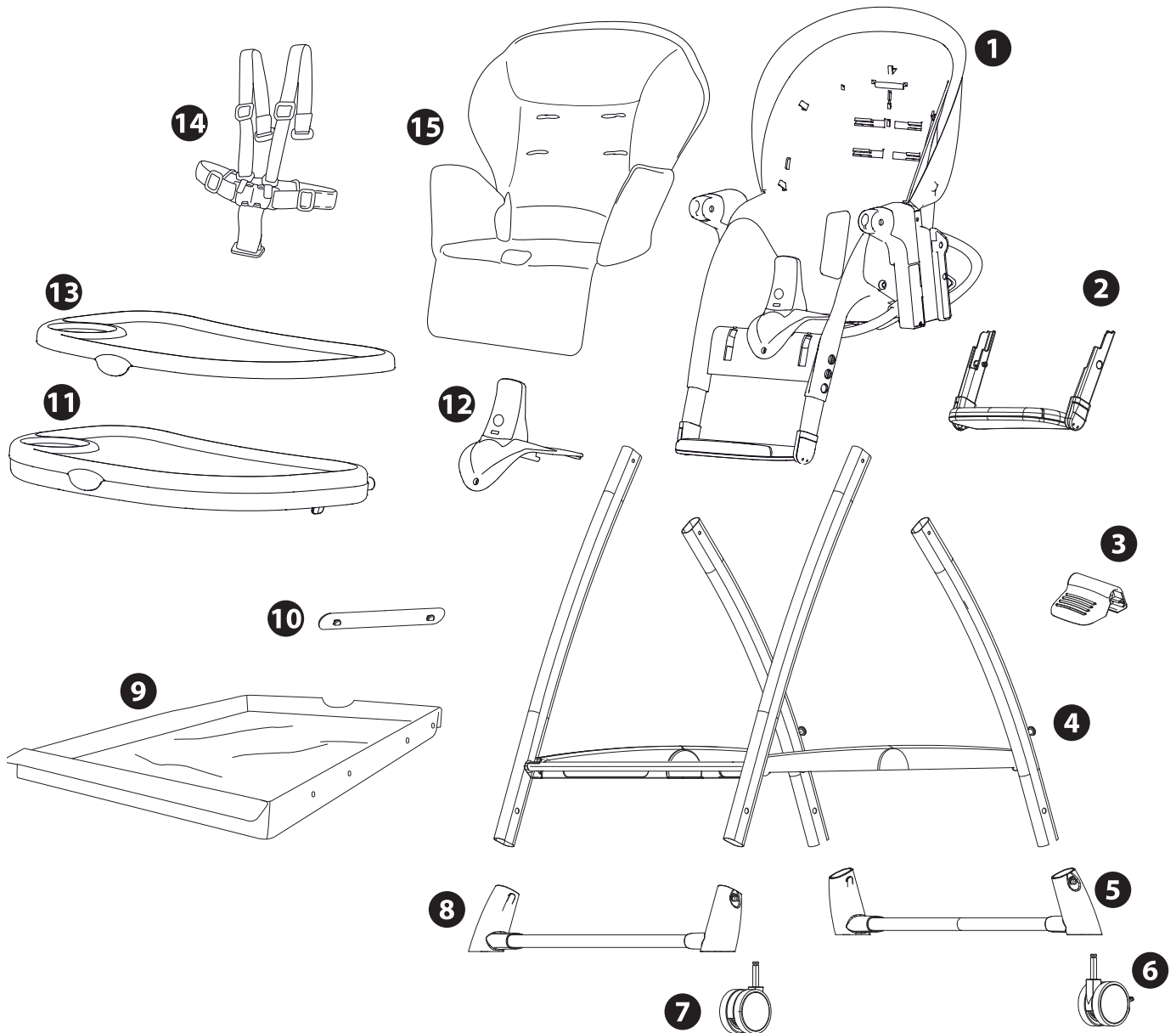
22



23



# prima pappa newborn



- |   |                 |   |               |    |                        |    |            |
|---|-----------------|---|---------------|----|------------------------|----|------------|
| 1 | ARPI0550L65BM•  | 5 | ASPI0121L65BM | 9  | ERSHBN00-<br>NY93RE53M | 12 | ASPI0106BM |
| 2 | ASPI0120BM•     | 6 | SAPI5934TBM   | 10 | SPST6924BM             | 13 | SPST6861BM |
| 3 | SPST6915GR      | 7 | SAPI5934BM    | 11 | SAPU6862BM•NA          | 14 | MUCI5P21GR |
| 4 | ARPI0551L65BMGR | 8 | ASPI0121L65BM |    |                        | 15 | EMBORNNA•  |

EN Spare parts available in different colours to be specified when ordering.

ES Repuestos disponibles en otros colores que se especificarán en el pedido.

FR Pièces de rechange disponibles en plusieurs couleurs à spécifier dans la demande.

# EN\_English

Thank you for choosing a Peg-Pérego product.

## **WARNING**

- **IMPORTANT: READ THESE INSTRUCTIONS CAREFULLY AND KEEP THEM FOR FUTURE REFERENCE. FAILURE TO FOLLOW THESE INSTRUCTIONS COULD PUT THE CHILD'S SAFETY AT RISK.**
- ALL ASSEMBLY AND OPERATING PROCEDURES SHOULD BE PERFORMED BY AN ADULT; DO NOT USE THE PRODUCT IF IT HAS BROKEN OR MISSING PARTS.
- PREVENT SERIOUS INJURY OR DEATH FROM FALLS OR SLIDING OUT; ALWAYS USE COMPLETE 5 POINT SEATBELT; THE CHILD SHOULD BE SECURED IN THE HIGH CHAIR AT ALL TIMES, EITHER IN THE RECLINED OR IN THE UPRIGHT POSITION.
- ALWAYS USE THE CROTCH STRAP.
- NEVER LEAVE THE CHILD UNATTENDED; ALWAYS KEEP CHILD IN VIEW WHILE IN THE HIGHCHAIR.
- TRAY AND ACCESSORY TRAYS ARE NOT DESIGNED TO SUPPORT THE CHILD'S WEIGHT; TRAY IS NOT DESIGNED TO HOLD THE CHILD IN THE CHAIR.
- ALWAYS USE THE HIGHCHAIR ON A FLAT, HORIZONTAL SURFACE.
- IT IS RECOMMENDED THAT THE HIGH CHAIR BE USED IN THE UPRIGHT POSITION ONLY BY CHILDREN CAPABLE OF SITTING UPRIGHT.
- BE CAREFUL OF WHERE YOU PLACE THE PRODUCT. AVOID PLACING THE CHILD NEAR SAFETY HAZARDS SUCH AS ELECTRICAL CORDS, SOURCES OF HEAT, OR FLAMES.
- DO NOT PUT FINGERS IN THE MECHANISM. MAKE SURE YOUR CHILD'S ARMS AND LEGS ARE CLEAR OF THE MOVING PARTS DURING ADJUSTMENT.
- USING ACCESSORIES THAT HAVE NOT BEEN APPROVED BY THE MANUFACTURER MAY BE HAZARDOUS.

- DO NOT USE THE PRODUCT NEAR STAIRS OR STEPS.
- BE CAREFUL NOT TO PLACE THE PRODUCT NEAR SOURCES OF HEAT OR FLAMES, SUCH AS GAS STOVES, ELECTRIC HEATERS, ETC.
- MAKE SURE THE BELT IS ATTACHED PROPERLY.
- DO NOT USE THE HIGH CHAIR UNLESS ALL OF THE PARTS ARE PROPERLY FITTED AND ADJUSTED.

### **NOTICE:**

- THIS ARTICLE MEETS OR EXCEEDS ALL REQUIREMENTS COVERED IN ASTM F404 STANDARD AND LATEST REVISIONS.

### **RECLINER**

- WHEN USED AS A RECLINER, THIS PRODUCT IS DESIGNED FOR CHILDREN FROM BIRTH UP TO A WEIGHT OF 9 KG (19.8 lbs).
- DO NOT USE THE PRODUCT AS A RECLINER WHEN THE CHILD IS ABLE TO SIT UP ALONE.
- THE RECLINER IS NOT DESIGNED FOR LONG PERIODS OF SLEEP. IT SHOULD NOT BE USED AS A SUBSTITUTE FOR A COT. IF THE CHILD NEEDS TO SLEEP, HE/SHE SHOULD BE PLACED IN A SUITABLE COT.
- DANGER OF STRANGULATION: NEVER LEAVE THE CHILD IN THE RECLINER IF THE SAFETY HARNESS IS LOOSE OR UNDONE.
- RISK OF FALLING: IT IS DANGEROUS TO USE THE RECLINED CRADLE ON A RAISED SURFACE.

### **A single product that follows the growth of your child:**

- From 0 to 6 months a comfortable baby rocker.
- From 6 months a high chair for eating, playing and relaxing.
- From 12 months a high chair without a tray for sitting at the table with the adults.

### **COMPONENTS OF THE ITEM**

Check the contents of the packaging. For any complaints, please contact our Customer Service department.

- High chair with washable and removable

padding, a double tray, a basket, 2 normal wheels and 2 wheels with brakes.

## INSTRUCTIONS

- 1 **ASSEMBLY:** Open the frame by pulling the two side levers upwards (fig\_a) and fit the side support into its slot (fig\_b).
- 2 **WHEELS:** Attach the wheels with brakes to the short legs at the rear (fig\_a) and the other two to the longer legs at the front (fig\_b).
- 3 **SEAT:** Make sure that you do not attach the seat backwards (fig\_a). The footrest must always be on the side with the longer tubes. To fit the seat, pull both of the side levers on it upwards (fig\_b) and attach it by putting it on the frame (fig\_c).  
Ensure that it is properly attached by pushing the backrest back until it clicks (fig\_d).
- 4 **BASKET:** Before fitting the basket, remove the side strips on the supports (fig\_a). Attach the basket with the Velcro at the front and the back (fig\_b).
- 5 Next fasten it with the clips on the side (fig\_c). Fig\_d shows a fitted basket.
- 6 **FIVE POINT SAFETY HARNESS:** To fasten it, push the two waist strap buckles (with the shoulder straps attached) into the leg divider until they click into position (fig\_a). To release it, press both sides of the buckle and pull the waist strap outwards at the same time (fig\_b). To tighten the waist strap, pull from both sides in the direction of the arrow (fig\_c). To loosen it, do the opposite. The waist strap can be tightened as far as the safety stop (fig\_d).
- 7 The shoulder straps of the harness can be set at two different heights. Partially remove the fabric covering (fig\_a), release the shoulder straps from the backrest (fig\_b) and pull them out from the fabric covering (fig\_c).
- 8 Insert the ends of the shoulder straps in the other slots in the fabric covering (fig\_d) and the backrest (fig\_e), then put the fabric covering back on the backrest properly.
- 9 **BRAKE:** the rear wheels of the high chair are fitted with brakes. To apply the brakes, lower the levers on the rear wheels. To release them, raise the levers. It is recommended that you apply the brakes before carrying out any procedures involving the high chair.
- 10 **EARLY MONTHS FOOTREST:** The high chair is equipped with a footrest to use when it is in baby rocker mode. Lift the footrest by rotating it upwards (fig\_a). To fold it away, press the two side buttons (fig\_b) and rotate it downwards (fig\_c).
- 11 **FOOTREST:** Lower the footrest (fig\_a), press the two side buttons (fig\_b) and put it at one of the 3 heights available (fig\_c).
- 12 **TRAY:** To fit the tray, pull the central handle underneath it towards you (fig\_a) while at the same time pushing it all the way into the armrests (fig\_b).  
To extend or remove the tray, pull the central handle towards you and adjust it (fig\_c). The high chair has a double tray. The top tray can easily be washed in a dishwasher.  
To remove it, detach it from the lower tray and lift it up (fig\_d).
- 13 **USE WITHOUT THE TRAY:** To use the high chair at the table, remove the tray.
- 14 **ADJUSTING THE HEIGHT:** The seat can be set at different heights. To raise or lower the seat, pull the two levers upwards (fig\_a). Stop at the desired position (fig\_b). This can be done with the child in the high chair.
- 15 **RECLINING BACKREST:** The seat can be reclined in 4 positions: for eating, playing, relaxing or sleeping. To adjust it, raise the handle behind the backrest (fig\_a) and lock it in the desired position (fig\_b). This can be done with the child in the high chair.
- 16 **REMOVING THE SEAT:** To remove the seat, put it in the highest position (fig\_a), press the two round side buttons at the same time (fig\_b) and remove it (fig\_c).  
**FOLDING UP:** The high chair can be folded up with or without the seat and/or the tray attached.
- 17 **FOLDING UP THE TRAY:** To fold up the tray, pull it out as far as the red markers nearest to it (fig\_a) and rotate it upwards (fig\_b). Fig\_c shows the high chair folded up with the tray attached. The tray can also be put on the rear tubes of the high chair (fig\_d).
- 18 **FOLDING UP THE HIGH CHAIR:** To fold it up with the seat attached, fold up the footrest, lower it to the lowest position (fig\_a), press the levers underneath it all the way down (fig\_b) and at the same time rotate the seat forwards (fig\_c).
- 19 Pull the levers on the sides of the high chair upwards (fig\_d) while pressing the pedal (fig\_e) and fold up the high chair. The high chair is freestanding when folded up (fig\_f).
- 20 **REMOVABLE COVERS:** To remove the covers of the seat, pull off the upper part of the fabric covering and pull the harness straps through the backrest (fig\_a) and the fabric covering (fig\_b). Push a screwdriver into the slot on the leg divider and pull out the harness strap (fig\_c).
- 21 Unbutton the fabric covering at the sides (fig\_d) and pull it off from above (fig\_e).

## ACCESSORIES

- 22 **TATAMIA & PRIMA PAPPÀ NEWBORN KIT:** a Soft Touch cover and a play bar with sound effects.

## SERIAL NUMBERS

- 23 Information relating to the date of manufacture of the product are found under

the PRIMA PAPPÀ NEWBORN footrest.

– Product name, date of manufacture and serial number.

This information is required for any complaints.

## CLEANING AND MAINTENANCE

PRODUCT MAINTENANCE: protect from the weather: water, rain, or snow; prolonged and continuous exposure to bright sunlight may give rise to colour changes of various different materials; store this product in a dry place.

CLEANING THE CHASSIS: periodically clean all plastic parts with a damp cloth. Do not use solvent or similar cleaning products; keep all metal parts dry to prevent rusting; keep moving parts clean (adjustment mechanisms, locking mechanisms, wheels, ...) and free of dust and sand and, if necessary, lubricate with light machine oil.

CLEANING THE UPHOLSTERY: Wash with a damp cloth and neutral detergent. Do not wring. Do not use chlorine bleach. Do not iron. Do not dry clean. Do not use solvents for stain removal. Do not spin dry.



## PEG-PÉREGO S.p.A.

Peg Pérego can make changes at any time to the models described in this publication for technical or commercial reasons.

## PEG-PÉREGO AFTER-SALES SERVICE

If any parts of the item get lost or damaged, only use genuine Peg Pérego spare parts. For any repairs, replacements, information on the products and sales of genuine spare parts and accessories, contact the Peg Pérego Assistance Service and state the serial number of the product, if present.

### USA

tel. 800.671.1701 fax 260.471.6332  
call us toll free 1.800.671.1701 website  
www.pegperego.com

### CANADA

tel. 905.839.3371 fax 905.839.9542  
call us toll free 1.800.661.5050 website  
www.pegperego.com

## ES\_Español

Le agradecemos haber elegido un producto Peg-Pérego.

## ⚠️ ADVERTENCIA

– **IMPORTANTE: LEER ATENTAMENTE ESTAS INSTRUCCIONES Y CONSERVARLAS PARA UNA FUTURA UTILIZACIÓN. SI NO SE SIGUEN ESTAS INSTRUCCIONES, SE PODRÍA ARRIESGAR LA SEGURIDAD DEL NIÑO.**

– LAS OPERACIONES DE MONTAJE Y DE REGULACIÓN DEL PRODUCTO TIENEN QUE SER REALIZADAS POR UN ADULTO; NO UTILIZAR EL PRODUCTO SI EL MONTAJE NO HA SIDO COMPLETADO Y SI EL PRODUCTO PRESENTA ROTURAS O FALTAN PIEZAS.

– LAS OPERACIONES DE LIMPIEZA Y MANTENIMIENTO SÓLO PUEDEN SER REALIZADAS POR ADULTOS.

– PREVENIR HERIDAS SERIAS O LA MUERTE DEL NIÑO CAUSADAS POR LA CAÍDA O EL RESBALAMIENTO DEL MISMO; UTILIZAR SIEMPRE LOS CINTURONES DE SEGURIDAD DE CINCO PUNTOS; UTILIZAR LOS CINTURONES TANTO EN POSICIÓN RECLINADA COMO EN POSICIÓN ERECTA.

– UTILIZAR SIEMPRE LA TIRA ENTREPIERNAS.

– NO DEJAR NUNCA AL NIÑO SIN VIGILANCIA; NO PERDER NUNCA DE VISTA AL NIÑO.

– LA BANDEJA Y SUS ACCESORIOS NO HAN SIDO CONCEBIDOS PARA SOPORTAR EL PESO DEL NIÑO; LA BANDEJA NO HA SIDO DISEÑADA PARA SUJETAR AL NIÑO EN EL ASIENTO Y NO SIRVE COMO CINTURÓN DE SEGURIDAD.

– ASEGURARSE DE QUE EL PRODUCTO ESTÉ SOBRE UNA SUPERFICIE HORIZONTAL.

– UTILIZAR EL PRODUCTO EN POSICIÓN ERECTA SOLO CUANDO EL NIÑO SEA CAPAZ DE ESTAR SENTADO SOLO.

This document was created with Win2PDF available at <http://www.win2pdf.com>.  
The unregistered version of Win2PDF is for evaluation or non-commercial use only.  
This page will not be added after purchasing Win2PDF.