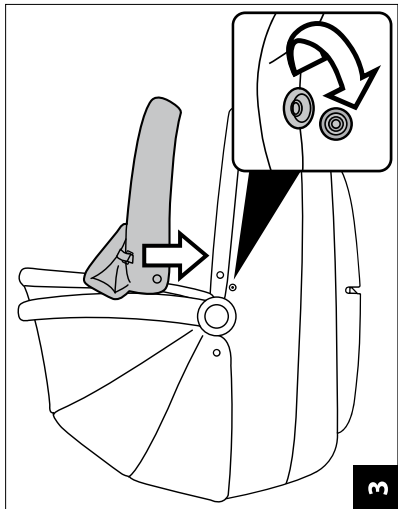
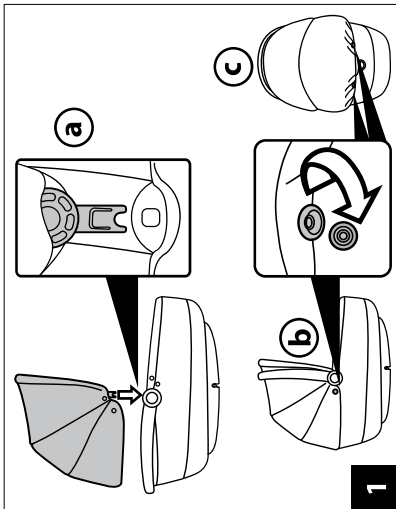
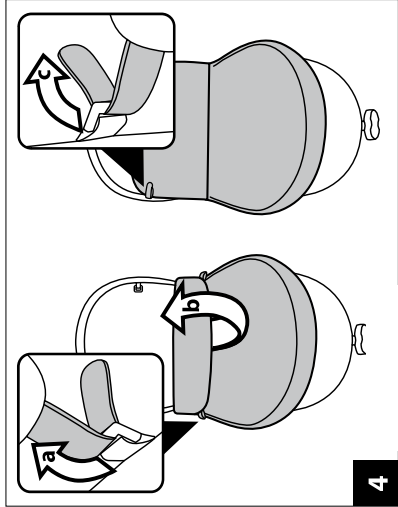
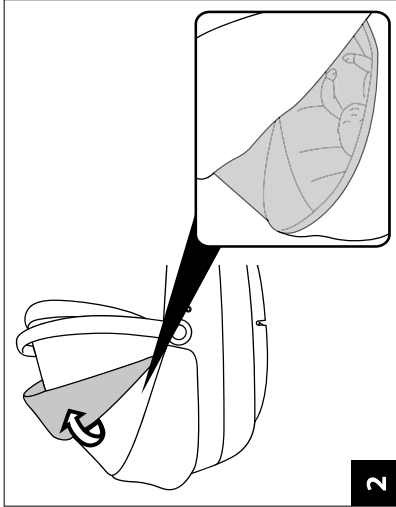
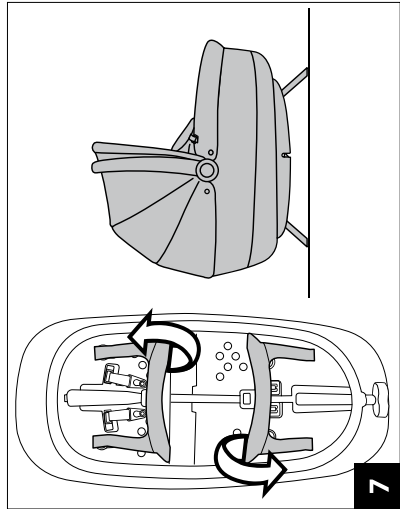
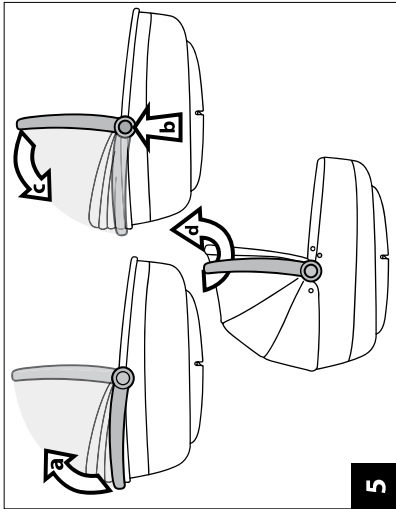
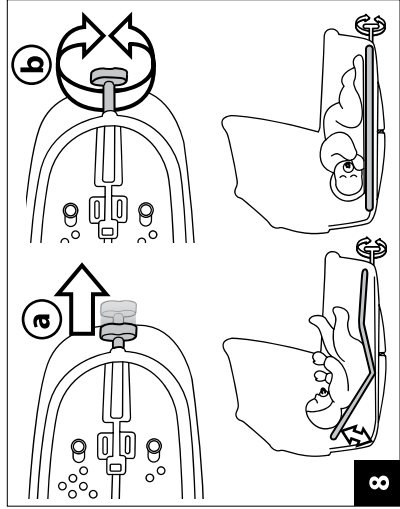
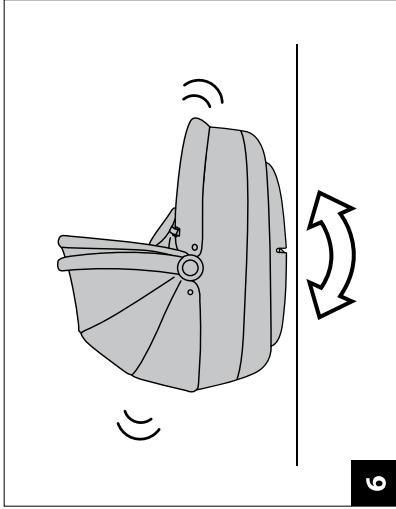


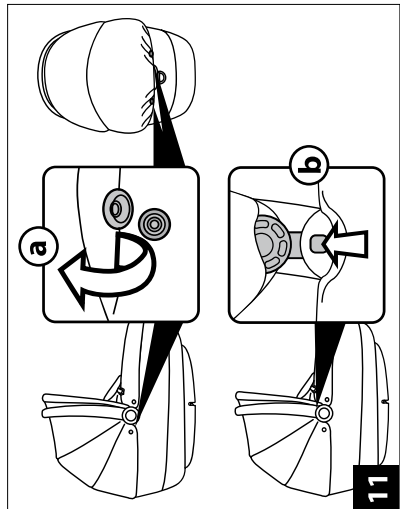
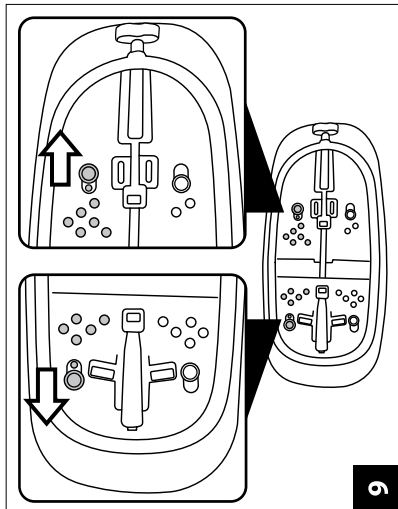
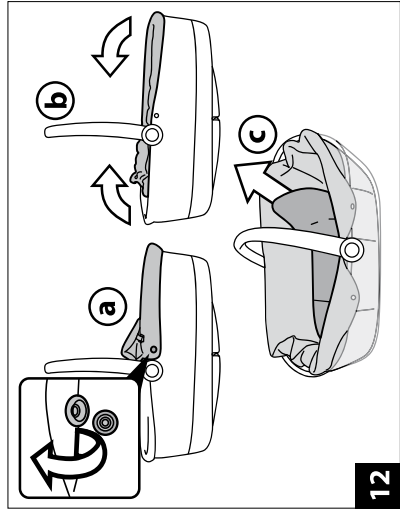
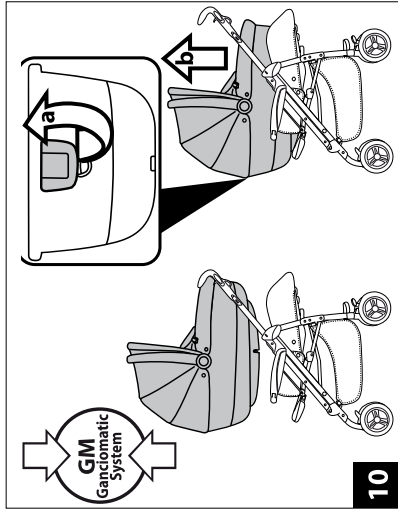
U.S.A./CANADA
EN Instructions for use
ES Instrucciones de uso
FR Notice d'emploi

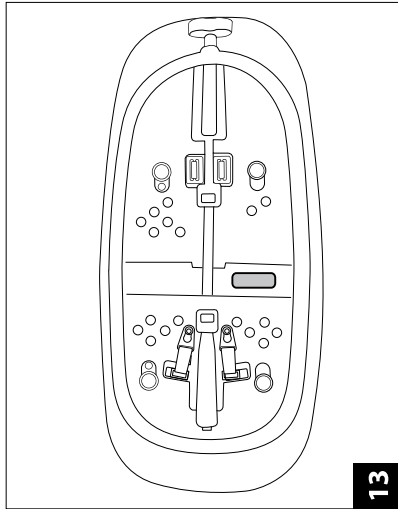


Navetta XL

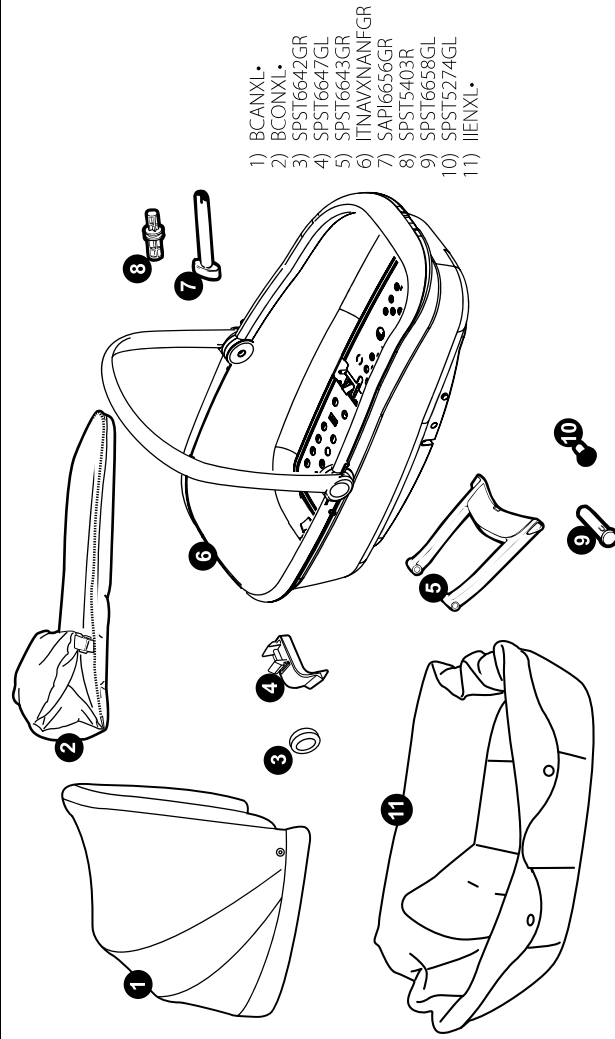








Navetta XL



EN• Spare parts available in different colours to be specified when ordering.
 ES• Repuestos disponibles en otros colores que se especificarán en el pedido.
 FR• Pièces de rechange disponibles en plusieurs couleurs à spécifier dans la demande.

EN_English

Thank you for choosing a Peg-Pérego product.



WARNING

READ THESE INSTRUCTIONS CAREFULLY AND STORE THEM IN THE HOLDER PROVIDED THROUGHOUT THE LIFECYCLE OF THE PRODUCT. FAILURE TO FOLLOW THESE WARNINGS AND INSTRUCTIONS COULD RESULT IN SERIOUS INJURY OR DEATH.

- DO NOT USE THIS BASSINET IF YOU CANNOT EXACTLY FOLLOW THE ACCOMPANYING INSTRUCTIONS.
- DO NOT USE THIS BASSINET FOR A CHILD WHO CAN ROLL OVER OR WHO HAS REACHED THE MANUFACTURER'S RECOMMENDED WEIGHT LIMIT.
- THIS PRODUCT IS DESIGNED FOR CHILDREN FROM BIRTH UP TO A WEIGHT OF 20 LBS (9 KG).
- FALL HAZARD: DO NOT USE THIS BASSINET WHEN THE INFANT BEGINS TO PUSH UP ON HANDS OR KNEES OR

HAS REACHED 20 LBS.

- SUFFOCATION HAZARD: NEVER ADD MATTRESS, PILLOW OR EXTRA PADDING. ALWAYS USE ONLY THE MATTRESS PROVIDED BY PEG-PEREGO.
- NEVER LEAVE YOUR CHILD UNATTENDED.
- TO REDUCE THE RISK OF SIDS, PLACE THE INFANT ON HIS BACK TO SLEEP.
- USE OF STAND: THIS PRODUCT IS DESIGNED TO BE USED IN CONJUNCTION WITH A STAND. ALWAYS USE ONLY PEGPEREGO SPECIFIC STAND. MAKE SURE THIS BASSINET IS CORRECTLY ATTACHED TO THE STAND BEFORE USE.
- DO NOT USE NEAR HEAT SOURCES, OPEN FLAMES OR DANGEROUS OBJECTS THAT ARE WITHIN REACH OF THE CHILD.
- ONLY USE THE PRODUCT ON SURFACES THAT ARE HARD, HORIZONTAL AND DRY.
- DO NOT LEAVE OTHER CHILDREN PLAYING UNATTENDED NEAR THE CARRIAGE.
- BEFORE PLACING THE CHILD IN THE BASSINET, MAKE SURE THAT EVERY PART

IS PROPERLY AND SECURELY IN PLACE.

- ASSEMBLY AND PREPARATION OF THE ITEM MUST BE CARRIED OUT BY ADULTS.
- DO NOT USE THE PRODUCT IF THERE ARE MISSING OR BROKEN PARTS.
- BEFORE USE MAKE SURE THAT ALL OF THE ATTACHMENT MECHANISMS ARE CONNECTED PROPERLY.
- DO NOT INSERT FINGERS INTO THE MECHANISMS.
- IT COULD BE DANGEROUS TO USE ACCESSORIES WHICH ARE NOT APPROVED BY THE MANUFACTURER.
- DO NOT USE THE NAVETTA XL WITHOUT ITS FABRIC COVERING, WHICH CANNOT BE REPLACED WITH ONE NOT APPROVED BY THE MANUFACTURER.
- TAKE CARE WHEN ADJUSTING THE MECHANISMS (HANDLE, BACKREST) WITH THE CHILD IN THE PRODUCT.
- IF A SHEET IS USED, CHECK THAT DIMENSIONS FIT THE DIMENSIONS OF THIS BASSINET.

- DO NOT PLACE IN OR NEAR THIS BASSINET ANY CORD, STRAP OR SIMILAR ITEM THAT COULD BECOME WRAPPED AROUND A CHILD'S NECK.
- DO NOT PLACE THIS BASSINET NEAR A WINDOW OR A PATIO DOOR WHERE A CHILD COULD REACH THE CORD OF A BLIND OR CURTAIN AND BE STRANGLING.

NOTICE

THIS ARTICLE MEETS OR EXCEEDS ALL REQUIREMENTS COVERED IN ASTM F 2194 STANDARD AND LATEST REVISIONS.

instructions for use using the Navetta XL

- 1• **HOOD:** To attach the hood, fasten the clips (fig._a) and then the buttons on the sides (fig._b) and, if present, the back (fig._c).
- 2• There is a special section in the hood that allows you to see the child from any angle.
- 3• **COVER:** Put the cover in place and button it on both sides.
- 4• It is possible to attach the cover to the hood, thus providing the child with greater protection from the elements: Unfasten the cover at the sides (arrow_a), fold it up (arrow_b) and fasten it to the hood with the Velcro (arrow_c).

- 5• HANDLE: Rotate the handle upwards until it clicks into place (arrow_a). The handle is only locked in place when it is in the vertical position. To lower the handle, press the two round buttons at the same time (arrow_b) and rotate it downwards (arrow_c). The handle is useful for carrying the Navetta XL (fig_d) and for fitting it to chassis and strollers.
- 6• ROCKING POSITION: The base of the Navetta XL has a special shape which allows you to rock the child when it is placed on a flat surface.
- 7• COT POSITION: It is possible to make the Navetta XL into a non-rocking cot by opening out the two legs under the base.
- 8• ADJUSTING THE BACKREST and THE FOOTREST: with the COMFORT SYSTEM, backrest and footrest can be adjusted simultaneously. Pull the knob outwards (fig_a) while turning it (fig_b) to raise or lower the backrest and the footrest.
- 9• FOUR SEASONS SYSTEM: There are holes under the base of the Navetta XL which can be opened or closed to adjust the air circulation inside it. To open the holes, move the 4 levers outwards.

ganciomatic system

- 10• Ganciomatic is the quick, practical system that allows you to attach the Navetta XL to the chassis. To attach the Navetta XL, put it on the chassis and press with both hands until it clicks into place. Always apply the brakes on the chassis before attaching and removing the Navetta XL. Check that the bassinet unit is properly attached.
 - To release it, raise the lever of the Ganciomatic clip (arrow_a) and lift up the Navetta XL (arrow_b).

removing the lining

- 11• REMOVING THE LINING OF THE NAVETTA XL: Unbutton the hood on the sides and the back (fig_a), press down on the clips to release them (fig_b) and pull the hood upwards to remove it.
- 12• Unbutton the cover and remove it (fig_a), raise the backrest, detach the inner lining (fig_b) and pull it upwards to remove it (fig_c).

padding cleaning instructions

- Brush the fabric parts to remove dust and hand wash at a maximum temperature of 30° without wringing.
- Do not use chlorine bleach.
- Do not iron.
- Do not dry clean.
- Do not remove stains with solvents and do not tumble dry.



product cleaning

- This product requires a small amount of maintenance. Cleaning and maintenance must only be carried out by adults.
- Keep all moving parts clean and if necessary lubricate them with light oil.
- Clean the plastic parts periodically with a damp cloth. Do not use solvents or similar substances.
- Brush the fabric parts to remove dust.
- Protect the product from atmospheric agents: humidity, rain or snow. Extended exposure to sunshine can cause colour changes in many

ES_Español

Le agradecemos haber elegido un producto Peg-Pérego.

ADVERTENCIA

LEER ATENTAMENTE ESTAS INSTRUCCIONES Y CONSERVARLAS EN SU RESPECTIVO ALOJAMIENTO DURANTE TODA LA VIDA ÚTIL DEL PRODUCTO. EL INCUMPLIMIENTO DE ESTAS ADVERTENCIAS E INSTRUCCIONES PODRÍA OCASIONAR LESIONES GRAVES O LA MUERTE.

- NO UTILICE ESTA CUNA SI NO PUEDE RESPETAR LAS INSTRUCCIONES ADJUNTAS.
- NO UTILICE ESTA CUNA SI EL NIÑO PUEDE GIRAR O TIENE EL PESO LÍMITE RECOMENDADO POR EL FABRICANTE.
- ESTE PRODUCTO SE HA CONCEBIDO PARA BEBÉS DESDE EL NACIMIENTO HASTA LOS 9 KG DE PESO.
- RIESGO DE CAÍDA: NO UTILIZAR ESTE MOISÉS CUANDO EL BEBÉ EMPIECE A APOYARSE SOBRE LAS MANOS O LAS RODILLAS O ÉSTE PESE ALREDEDOR

materials.

- Store the product in a dry environment.

serial numbers

13. Information about the production date of Navetta XL can be found under the base.
- Product name, production date and serial number. This information is required for any complaints.

peg-pérego after-sales service

If any parts of the item get lost or damaged, only use genuine Peg Pérego spare parts. For any repairs, replacements, information on the products and sales of genuine spare parts and accessories, contact the Peg Pérego Assistance Service and state the serial number of the product, if present.

USA:

tel. 800.671.1701

fax: 260.471.6332

call us toll free: 1.800.671.1701

web site: www.pegperego.com

Peg-Pérego reserves the right to make any necessary changes or improvements to the products shown at any time without notice.

This document was created with Win2PDF available at <http://www.win2pdf.com>.
The unregistered version of Win2PDF is for evaluation or non-commercial use only.
This page will not be added after purchasing Win2PDF.