



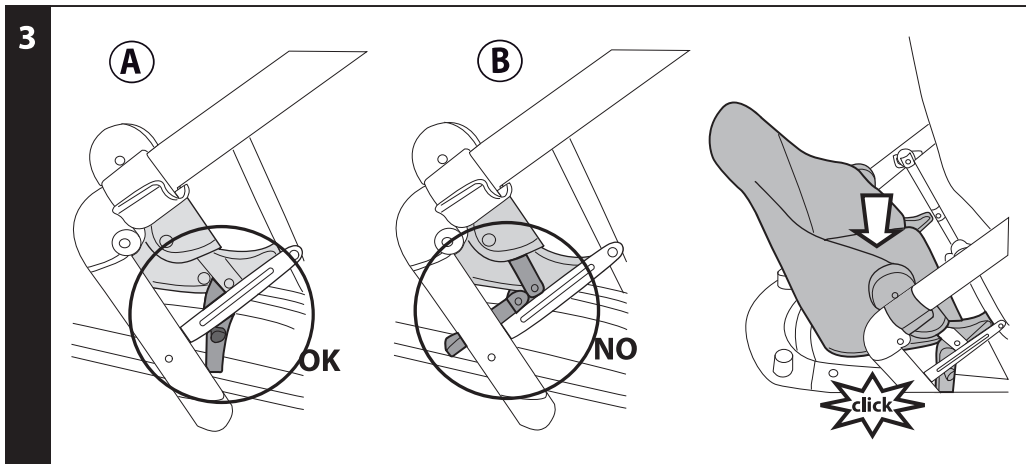
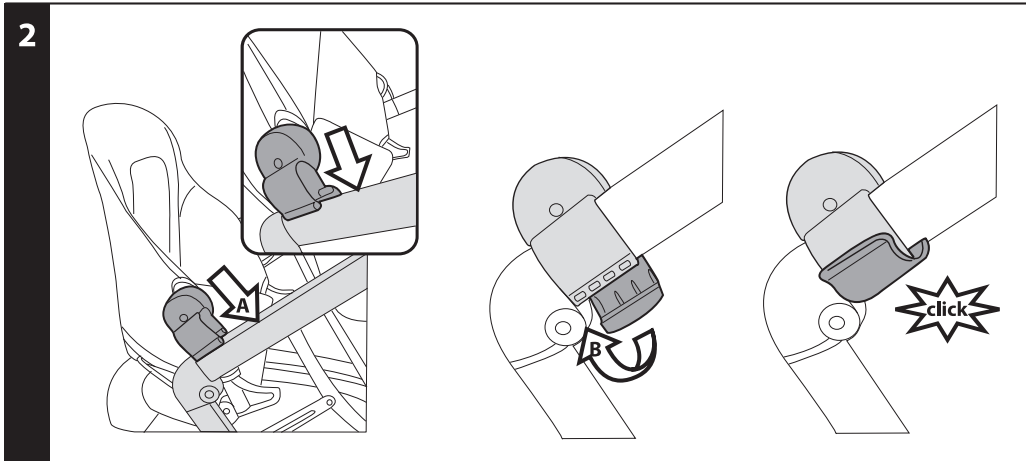
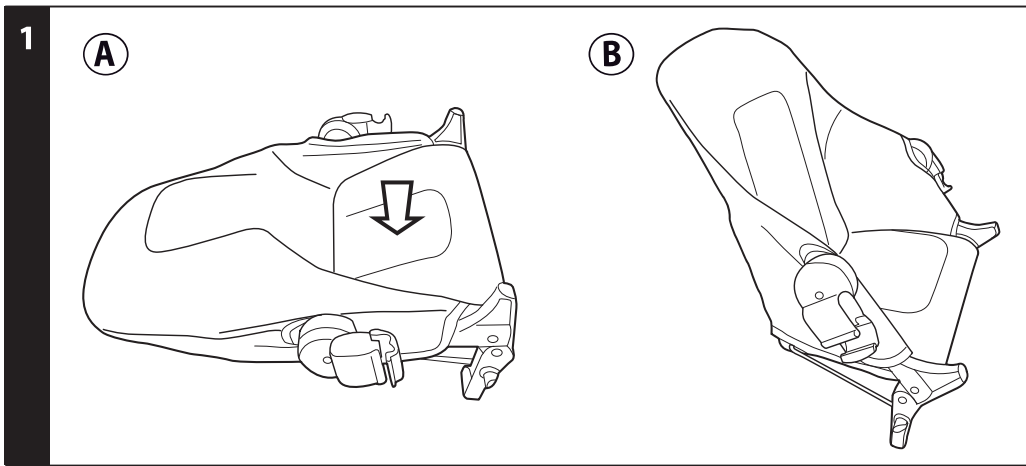
U.S.A./CANADA

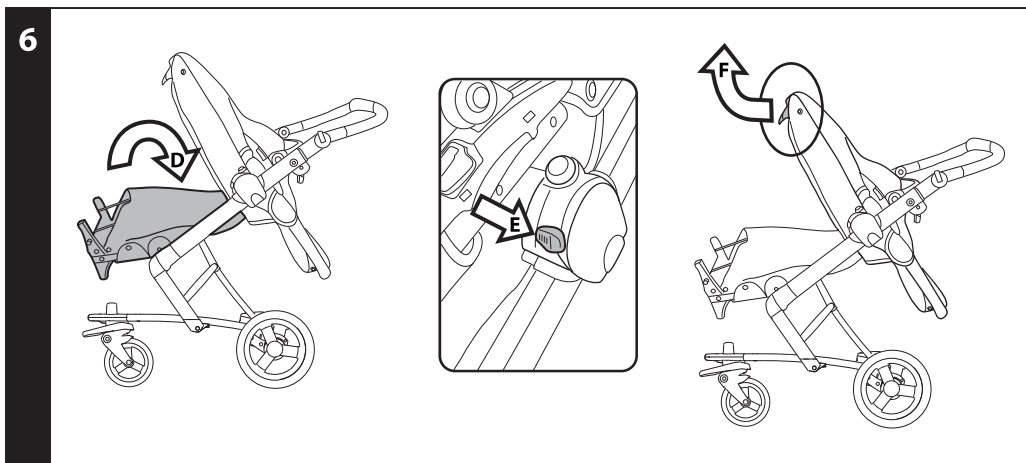
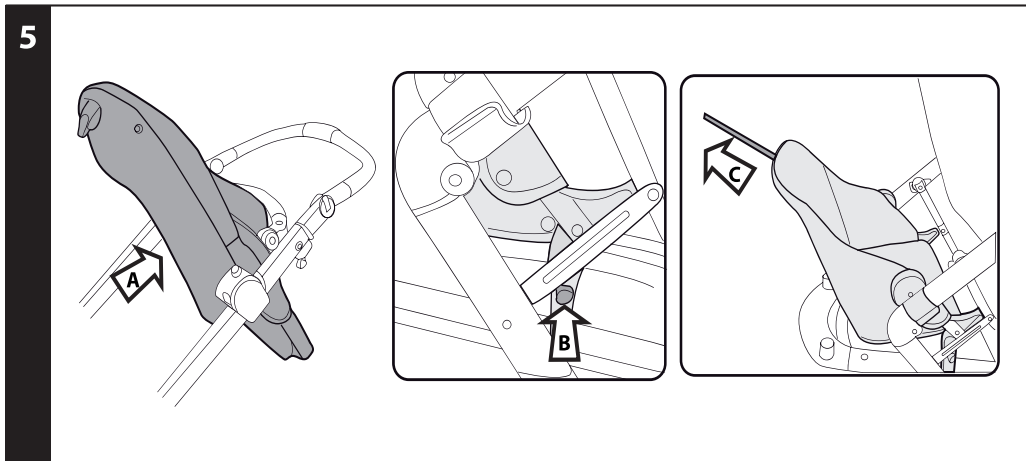
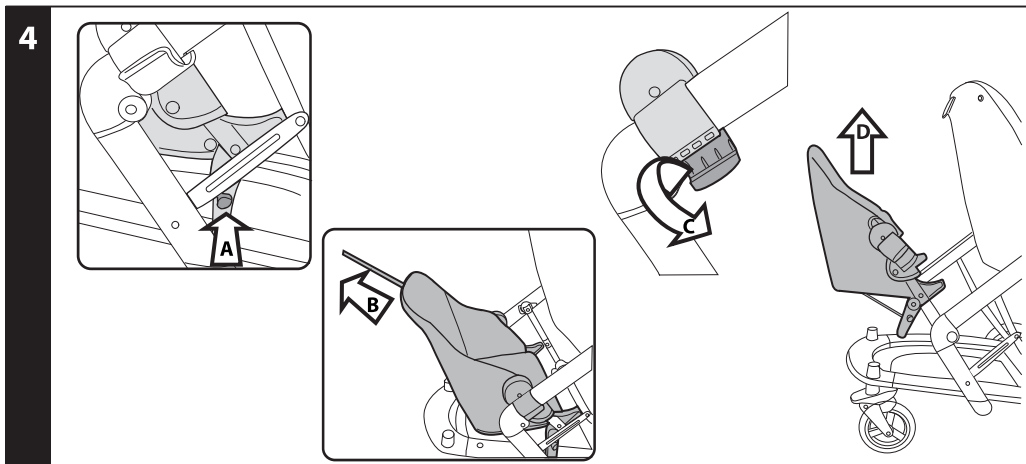
- EN Instructions for use
- ES Instrucciones de uso
- FR Notice d'emploi

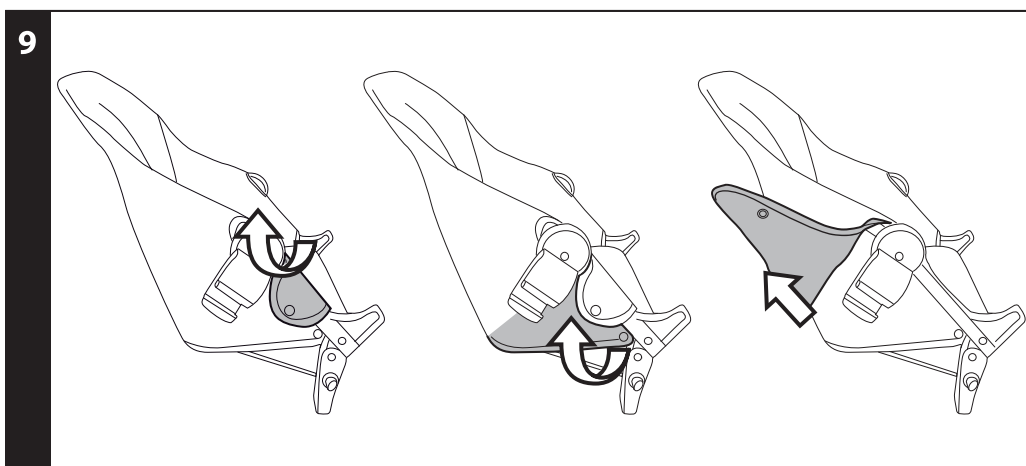
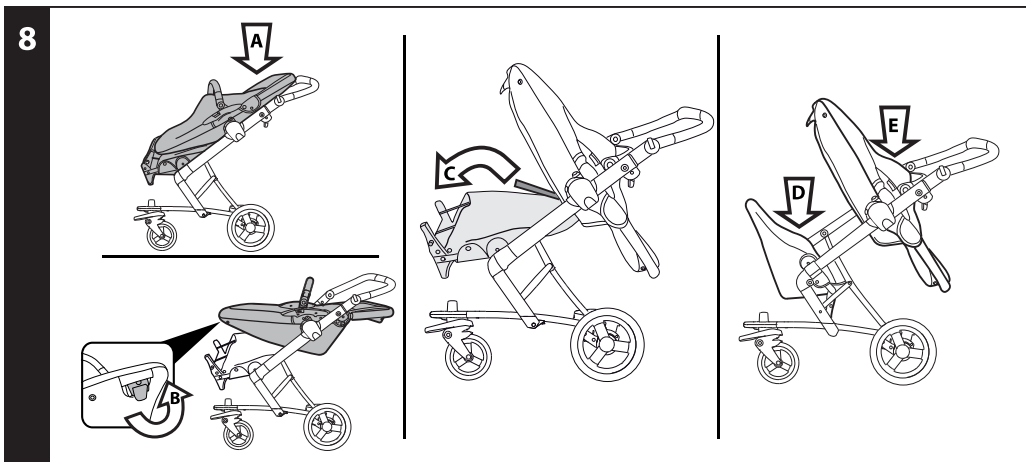
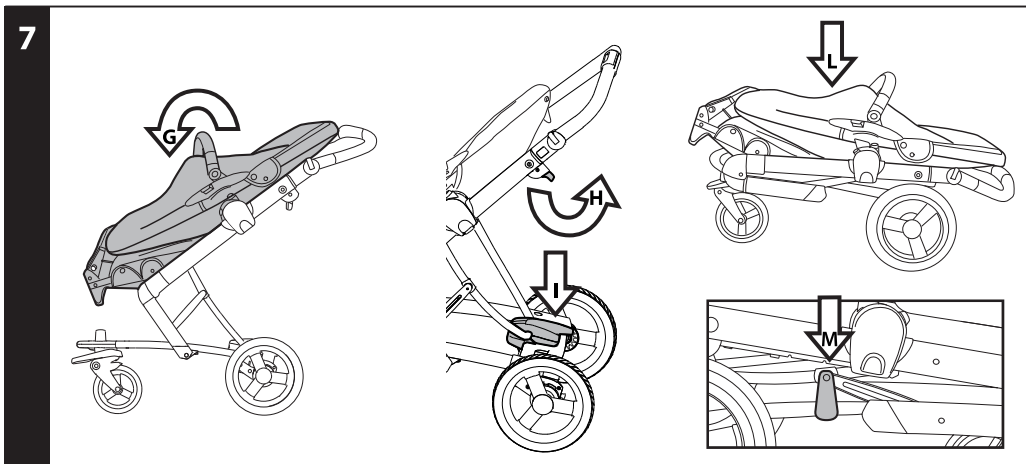


skate jumper seat



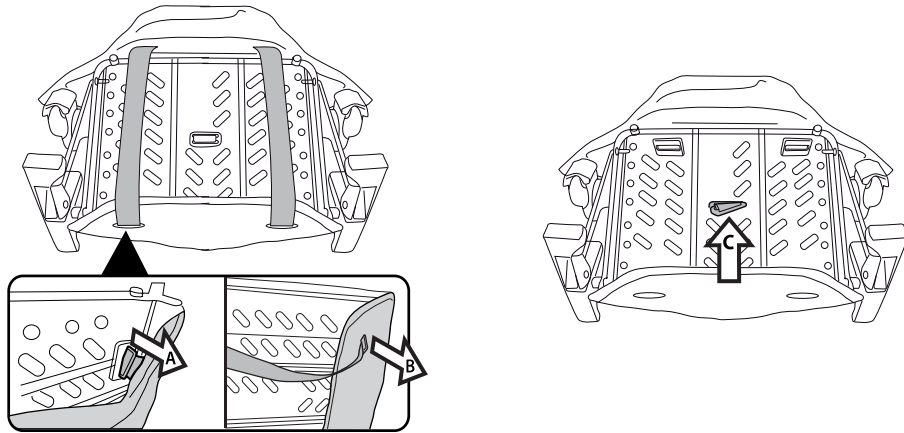




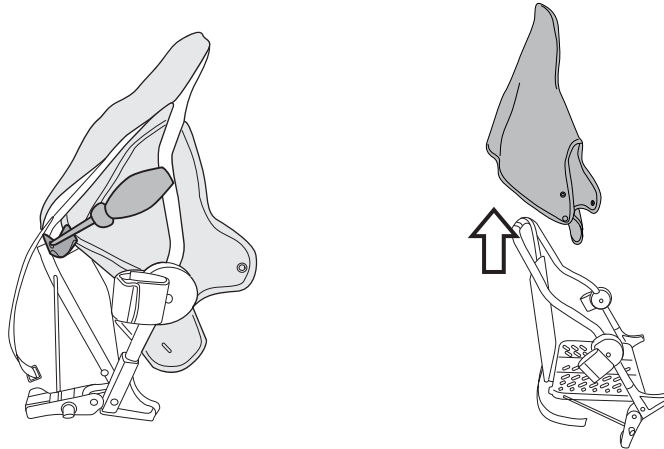




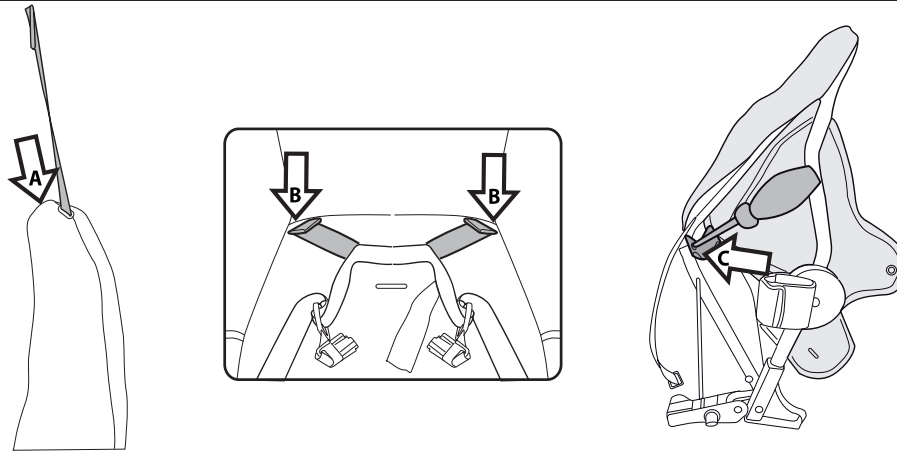
10



11

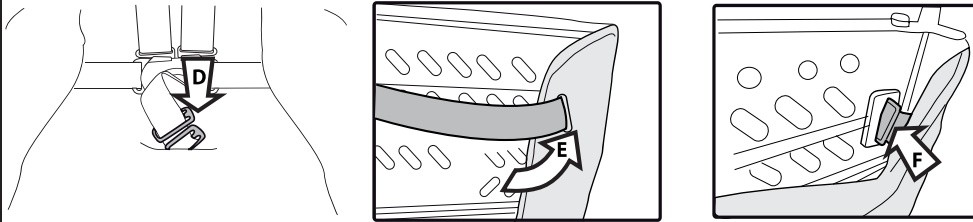


12

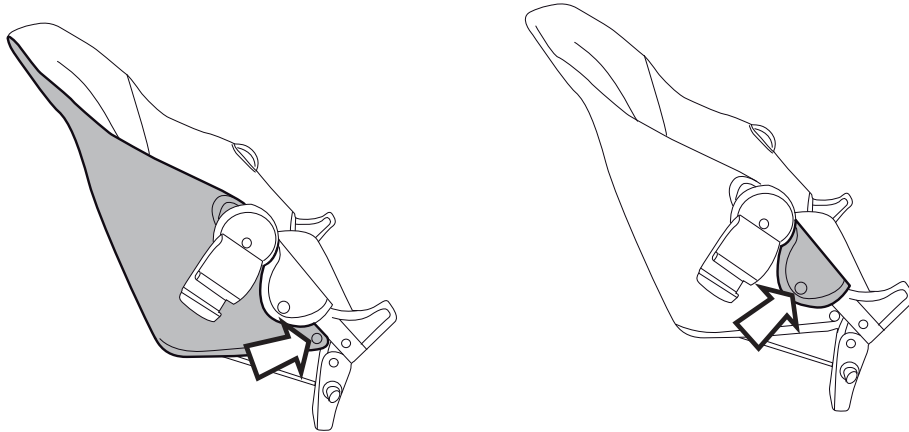




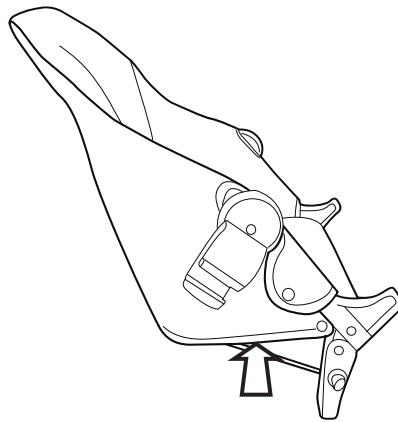
13



14



15





EN_English

Thank you for choosing a Peg-Pérego product.

WARNING

- **CAREFULLY READ INSTRUCTIONS AND KEEP FOR FUTURE USE. THE CHILD'S SAFETY COULD BE PUT AT RISK IF THE INSTRUCTIONS ARE NOT FOLLOWED.**
- THIS PRODUCT IS DESIGNED FOR A CHILD WHOSE MAXIMUM WEIGHT IS 40 POUNDS (18 KG) AND WHOSE MAXIMUM HEIGHT IS 43 INCHES (110 CM).
- THIS PRODUCT IS DESIGNED FOR A CHILD FROM 6 MONTHS AGE WHOSE MINIMUM WEIGHT IS 20 POUNDS (9 KG).
- THIS PRODUCT IS DESIGNED TO BE FASTENED ONLY TO THE SKATE SYSTEM FRAME AND IN COMBINATION WITH THE SKATE SEAT UNIT OR THE CAR SEAT.
- FAILURE TO FOLLOW MANUFACTURER'S SPECIFICATIONS OR USE OF ACCESSORIES OTHER THAN THOSE APPROVED BY THE MANUFACTURER MAY CAUSE THE UNIT TO BECOME UNSTABLE.
- AVOID SERIOUS INJURY FROM FALLING OR SLIDING OUT. ALWAYS USE SEAT BELT.
- NEVER LEAVE YOUR CHILD UNATTENDED.
- ALWAYS USE ALL THE BRAKES WHEN EVER PARKED.
- TO AVOID SERIOUS INJURY, WHEN MAKING ADJUSTMENTS ENSURE THE CHILD'S BODY IS CLEAR OF ALL MOVING PARTS.
- ALL OPERATING AND ASSEMBLY PROCEDURES SHOULD BE PERFORMED BY AN ADULT.
- DO NOT LIFT THE STROLLER BY GRIPPING THE FRONT BAR. THE FRONT BAR IS NOT DESIGNED TO WITH STAND LOADS.
- ENSURE THAT THE STROLLER IS

OPENED CORRECTLY AND LOCKED IN POSITION OF USE.

- CHECK TO MAKE SURE THAT THE CAR SEAT OR THE SEAT UNIT IS CORRECTLY FASTENED TO THE STROLLER (WHERE APPLICABLE).
- DO NOT DRIVE THIS PRODUCT AROUND STAIRS OR STEPS; CARE MUST BE TAKEN IF UNIT IS USED ON STAIRS OR ESCALATORS.
- DO NOT USE THE PRODUCT IF IT HAS BROKEN OR MISSING PARTS.
- DO NOT USE NEAR FIRE OR EXPOSED FLAME.

NOTICE

THIS ARTICLE MEETS OR EXCEEDS ALL REQUIREMENTS COVERED IN ASTM F833 AND LATEST REVISIONS.

ITEM FEATURES

SKATE JUMPER SEAT

- The item is given a serial number.
- Do not use without the Skate SYSTEM chassis.
- The Skate Jumper Seat can only be used facing the mother.

ITEM COMPONENTS

- Check the contents of the packaging. For any complaints, please contact Customer.
- The Skate Jumper Seat comes with a cover and strap.

INSTRUCTIONS FOR USE

SKATE CHASSIS

Enable the brake on the Skate System chassis.

1. **OPENING** the Skate Jumper Seat: to open it correctly, press downwards on the seat (Fig. a). Fig. b shows the seat duly opened.
2. **FASTENING** the Skate Jumper Seat: ensure the fastening levers placed on the articulated joints are open, as in Figure A. Fasten them to the chassis as indicated, and close them until you hear them click. This signals that they are duly fastened.
3. Next, ensure the seat is duly fastened by checking that the safety button (placed to the right of the seat) is under the side bar of the chassis (Fig. a). If the Skate Jumper Seat is not fastened properly, press down on the seat until it clicks into place.





4. REMOVING the Skate Jumper Seat: press the safety button (Fig. a) and, at the same time, pull upwards on the strap placed on the backrest of the Skate Jumper Seat (Fig. b). Unfasten the two side levers (Fig. c) and remove the seat from the chassis (Fig. d).
5. FOLDING UP: **only when a Skate seat is installed may the Skate System be folded up with the second Skate Jumper Seat still attached.** In this case, place the Skate seat in the highest position. Lift the seat and backrest of the Skate seat (Fig. a), press the safety button (Fig. b), and at the same time pull upwards on the strap placed on the backrest of the Skate Jumper Seat (Fig. c).
6. Rotate the seat (Fig. d) underneath the backrest of the Skate seat, while at the same time pulling the safety lever on the Skate System frame (Fig. e). Lift the handle placed behind the backrest of the Skate seat (Fig. f)
7. and rotate it completely (Fig. g). It is now possible to fold the chassis: turn the lever on the right hand side of the handle upwards and then do the same with the one on the left (Fig. h). Press the central closure pedal with your foot (Fig. i) and lower the Skate chassis (Fig. l). The closure clip will automatically lock on the right hand side of the chassis (Fig. m). To fold the Skate chassis more compactly, unfasten the Skate Seat and Skate Jumper Seat and extract the wheels.
WARNING: the closing sequence must be performed correctly, as indicated above. If, while the Jumper Seat is hooked in place, the levers placed below the handlebar tube are accidentally moved (Point 7 Fig.h) and the central closing pedal is pressed (Point 7 Fig.i), for maximum safety it is important to perform the following operations:
 - point 5 Fig. a, b, c
 - point 6 Fig. d;
 - fold the frame downwards until it clicks and unblock the two levers placed below the handlebar tube;
 - open the frame again by pulling on the central handle, until it clicks into place.
8. OPENING THE CHASSIS: open the chassis following the instructions contained in the chassis manual. Next, rotate the Skate seat to the first fastening position, putting pressure on the footrest (Fig. a), and then rotate it to the vertical position, lifting the handle placed behind the backrest (Fig.b). Pulling upwards on the strap placed on the backrest of the Skate Jumper Seat helps rotate the seat completely (Fig.c). Press the Skate Jumper Seat downwards until it clicks into place (Fig.d). Press the Skate seat downwards (Fig.e).

How to remove the lining from the Skate Jumper Seat

9. Unfasten the two sack buttons from the chassis, one after the other, and pull the sack upwards.
10. Unfasten the support straps placed under the seat, sliding them out from the seat (Fig.a) and then out through the sack loops (Fig.b). Repeat on both sides. Remove the central leg divider, first from the seat and then from the sack (Fig.c).
11. Unscrew the side straps and remove them on both sides. Slide the sack off from the top, in proximity of the backrest.

How to replace the lining on the Skate Jumper Seat

12. Slide the sack onto the chassis. Warning: the backrest strap must be inserted through the sack loop (Fig.a). Insert the waist strap in the hole of the Skate seat (Fig. b) and screw the strap on using a Phillips screwdriver (Fig. c).
13. Slip the lower leg divider through, under the seat, leaving the higher leg divider above the sack (Fig. d). Fasten the support straps placed under the seat, sliding them through the fabric (Fig. e) and fastening them to the seat (Fig. f).
14. Fasten the two sack buttons to the chassis, one after the other, on both sides.
Ensure the lining has been replaced correctly by pressing down on the seat.

SERIAL NUMBERS

15. The Skate Jumper Seat bears the following information: product name, production date and serial number. This information is required in the event of a complaint.

CLEANING AND MAINTENANCE

PRODUCT MAINTENANCE: protect from the weather: water, rain, or snow; prolonged and continuous exposure to bright sunlight may give rise to colour changes of various different materials; store this product in a dry place. Conduct regular control and maintenance operations on the main components, in particular as regards the solidity of the support straps.

CLEANING THE CHASSIS: periodically clean all plastic parts with a damp cloth. Do not use solvent or similar cleaning products; keep all metal parts dry to prevent rusting; keep moving parts clean (adjustment mechanisms, locking mechanisms, wheels, ...) and free of dust and sand and, if necessary, lubricate with light machine oil.





CLEANING FABRIC PARTS: brush fabric parts to remove dust and wash by hand at a maximum temperature of 30°C; do not wring; do not use chlorine bleach, do not iron; do not dry clean; do not apply solvent-based stain removers and do not dry in a tumble dryer.



PEG-PÉREGO S.p.A.



Peg-Pérego S.p.A. is an ISO 9001 certified company. This certification is a guarantee for customers and consumers of the transparency and trustworthiness

of the company's procedures and working methods. Peg Pérego can make changes at any time to the models described in this publication for technical or commercial reasons. Peg Pérego is at the disposal of its customers and consumers to ensure that all their demands and queries are fully satisfied. It is a key part of our policy to ensure we are always aware of our customers' views and requirements. We would therefore be very grateful if, after using a Peg Pérego product, you take the time to fill in our CUSTOMER SATISFACTION QUESTIONNAIRE, making a note of any comments or suggestions you might have. You can find the questionnaire on the Peg Pérego website: www.pegperego.com

PEG-PÉREGO AFTER-SALES SERVICE

If any parts of the item get lost or damaged, only use genuine Peg Pérego spare parts. For any repairs, replacements, information on the products and sales of genuine spare parts and customer, contact the Peg Pérego Customer Service and state the serial number of the product, if present.

USA:

tel. 800.671.1701

fax: 260.471.6332

call us toll free: 1.800.671.1701

web site: www.pegperego.com

CANADA

tel. 905.839.3371

fax 905.839.9542

call us toll free 1.800.661.5050

website www.pegperego.com

Peg-Perego reserves the right to make any necessary changes or improvements to the products shown at any time without notice.

ES_Español

Le agradecemos haber elegido un producto Peg-Pérego.

⚠️ ADVERTENCIA

- **LEER ATENTAMENTE ESTAS INSTRUCCIONES Y CONSERVARLAS PARA FUTURAS CONSULTAS. LA SEGURIDAD DEL NIÑO PUEDE PONERSE EN PELIGRO SI NO SE SIGUEN ESTAS INSTRUCCIONES.**
- **DISEÑADO PARA UN NIÑO CON UN PESO MÁXIMO DE 18 KG Y UNA ALTURA MÁXIMA DE 110 CM.**
- **ESTE PRODUCTO ESTÁ DISEÑADO PARA NIÑOS DE 6 MESES DE EDAD Y DE POR LO MENOS 9 KG DE PESO.**
- **ESTE PRODUCTO ESTÁ DISEÑADO ÚNICAMENTE PARA ENGANCHARSE EN EL CHASIS SKATE SYSTEM EN COMBINACIÓN CON LA SILLA SKATE O LA SILLA DE AUTO.**
- **SI NO SE RESPETAN LAS INDICACIONES ESPECIFICADAS O SI SE USAN ACCESORIOS DIFERENTES DE LOS HOMOLOGADOS POR EL FABRICANTE, EL PRODUCTO PUEDE SER INESTABLE.**
- **PARA EVITAR LESIONES GRAVES POR CAÍDAS O QUE EL NIÑO ESCAPE LA SILLA DE PASEO, USAR SIEMPRE UN CINTURÓN DE SEGURIDAD.**
- **NO DEJAR NUNCA AL NIÑO SIN VIGILANCIA.**
- **USAR SIEMPRE TODOS LOS DISPOSITIVOS DE BLOQUEO CADA VEZ QUE LA SILLA DE PASEO NO ESTÉ EN MOVIMIENTO.**
- **PARA EVITAR LESIONES GRAVES, ASEGURARSE DE QUE EL NIÑO NO PUEDA MOVERSE PELIGROSAMENTE MIENTRAS SE REGULA EL PRODUCTO.**
- **TODAS LAS OPERACIONES DE ENSAMBLAJE DEBE REALIZARLAS SOLO UN ADULTO.**
- **NO LEVANTAR LA SILLA DE PASEO COGIÉNDOLA POR LA BARRA FRONTAL. LA BARRA FRONTAL NO HA SIDO DISEÑADA PARA SOPORTAR**



This document was created with Win2PDF available at <http://www.win2pdf.com>.
The unregistered version of Win2PDF is for evaluation or non-commercial use only.
This page will not be added after purchasing Win2PDF.