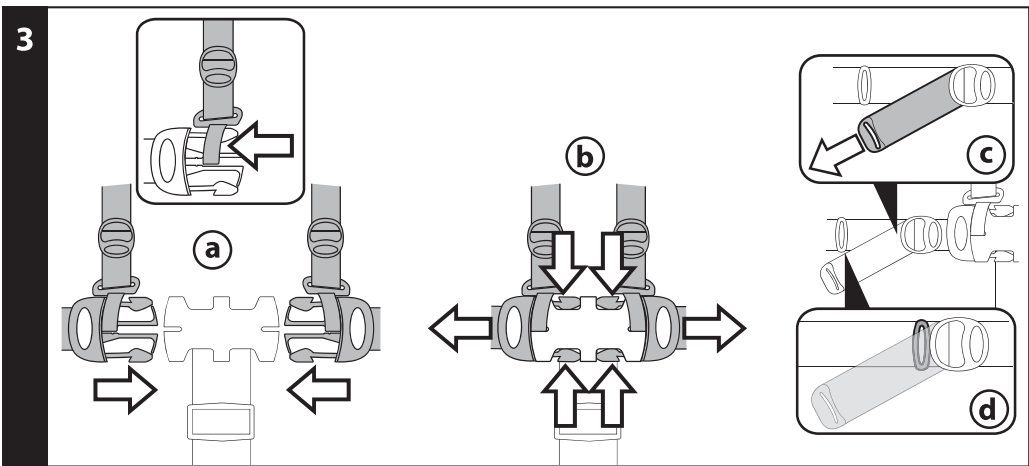
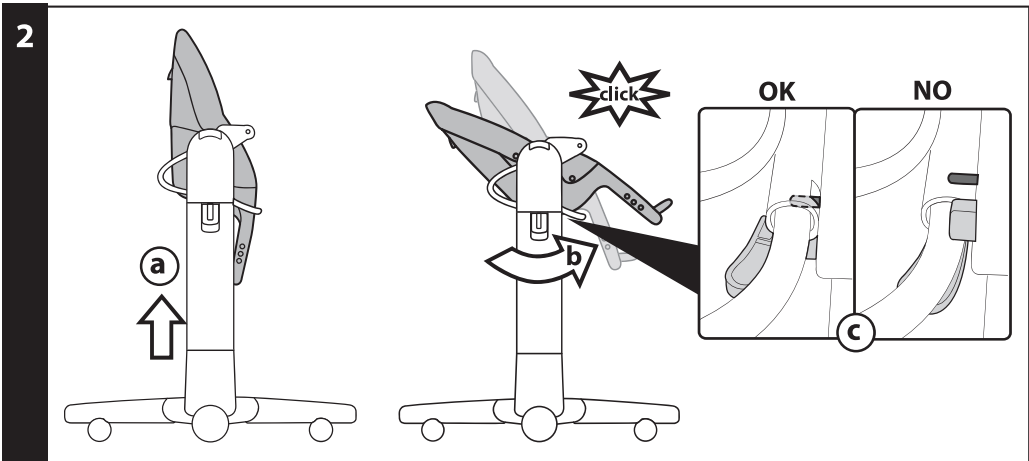
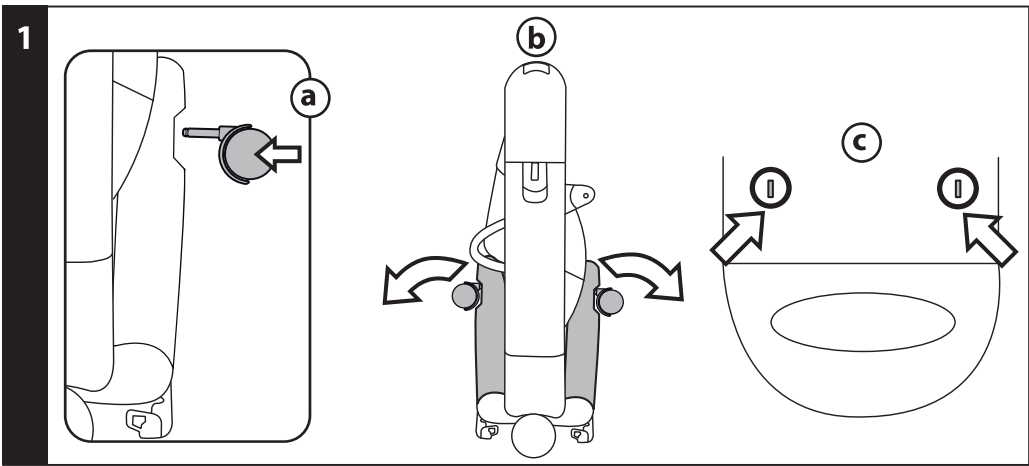
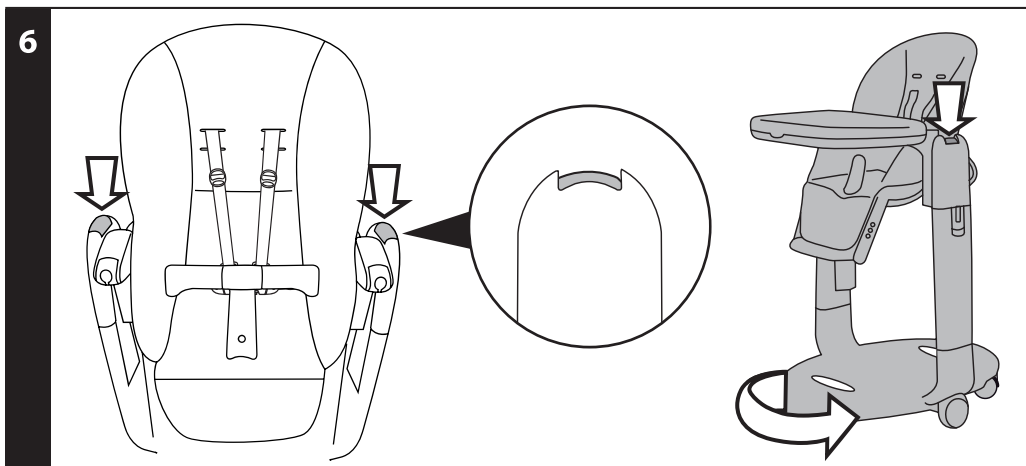
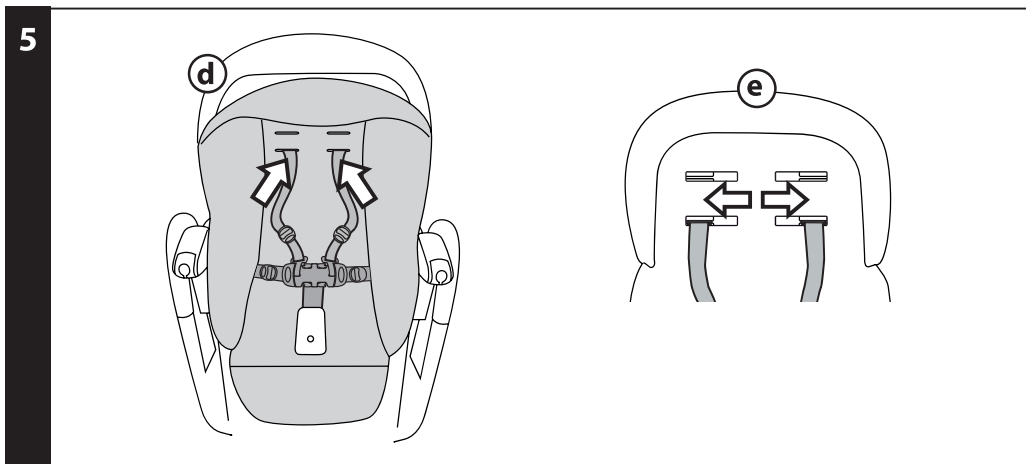
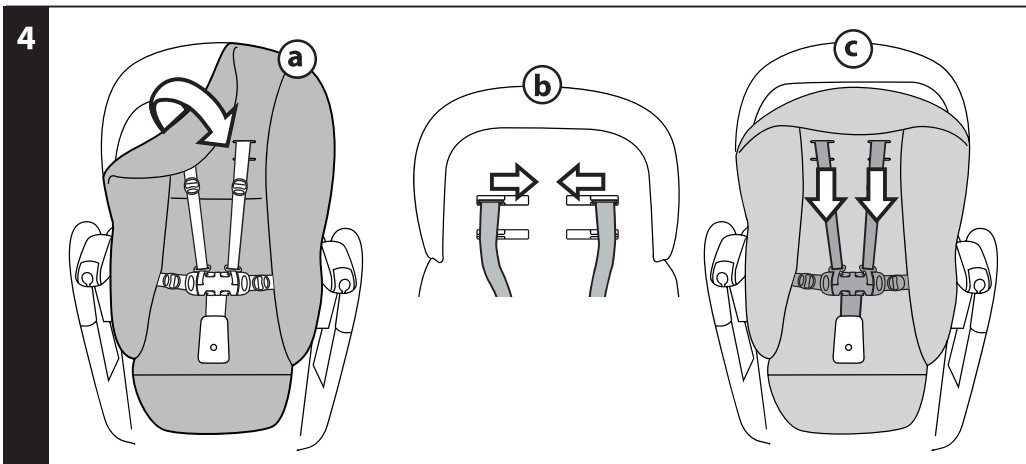


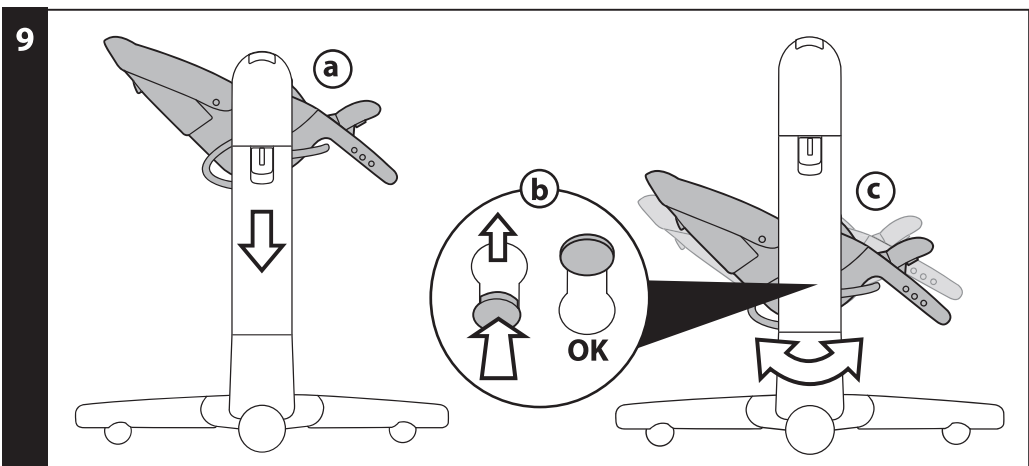
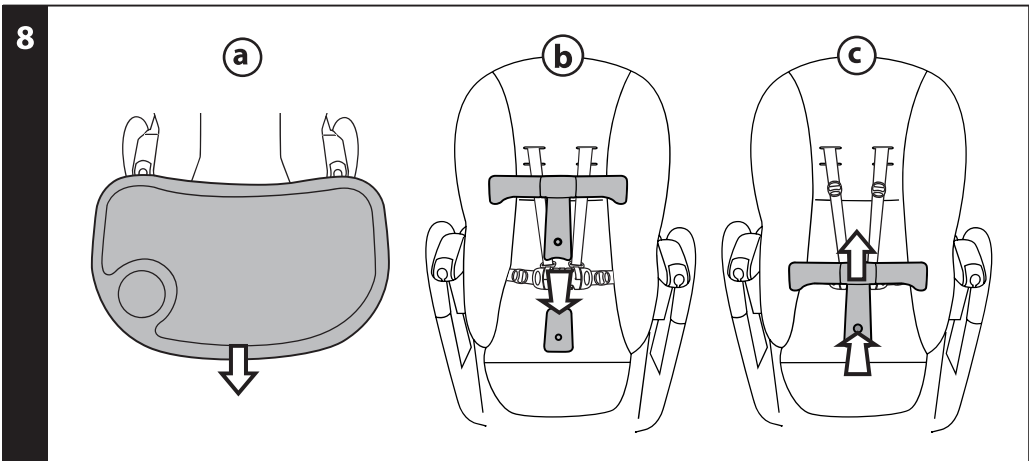
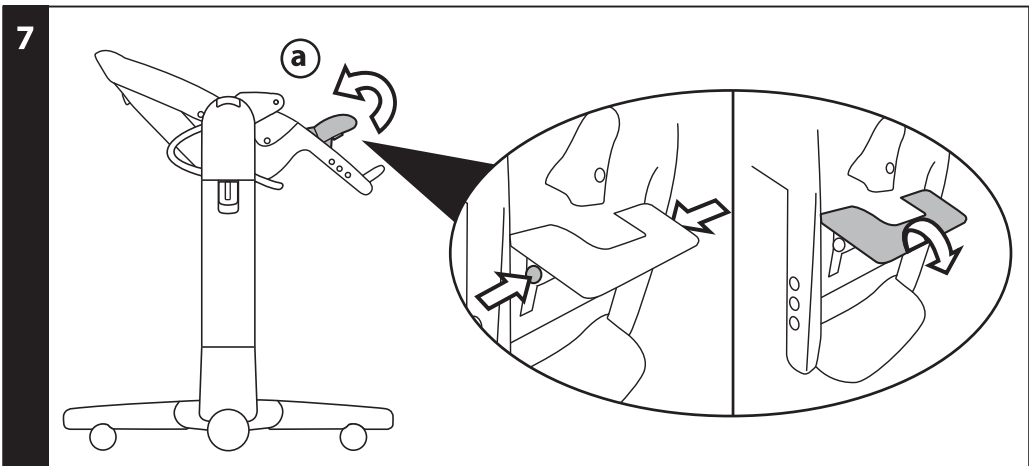


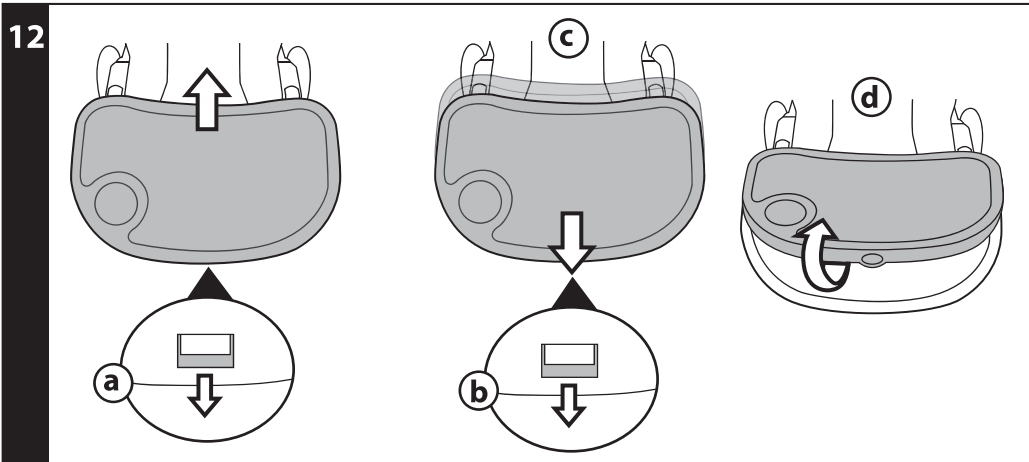
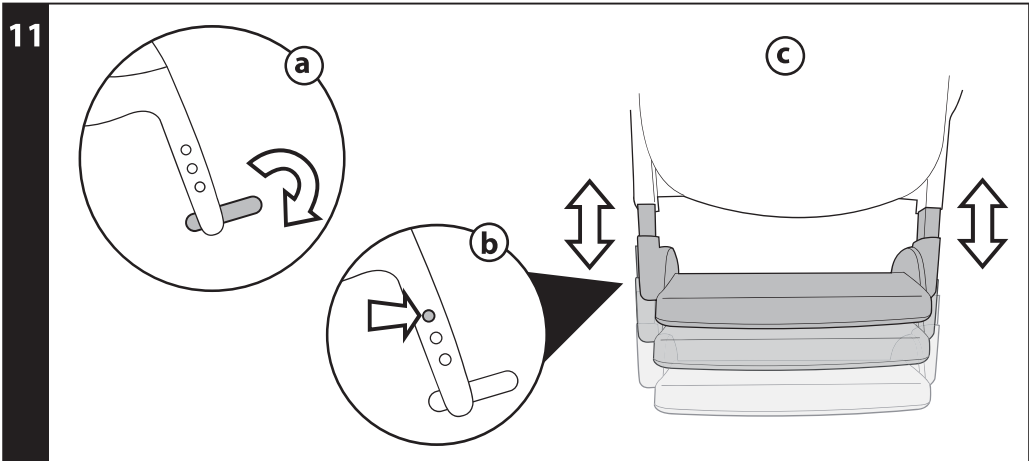
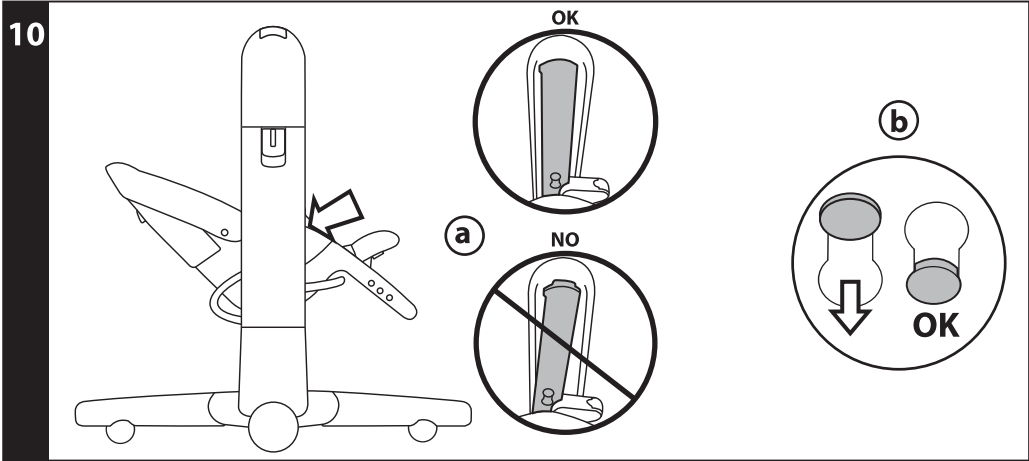
U.S.A./CANADA
EN Instructions for use
ES Instrucciones de uso
FR Notice d'emploi

tatamia

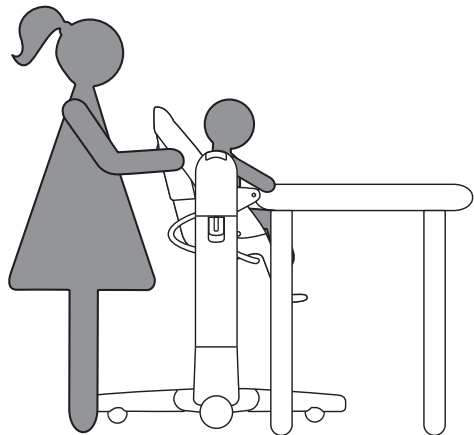
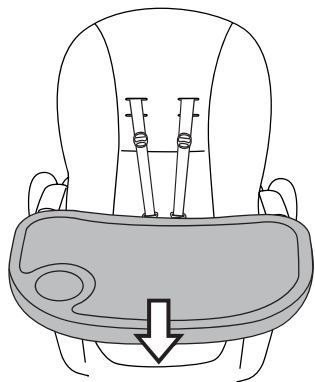




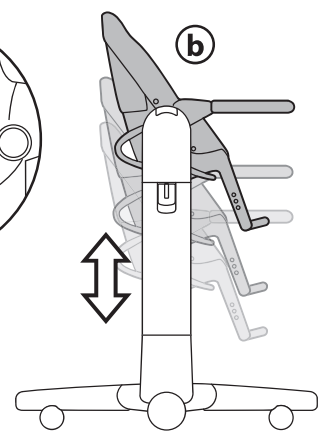
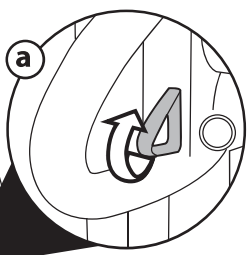
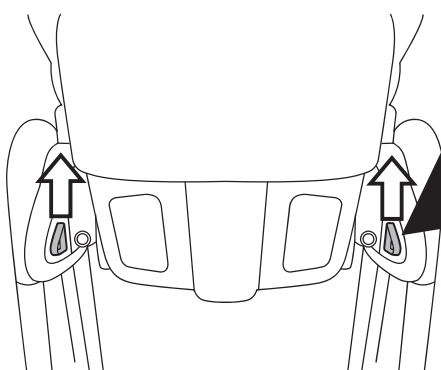




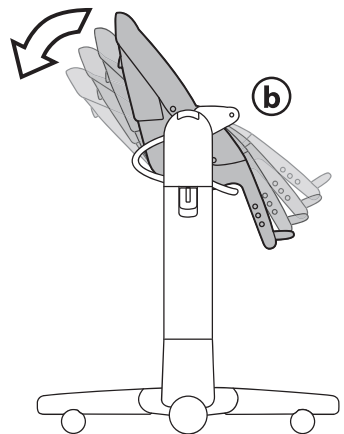
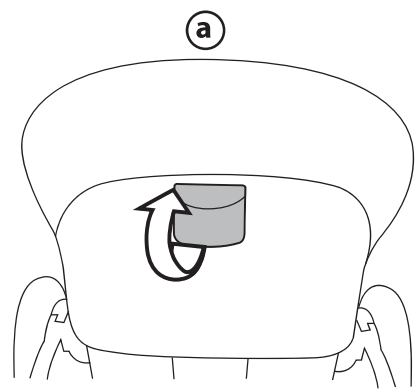
13

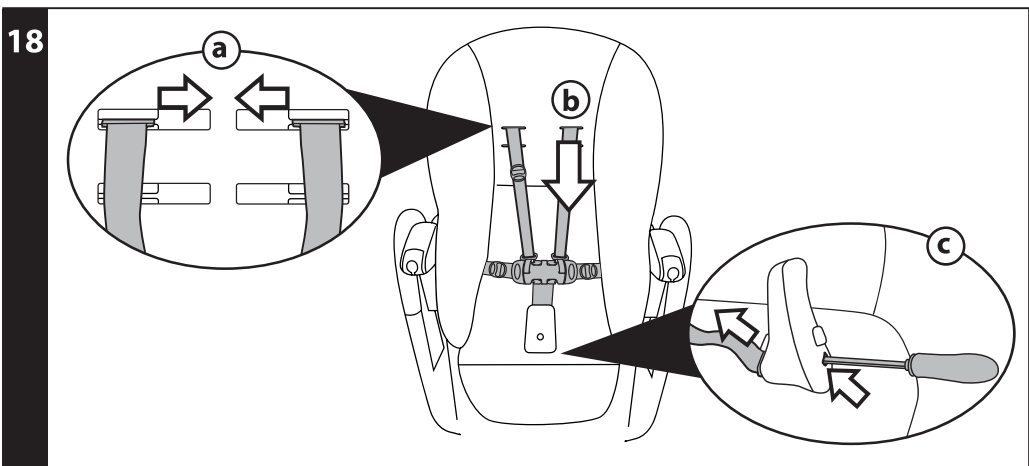
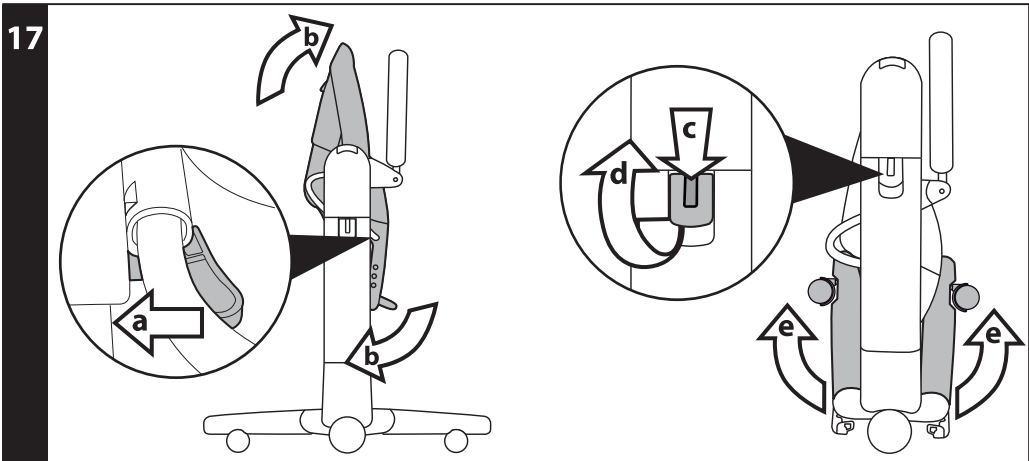
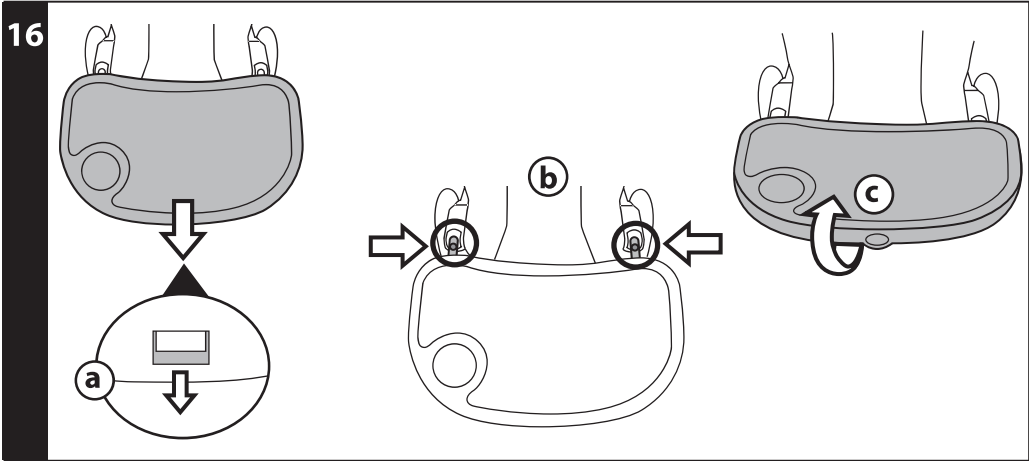


14

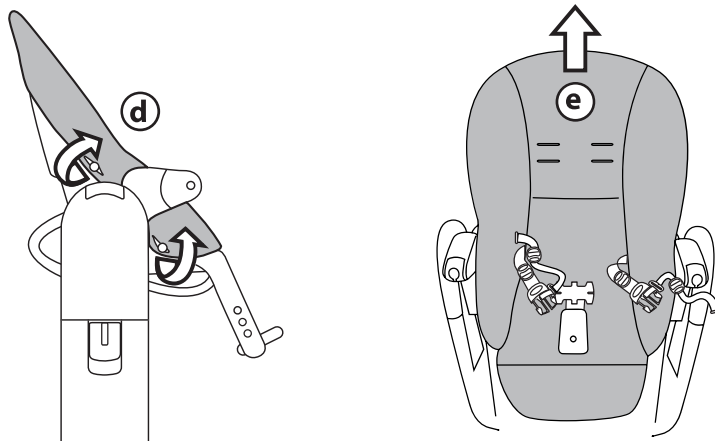


15

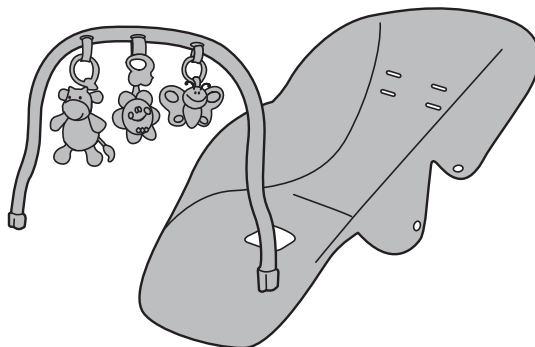




19

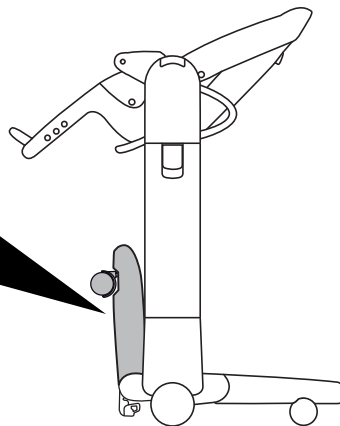


20

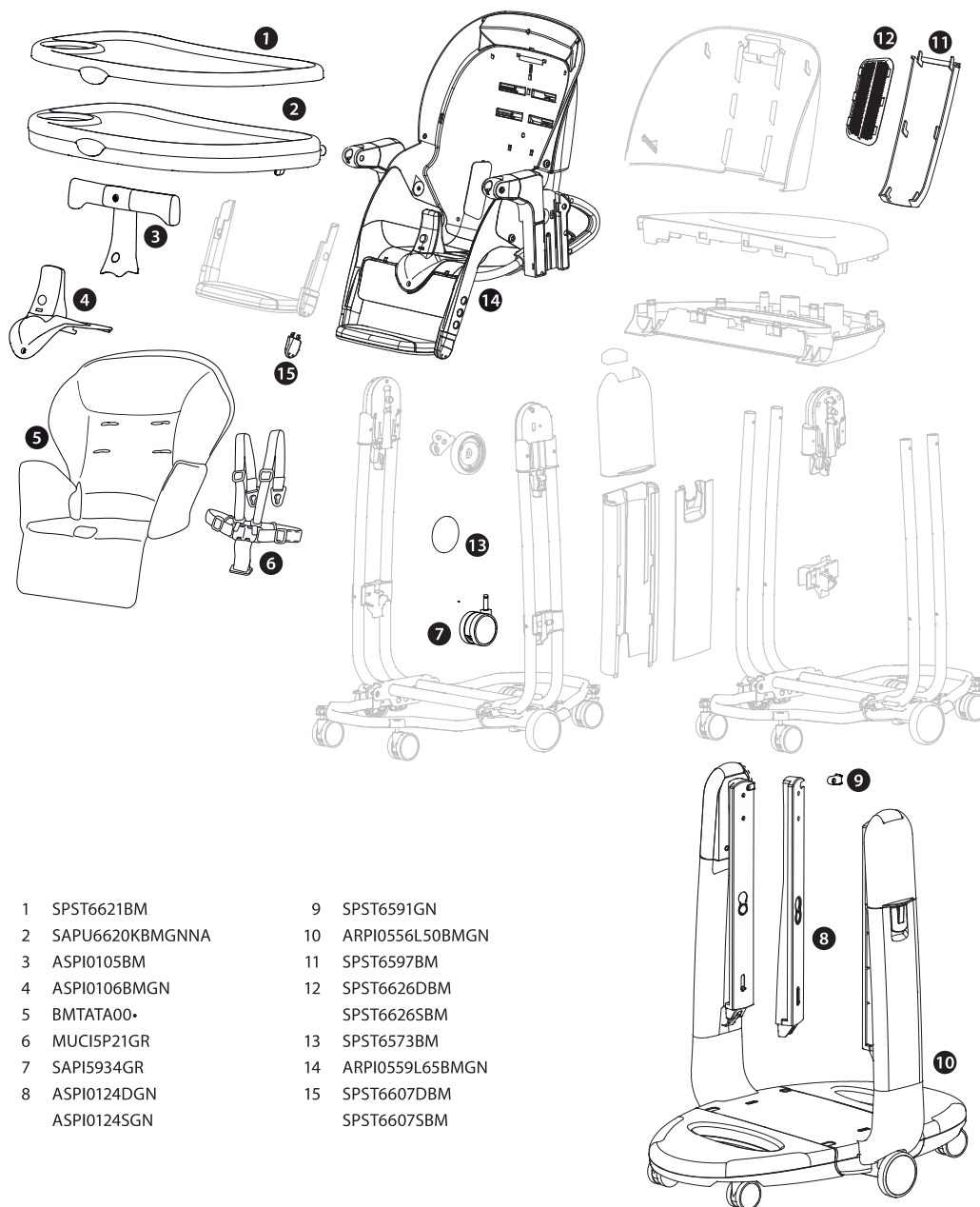


21

SERIAL NUMBER



Tatamia



- 1 SPST6621BM
- 2 SAPU6620KBMGNNA
- 3 ASPI0105BM
- 4 ASPI0106BMGN
- 5 BMTATA00•
- 6 MUCISP21GR
- 7 SAPI5934GR
- 8 ASPI0124DGN
- ASPI0124SGN

- 9 SPST6591GN
- 10 ARPI0556L50BMGN
- 11 SPST6597BM
- 12 SPST6626DBM
- SPST6626SBM
- 13 SPST6573BM
- 14 ARPI0559L65BMGN
- 15 SPST6607DBM
- SPST6607SBM

EN Spare parts available in different colours to be specified when ordering.

ES Repuestos disponibles en otros colores que se especificarán en el pedido.

FR Pièces de rechange disponibles en plusieurs couleurs à spécifier dans la demande.

EN_English

Thank you for choosing a Peg-Pérego product.

WARNING

- **IMPORTANT: READ THESE INSTRUCTIONS CAREFULLY AND KEEP THEM FOR FUTURE REFERENCE. FAILURE TO FOLLOW THESE INSTRUCTIONS COULD PUT THE CHILD'S SAFETY AT RISK.**
- ALL ASSEMBLY AND OPERATING PROCEDURES SHOULD BE PERFORMED BY AN ADULT; DO NOT USE THE PRODUCT IF IT HAS BROKEN OR MISSING PARTS.
- PREVENT SERIOUS INJURY OR DEATH FROM FALLS OR SLIDING OUT; ALWAYS USE COMPLETE 5 POINT SEATBELT; THE CHILD SHOULD BE SECURED IN THE HIGH CHAIR AT ALL TIMES, EITHER IN THE RECLINED OR IN THE UPRIGHT POSITION.
- ALWAYS USE THE CROTCH STRAP.
- NEVER LEAVE THE CHILD UNATTENDED; ALWAYS KEEP CHILD IN VIEW WHILE IN THE HIGHCHAIR.
- TRAY AND ACCESSORY TRAYS ARE NOT DESIGNED TO SUPPORT THE CHILD'S WEIGHT; TRAY IS NOT DESIGNED TO HOLD THE CHILD IN THE CHAIR.
- ALWAYS USE THE HIGHCHAIR ON A FLAT, HORIZONTAL SURFACE.
- IT IS RECOMMENDED THAT THE HIGH CHAIR BE USED IN THE UPRIGHT POSITION ONLY BY CHILDREN CAPABLE OF SITTING UPRIGHT.
- BE CAREFUL OF WHERE YOU PLACE THE PRODUCT. AVOID PLACING THE CHILD NEAR SAFETY HAZARDS SUCH AS ELECTRICAL CORDS, SOURCES OF HEAT, OR FLAMES.
- DO NOT PUT FINGERS IN THE MECHANISM. MAKE SURE YOUR CHILD'S ARMS AND LEGS ARE CLEAR OF THE MOVING PARTS DURING ADJUSTMENT.
- USING ACCESSORIES THAT

HAVE NOT BEEN APPROVED BY THE MANUFACTURER MAY BE HAZARDOUS.

- DO NOT USE THE PRODUCT NEAR STAIRS OR STEPS.
- BE CAREFUL NOT TO PLACE THE PRODUCT NEAR SOURCES OF HEAT OR FLAMES, SUCH AS GAS STOVES, ELECTRIC HEATERS, ETC.
- MAKE SURE THE BELT IS ATTACHED PROPERLY.
- DO NOT USE THE HIGH CHAIR UNLESS ALL OF THE PARTS ARE PROPERLY FITTED AND ADJUSTED.
- TO MAKE SURE THAT ANY HARNESS IS CORRECTLY FITTED

NOTICE:

- THIS ARTICLE MEETS OR EXCEEDS ALL REQUIREMENTS COVERED IN ASTM F404 STANDARD AND LATEST REVISIONS.

RECLINER

- WHEN USED AS A RECLINER, THIS PRODUCT IS DESIGNED FOR CHILDREN FROM BIRTH UP TO A WEIGHT OF 9 KG (19.8 lbs).
- DO NOT USE THE PRODUCT AS A RECLINER WHEN THE CHILD IS ABLE TO SIT UP ALONE.
- THE RECLINER IS NOT DESIGNED FOR LONG PERIODS OF SLEEP. IT SHOULD NOT BE USED AS A SUBSTITUTE FOR A COT. IF THE CHILD NEEDS TO SLEEP, HE/SHE SHOULD BE PLACED IN A SUITABLE COT.
- DANGER OF STRANGULATION: NEVER LEAVE THE CHILD IN THE RECLINER IF THE SAFETY HARNESS IS LOOSE OR UNDONE.
- RISK OF FALLING: IT IS DANGEROUS TO USE THE RECLINED CRADLE ON A RAISED SURFACE.

SWING

- WHEN USED AS A SWING, THE PRODUCT IS DESIGNED FOR CHILDREN FROM BIRTH UP TO 6 MONTHS OF AGE AND MAX 9 KG.

- _ KEEP A CLOSE EYE ON OTHER CHILDREN NEAR THE PRODUCT.
- _ DISCONTINUE USE OF SWING WHEN CHILD ATTEMPTS TO CLIMB OUT.
- _ TO USE THE PRODUCT AS A SWING, MAKE SURE THAT THE SEAT IS ALWAYS IN THE LOWEST POSITION WITH BACKREST COMPLETELY DOWN.
- _ ALWAYS USE THE PROTECTIVE FRONT BAR. IT IS NOT A REPLACEMENT FOR THE SAFETY HARNESS.
- _ THE PRODUCT IS DESIGNED FOR FAMILY DOMESTIC USE AND FOR INDOOR USE ONLY.

A single product which follows the growth of your child.

- _ From 0 to 6 months, a comfortable recliner and swing.
- _ From the age of 6 months, a high chair for eating, playing and relaxing.
- _ From the age of 12 months, a high chair without a tray, for sitting at the table with the adults.

COMPONENTS OF THE ITEM

Check the contents of the packaging and if you have any complaints please contact the Assistance Service.

- _ High chair with washable and removable padding, front bar, double tray and 4 wheels.

INSTRUCTIONS FOR USE

- 1 OPENING: Before opening the high chair, fit the wheels by pushing them in the direction of the arrow (fig_a). Lower the two support base sections one after the other to open the high chair. Slightly tilt the high chair to the side opposite the base section you are lowering (fig_b) and check the green rectangle to ensure it is open properly (fig_c). **WARNING: If the red rectangle is visible, the base has not been opened properly.**
- 2 Before using the high chair, raise the seat (fig_a), completely recline the backrest until it clicks into position (b) and make sure the pin is properly locked in place (fig_c).
- 3 FIVE POINT SAFETY HARNESS: To fasten the harness, insert the two waist strap buckles (with shoulder straps attached) into the leg divider strap until you hear a click (fig. a). To release it, press the sides of the buckle and simultaneously pull the waist strap outwards (fig. b). To tighten the waist strap, pull from both sides in the direction of the arrow (fig.

c). To loosen it, do the opposite. **The waist strap can be tightened as far as the safety stop (fig. d).**

- 4 The shoulder straps of the harness can be set at two different heights. Partially remove the upholstery (fig_a), release the shoulder straps from the backrest (fig_b) and pull them out from the sack (fig_c).
- 5 Insert the ends of the shoulder straps in the other slots in the upholstery (fig_d) and the backrest (fig_e), then put the sack back into the right position on the backrest.
- 6 BRAKE: For safety, the brake on the seat is always applied. To move the Tatamia, hold down the buttons at the top of each pillar while pushing it unit.

RECLINER-SWING

- 7 LEGREST FOR EARLY MONTHS: The chair is fitted with a leg rest for use when it is in the recliner-swing mode. Raise the leg rest by rotating it upwards (fig. a). Fold it away by pressing the two side buttons (fig. b) and rotating it downwards (fig. c).
- 8 RECLINER-SWING: Before placing the high chair in the recliner-swing mode, remove the tray (fig. a) and insert the front bar (fig. b). To remove the protective front bar, press the two buttons at its base and pull it out (fig_c).
- 9 SWING: To transform the chair into a swing, place the seat in the lowest position (fig. a) and press the red buttons on the inner part of the uprights, pushing them upwards (fig. b). Swing mode (fig. c).
- 10 To put it back in recliner or high chair mode, make sure that the side uprights of the seat are parallel with those of the frame (fig_a), then press the red buttons and push them downwards (fig_b).

HIGH CHAIR

- 11 FOOTREST: Lower the footrest (fig. a), press the two side buttons (fig. b) and select one of the three available heights.
- 12 TRAY: To fit the tray, pull the central lever underneath it towards you while at the same time pushing it all the way into the armrests (fig_a). To extend or remove the tray, pull the central lever underneath it towards you (fig_b) and move it outwards (fig_c). To remove the tray, pull the side levers outwards and pull the tray towards you. The high chair has a double tray. The top tray can be easily washed in a dishwasher. To remove it, detach it from the lower tray and lift it up (fig. d).
- 13 USE WITHOUT THE TRAY: to use the seat at the table, remove the tray.
- 14 ADJUSTING THE HEIGHT: The seat can be set at 9 different heights. To raise or lower the seat, pull the two levers upwards (fig. a) and move it to the required position. This can also be done with the child in the high chair.

- 15 **RECLINING BACKREST:** The seat can be reclined in four positions: for eating, playing, relaxing or sleeping. To adjust it, raise the handle behind the backrest (fig. a) and lock it in the required position (fig. b). This can also be done with the child in the high chair.
- 16 **CLOSING AND REOPENING THE TRAY:** Pull the central lever underneath it towards you (fig. a) and extend it as far as the red markers (fig. b), then swing it upwards to lock it in place (fig. c). To reopen the tray, swing it downwards then pull the central lever towards you and put the tray in one of the positions for use.
- 17 **COMPACT CLOSURE:** before closing the high chair, it is necessary to fold up the tray. Put the backrest in the vertical position, then pull the two red levers on the sides of the seat outwards (Arrow_a). Rotate it downwards (Arrow_b), lower the seat to the bottom position and fold away the footrest. To raise the support bases, press the red levers on the sides of the uprights (Arrow_c) and at the same time lift the grey levers (Arrow_d). The bases will lift up automatically (Arrow_e). The high chair is freestanding when folded up.
- 18 **REMOVABLE COVERS:** To remove the seat covers, remove the upper part of the upholstery, then pull the harness straps out through the backrest (fig. a) and through the sack (fig. b). Push a screwdriver into the hole in the leg divider and pull out the belt (fig. c).
- 19 Unbutton the upholstery at the sides (fig. d) and pull up to remove it (fig. e).

ACCESSORIES

- 20 **TATAMIA & PRIMA PAPPÀ NEWBORN KIT:** a Soft Touch cover and a play bar with sound effects.

SERIAL NUMBERS

- 21 Information about the production date of TATAMIA can be found under the base.
 _ Product name, date of manufacture and serial number.
 This information is required for any complaints.

CLEANING AND MAINTENANCE

PRODUCT MAINTENANCE: protect from the weather: water, rain, or snow; prolonged and continuous exposure to bright sunlight may give rise to colour changes of various different materials; store this product in a dry place. The maintenance have to be regularly.
CLEANING THE UPHOLSTERY: periodically clean all plastic parts with a damp cloth. Do not use solvent or similar cleaning products; keep all metal parts dry to prevent rusting;

keep moving parts clean (adjustment mechanisms, locking mechanisms, wheels, ...) and free of dust and sand and, if necessary, lubricate with light machine oil all metallic moving parts. Check all nuts and bolts for tightness and tighten when required. Check all coverings for bolts and sharp edges and replace when required. Check swing seat and attachments for evidence of deterioration. Replace when required in accordance with the manufacturer's instructions.

CLEANING THE SACK: Wash with a damp cloth and neutral detergent. Do not wring. Do not use chlorine bleach. Do not iron. Do not dry clean. Do not use solvents for stain removal. Do not spin dry.



PEG-PÉREGO S.p.A.

Peg Pérego can make changes at any time to the models described in this publication for technical or commercial reasons.

PEG-PÉREGO AFTER-SALES SERVICE

If any parts of your Peg Pérego product should be accidentally mislaid or damaged, use exclusively genuine original Peg Pérego replacements. For any repairs, replacements, product information, and orders for genuine original replacement parts and accessories, please contact Peg Perego After Sales Service indicating the product serial number, if any.

USA

tel. 800.671.1701 fax 260.471.6332
 call us toll free 1.800.671.1701 website www.pegperego.com

CANADA

tel. 905.839.3371 fax 905.839.9542
 call us toll free 1.800.661.5050 website www.pegperego.com

This document was created with Win2PDF available at <http://www.win2pdf.com>.
The unregistered version of Win2PDF is for evaluation or non-commercial use only.
This page will not be added after purchasing Win2PDF.