



**U.S.A./CANADA/AUSTRALIA**

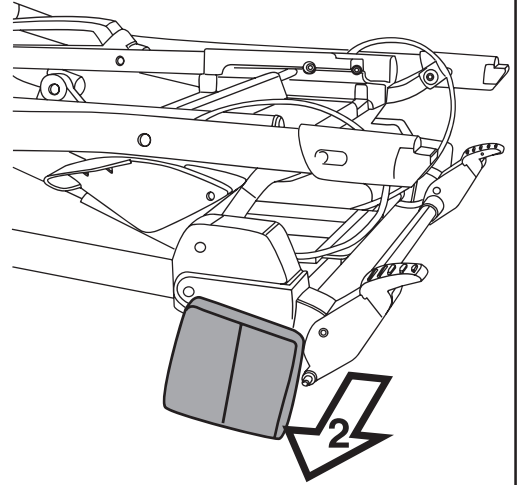
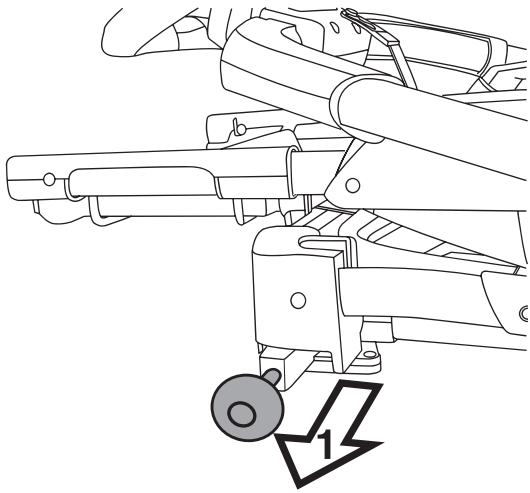
EN Instructions for use

ES Instrucciones de uso

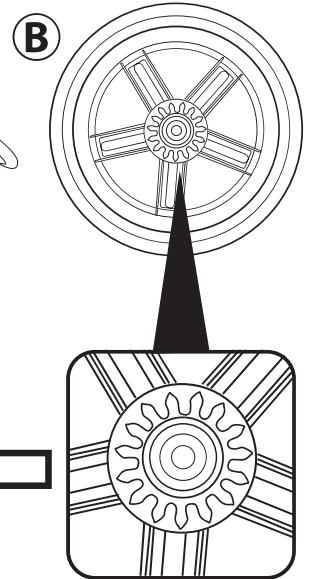
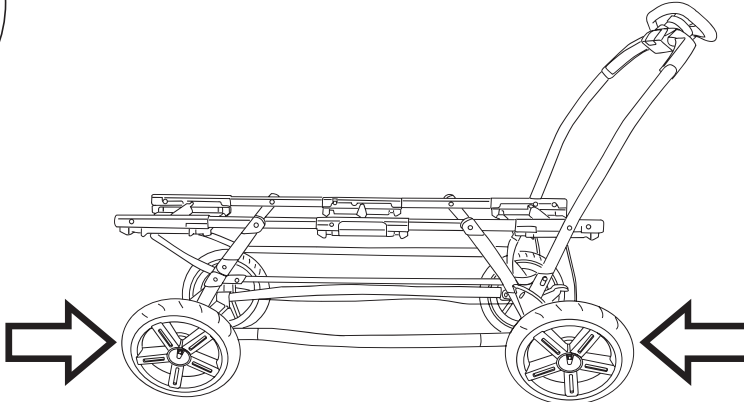
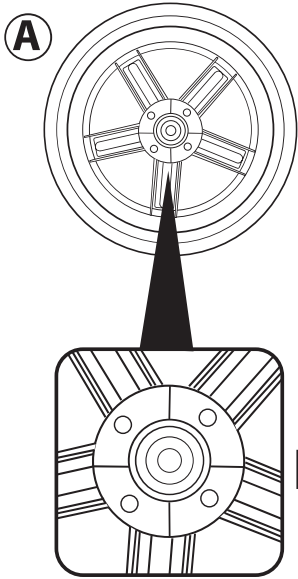
FR Notice d'emploi

**triplette sw**

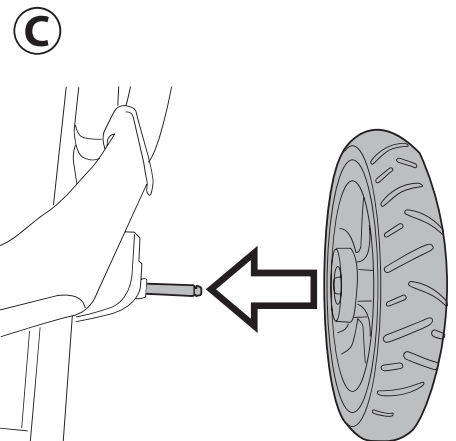
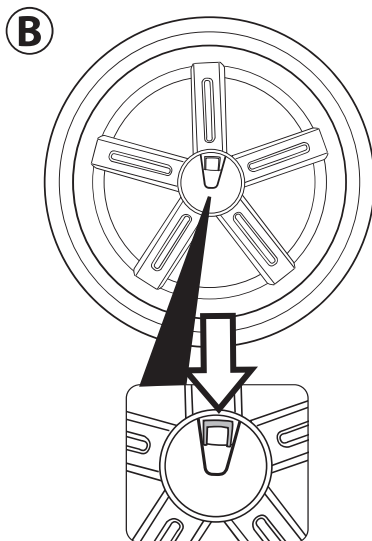
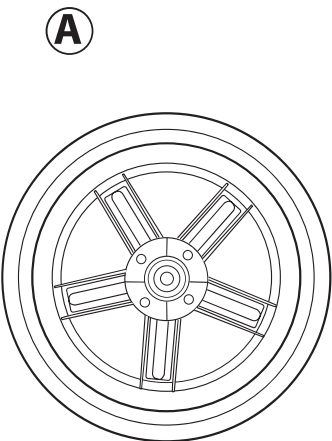
1



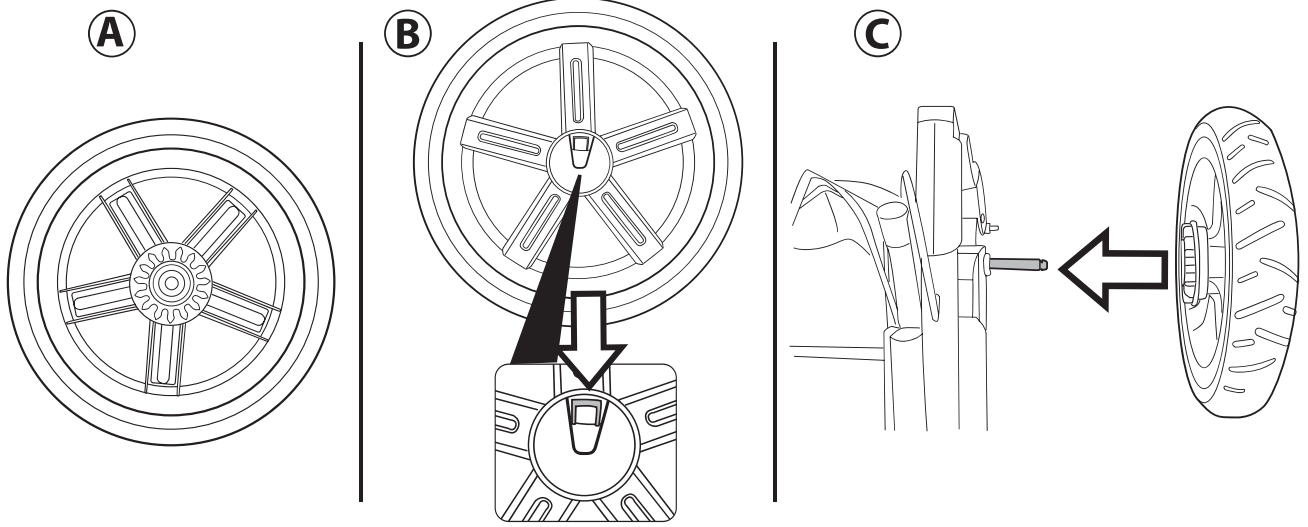
2



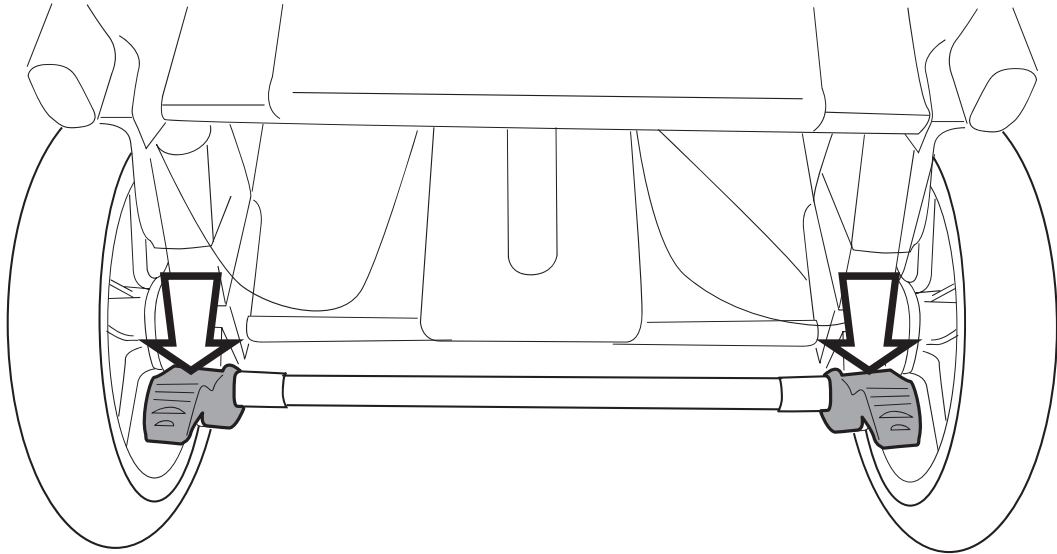
3



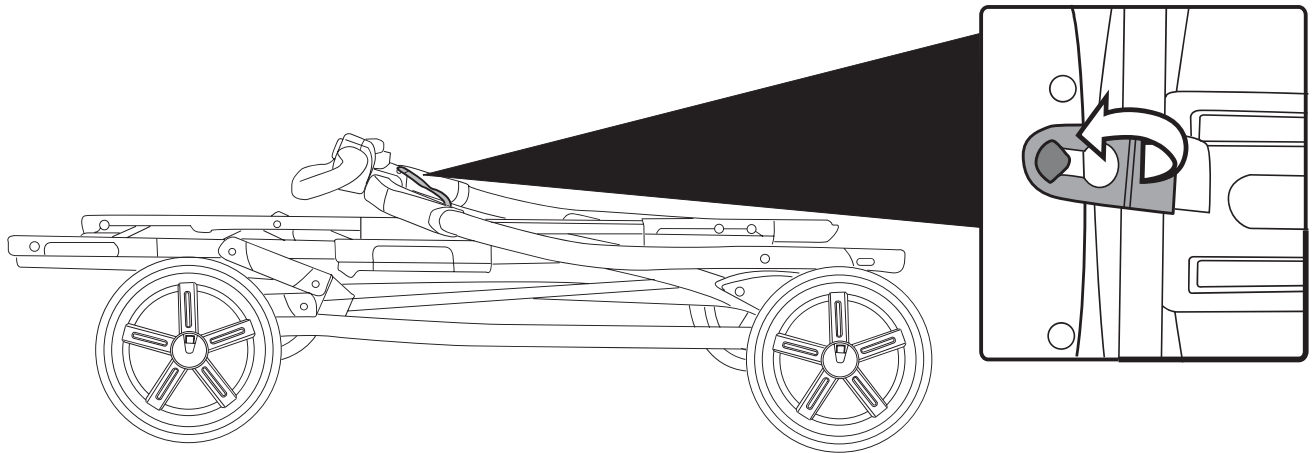
4



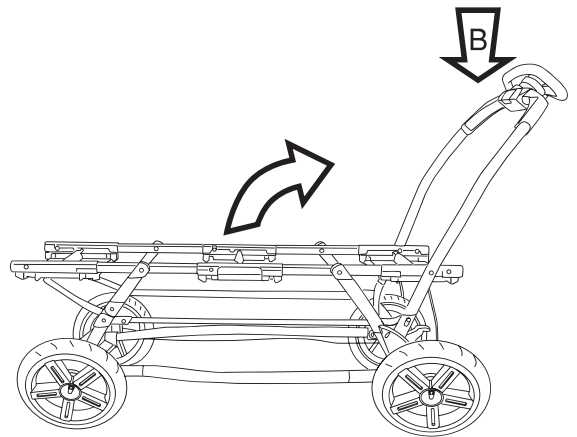
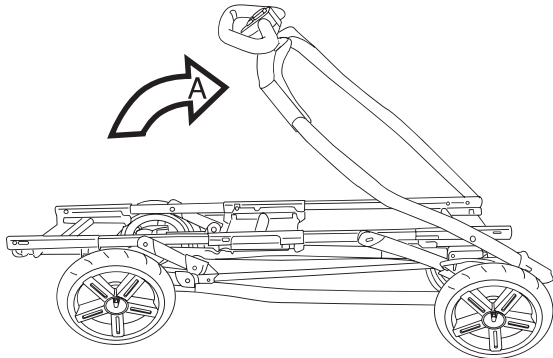
5



6

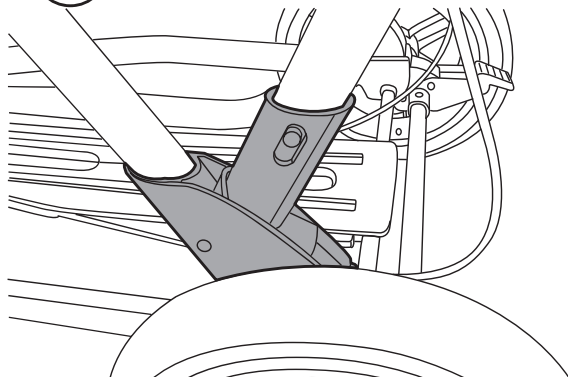


7

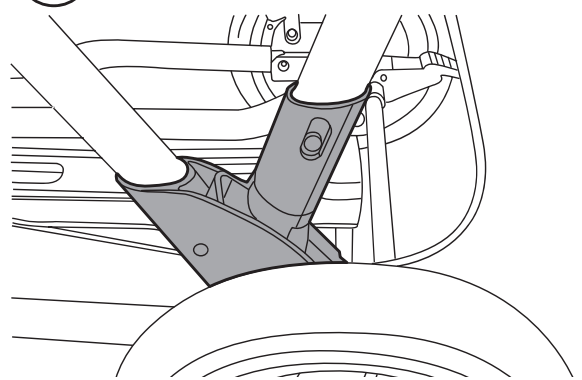


8

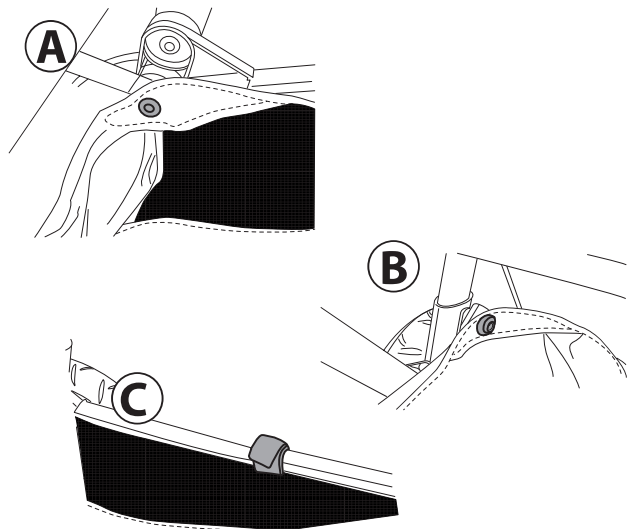
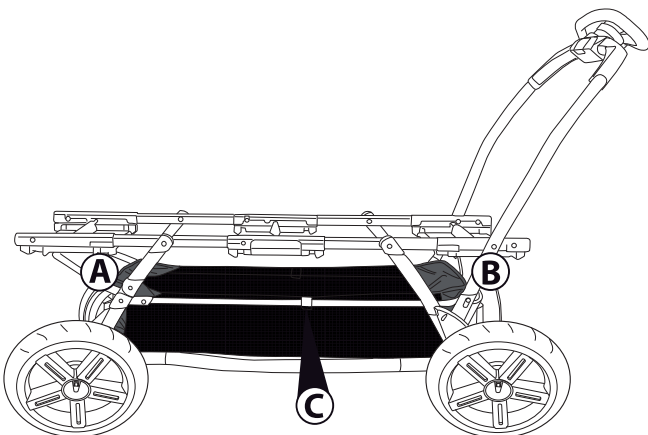
OK



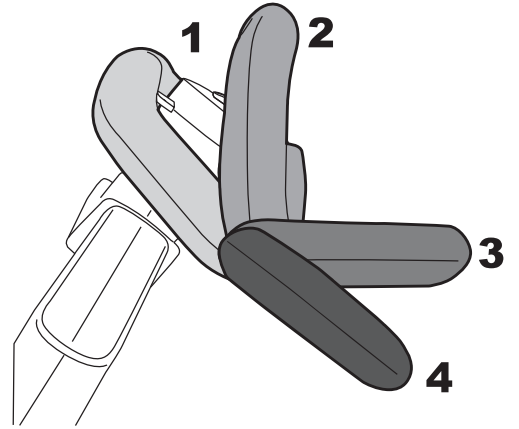
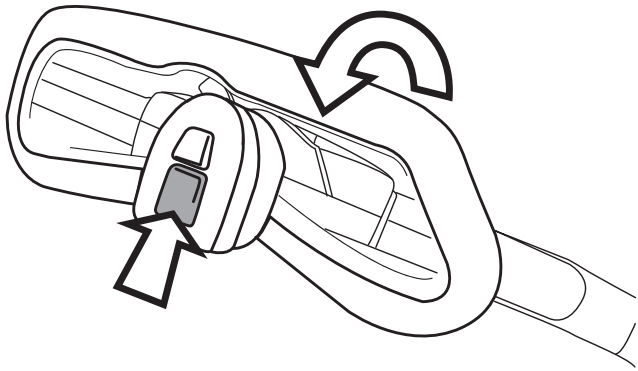
NO



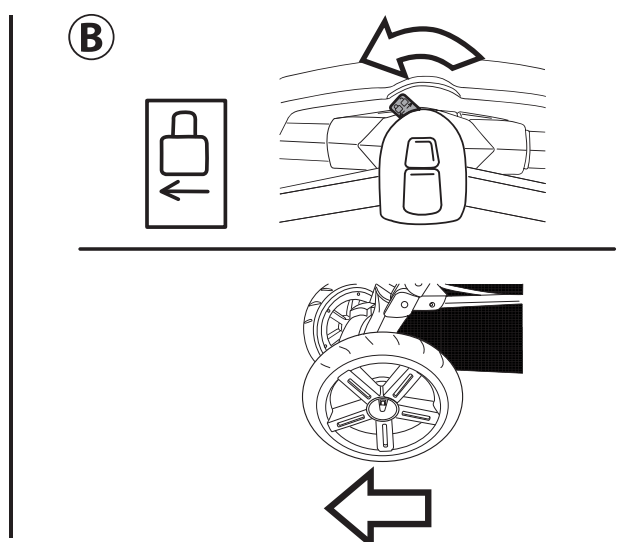
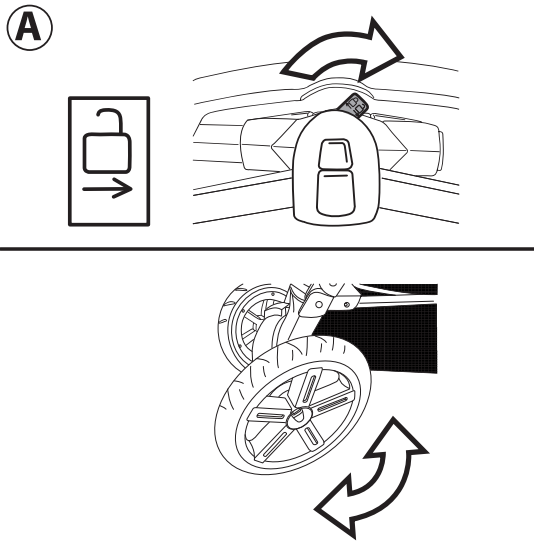
9



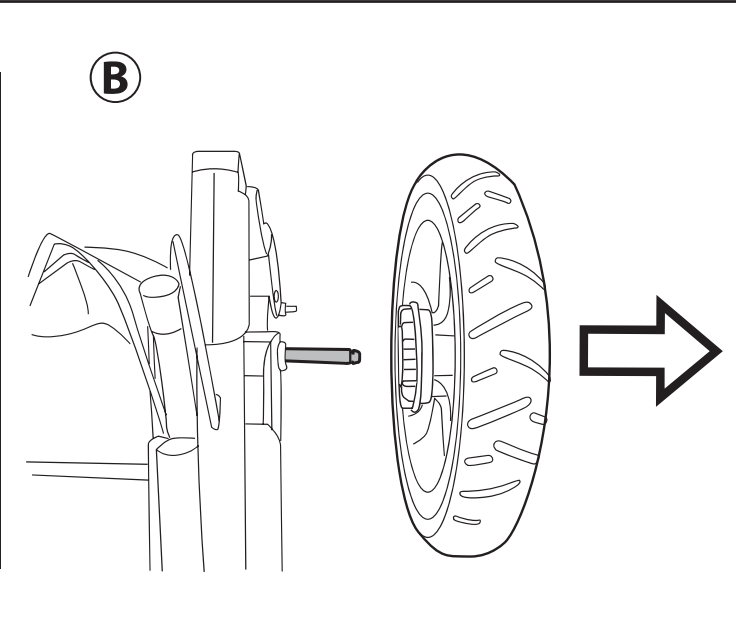
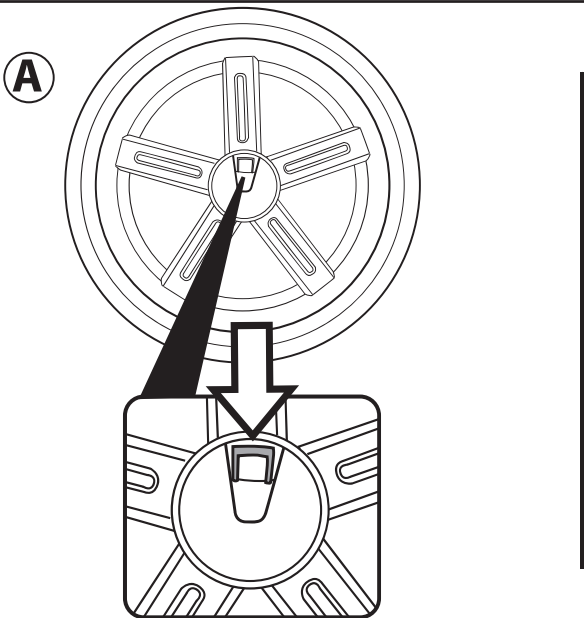
10



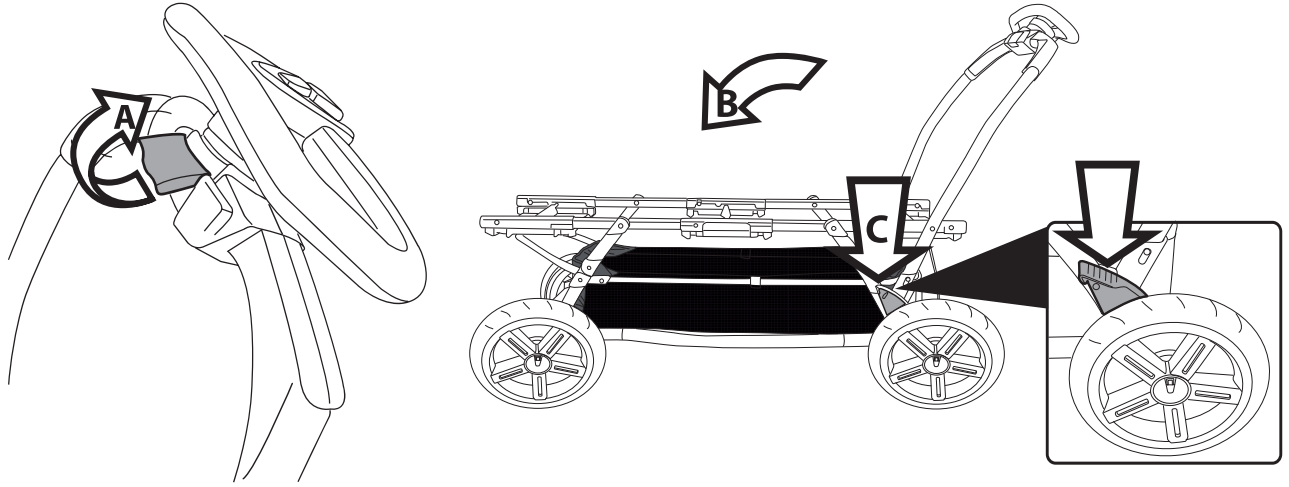
11



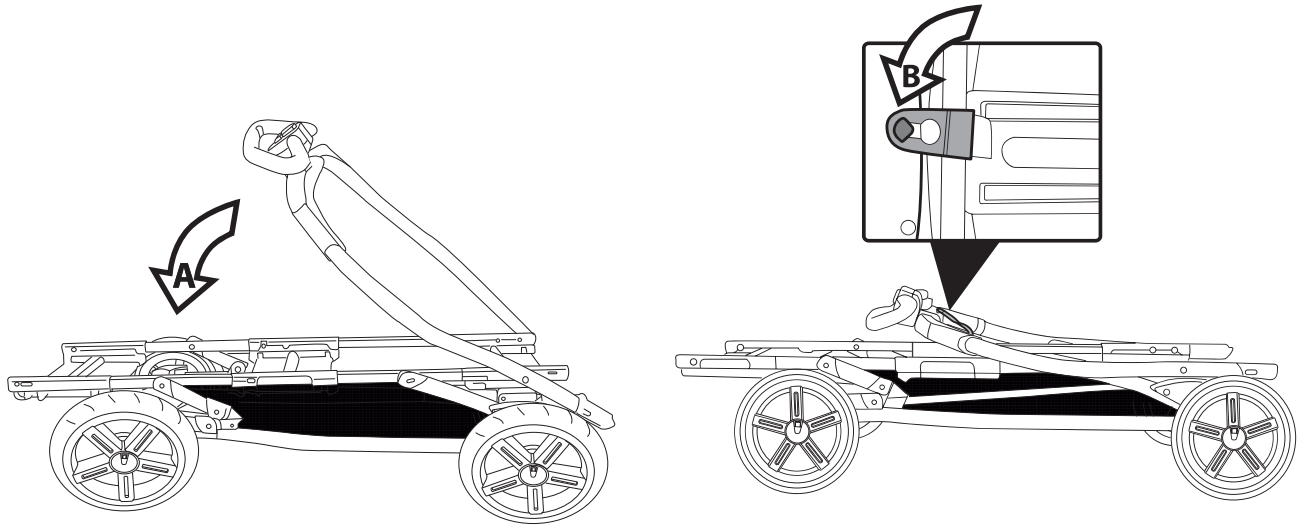
12

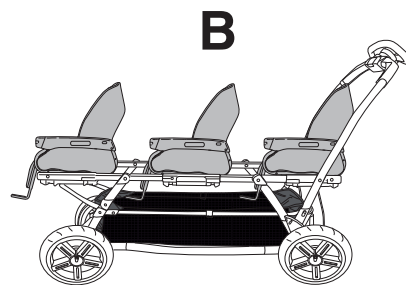
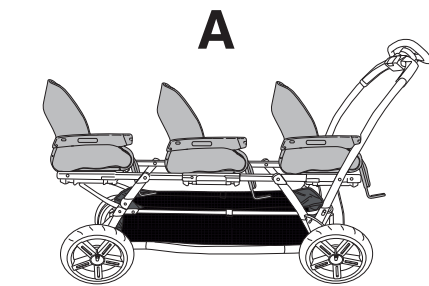
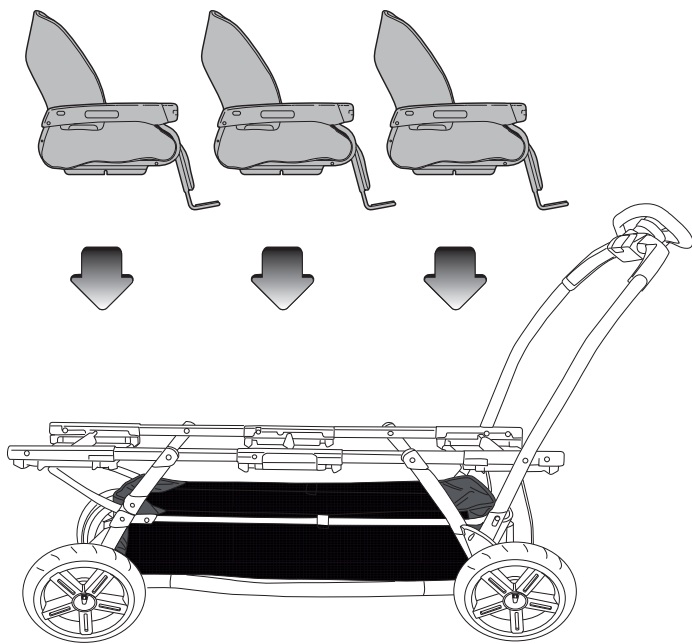


13

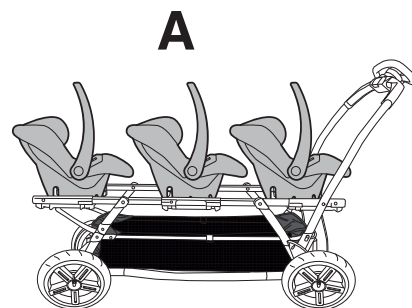
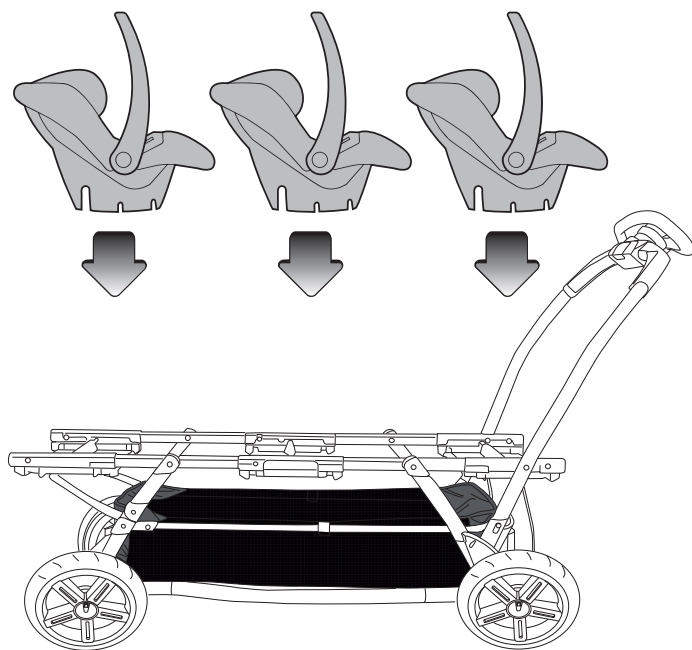


14



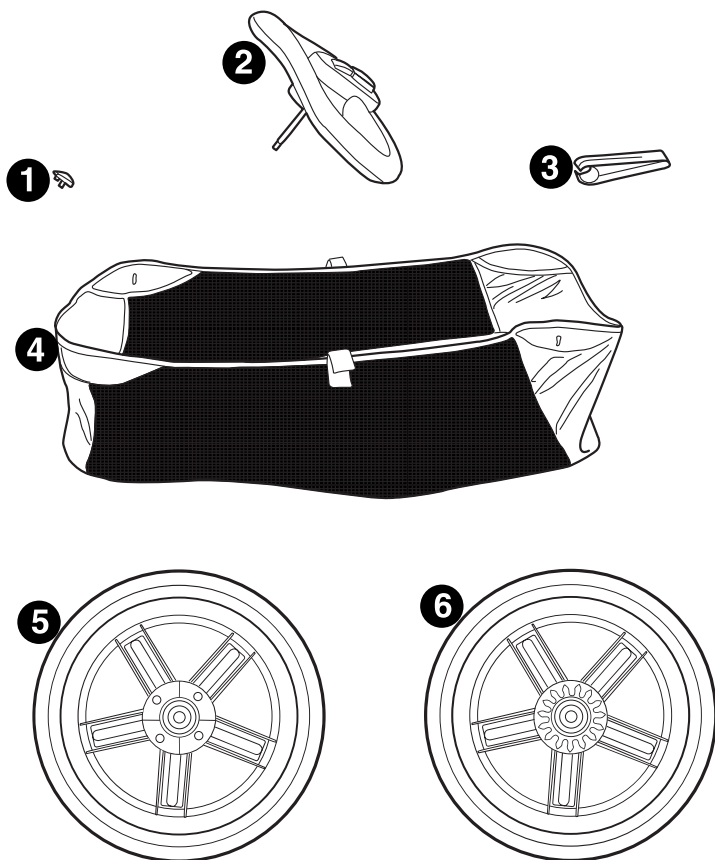


**15 Ganciomatic System: 3 Seat Unit**



**16 Ganciomatic System: 3 Primo Viaggio**

# Triplette SW



- 1 SPST5981GR
- 2 ARPI0372NGR
- 3 SPST5971N
- 4 ERSHTS•
- 5 ASPI0096L65N
- 6 ASPI0097L65N

EN• Spare parts available in different colours to be specified when ordering.

ES• Repuestos disponibles en otros colores que se especificarán en el pedido.

FR• Pièces de rechange disponibles en plusieurs couleurs à spécifier dans la demande.

# EN\_English

Thank you for choosing a Peg-Pérego product.

## **WARNING**

**IMPORTANT: READ THE INSTRUCTIONS CAREFULLY BEFORE USE AND KEEP THEM FOR FUTURE REFERENCE. THE CHILD MAY BE HURT IF YOU DO NOT FOLLOW THESE INSTRUCTIONS.**

THIS ITEM WAS DESIGNED FOR THE TRANSPORT OF 3 CHILDREN IN THE SEATS.

DO NOT USE THIS ITEM FOR A NUMBER OF OCCUPANTS GREATER THAN THAT INTENDED BY THE MANUFACTURER.

THIS ITEM WAS DESIGNED FOR USE IN COMBINATION WITH THE FOLLOWING PEG PEREGO GANCIOMATIC PRODUCTS: THE "SEAT UNIT" CARRYING CHAIR - THE "PRIMO VIAGGIO" CAR SEAT (GROUP 0+).

BEFORE USE CHECK THAT THE PEG PEREGO GANCIOMATIC PRODUCTS ARE CORRECTLY FIXED TO THE ITEM.

THE ASSEMBLY AND PREPARATION OF THE ITEM MUST BE CARRIED OUT BY AN ADULT.

DO NOT USE THIS ITEM IF THERE ARE PARTS MISSING OR SIGNS OF BREAKAGE.

IT MAY BE DANGEROUS TO LEAVE YOUR CHILD UNATTENDED.

ALWAYS APPLY THE BRAKE WHEN STATIONARY.

BEFORE USE CHECK THAT ALL THE ATTACHMENT MECHANISMS ARE CORRECTLY ENGAGED.

DO NOT INSERT FINGERS INTO THE MECHANISMS.

BE CAREFUL NOT TO HURT THE CHILD WHEN ADJUSTING THE MECHANISMS (HANDLEBAR, BACKREST).

ANY WEIGHTS HANGING ON THE HANDLEBAR OR HANDLES COULD MAKE THE ITEM UNSTABLE; FOLLOW THE MANUFACTURER'S INSTRUCTIONS AS REGARDS THE MAXIMUM LOADS TRANSPORTABLE.

DO NOT LOAD THE BASKETS OVER 5 KG. DO NOT PUT WEIGHT IN THE CUP HOLDER IN EXCESS OF THOSE INDICATED ON THE CUP HOLDERS THEMSELVES AND NEVER HOT DRINKS. DO NOT PUT LOADS OF MORE THAN 0.2 KG IN THE HOOD POCKETS (IF PRESENT).

DO NOT USE THE ITEM NEAR TO STAIRS OR STEPS, HEAT SOURCES, NAKED FLAMES OR DANGEROUS OBJECTS WITHIN REACH OF THE CHILD.

THE USE OF ACCESSORIES NOT APPROVED BY THE MANUFACTURER COULD BE DANGEROUS.

THIS ITEM IS NOT SUITABLE FOR JOGGING OR ROLLER SKATING.

APPLY THE BRAKE WHEN LOADING OR UNLOADING CHILDREN.

# INSTRUCTIONS

- 1 **FITTING THE WHEELS:** remove the four protective caps, (two round and two square) from the folded chassis, as in the figure.
- 2 **WARNING:** distinguish the front wheels (Fig. A) from the rear wheels (Fig. B), as in the figure.
- 3 Fit the front wheels, which are shown in Figure A, while the base is closed. It is necessary to push the locking lever down (fig. B) and at the same time push the hub onto the pin (fig. C). Check that the wheels are properly attached by pulling them in opposite directions.
- 4 To fit the rear wheels, repeat the action carried out for the front wheels (sequence B and C). The rear wheels can be identified by the black teeth, as shown in figure A. Check that the wheels are properly attached by pulling them in opposite directions.
- 5 **BRAKE:** to activate the brake on the chassis, push down with your foot on the brake bar located on the rear wheels, as shown by the arrows in the figure.
- 6 **OPENING:** activate the brake on the folded chassis. Unfasten the tab, as in the figure.
- 7 Lift the handlebar in the direction of the arrow (Fig. A). Press the handlebar downwards until the final click (Fig. B).
- 8 Check that the opening is correct, as in the figure.
- 9 **BASKET:** fasten the basket on the chassis base, as shown in the figure, at six specific points. Attach the four buttons, to the front and rear, as in figures A and B; then attach the two Velcro strips to the chassis tube, as in figure C.
- 10 **STEERING WHEEL:** to guarantee good grip, the steering wheel may adopt four different positions. To adjust them, press the button as in the figure.
- 11 **STEERABLE WHEELS:** the practical steering wheel allows you to steer the front wheels. To steer, move the lever on the steering wheel to the right, as in figure A. To fix the wheels, move the lever to the left, as in figure B.
- 12 **WHEEL REMOVAL:** press down on the lever at the centre of the wheel, as shown by the arrow in figure A, and simultaneously pull the wheel towards you (Fig. B).
- 13 **FOLDING:** activate the brake and release the seats. To fold the chassis, lift the lever on the handlebar (Fig. A), thus detaching the handlebar, and move it slightly forwards (Fig. B). Push down on the safety lever with your left foot (Fig. C) to release the handlebar.
- 14 Rotate the handlebar downwards (Fig. A). Fold the chassis, attaching the tab to the handlebar fastener (Fig. B).

## GANCIOMATIC SYSTEM

Ganciomatic is a fast and practical system that allows you to attach the Primo Giro carrying chair or the Primo Viaggio car seat (sold separately) to the Ganciomatic Base in one step.

Place the item on the Ganciomatic Base and push down with both hands until you hear a click.

Always activate the chassis or stroller brake before attaching or removing products (refer to the respective instruction manuals).

**Follow the instructions for the product combinations.**

### 15 TRIPLETTE SW + 3 CARRYING SEATS

**WARNING:** To keep the product steady, we recommend installing all three carrying seats at all times.

If for any reason Triplette SW is used with only one or two occupants, we recommend fastening all three carrying seats securely to the chassis in any case.

Place the child or children in the seats nearest the steering wheel.

For instructions on attaching the product to the chassis and detaching it, see the instruction manual supplied with the seat.

Figures A and B show two ways the seat can be fastened to the chassis.

## 16 TRIPLETTE SW + 3 PRIMO VIAGGIO CAR SEATS

Figure A shows how to attach the product (facing the person pushing).

## CLEANING AND MAINTENANCE

**PRODUCT MAINTENANCE:** protect from the weather: water, rain, or snow; prolonged and continuous exposure to bright sunlight may give rise to colour changes of various different materials; store this product in a dry place.

**CLEANING THE CHASSIS:** periodically clean all plastic parts with a damp cloth. Do not use solvent or similar cleaning products; keep all metal parts dry to prevent rusting; keep moving parts clean (adjustment mechanisms, locking mechanisms, wheels, ...) and free of dust and sand and, if necessary, lubricate with light machine oil.

## PEG-PÉREGO S.p.A.

Peg Pérego can make changes at any time to the models described in this publication for technical or commercial reasons.

## PEG-PÉREGO AFTER-SALES SERVICE

If any parts of your Peg Pérego product should be accidentally mislaid or damaged, use exclusively genuine original Peg Pérego replacements. For any repairs, replacements, product information, and orders for genuine original replacement parts and accessories, contact Peg Pérego After-Sales Service:

### USA

**tel.** 800.671.1701    **fax** 260.471.6332

**call us toll free** 1.800.671.1701    **website** [www.pegperego.com](http://www.pegperego.com)

### CANADA

**tel.** 905.839.3371    **fax** 905.839.9542

**call us toll free** 1.800.661.5050    **website** [www.pegperego.com](http://www.pegperego.com)

This document was created with Win2PDF available at <http://www.win2pdf.com>.  
The unregistered version of Win2PDF is for evaluation or non-commercial use only.  
This page will not be added after purchasing Win2PDF.