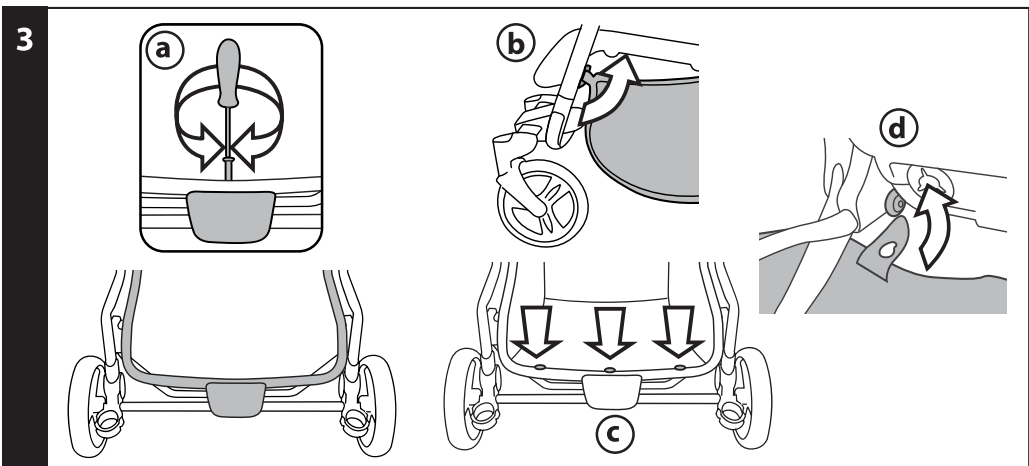
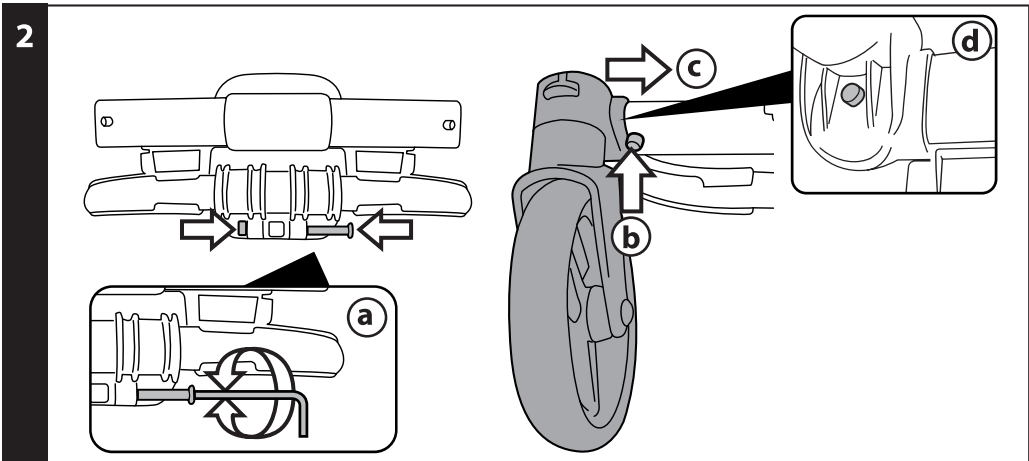
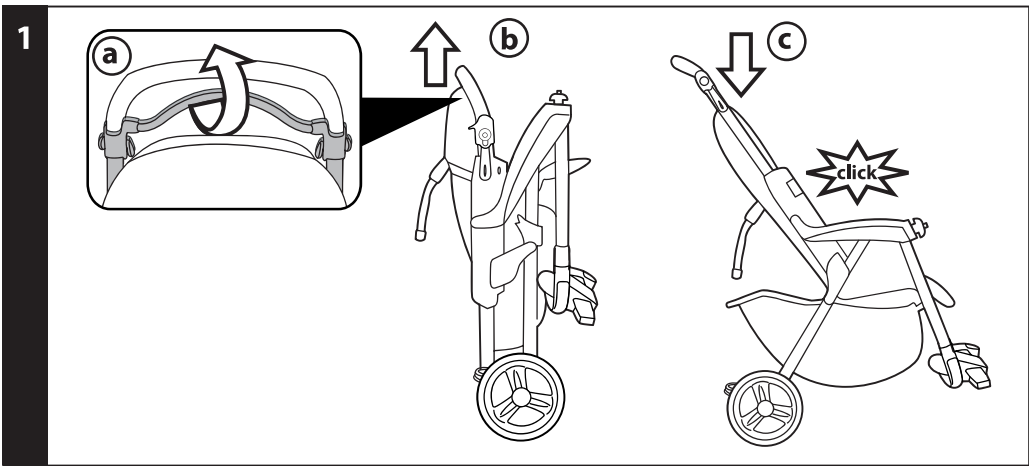
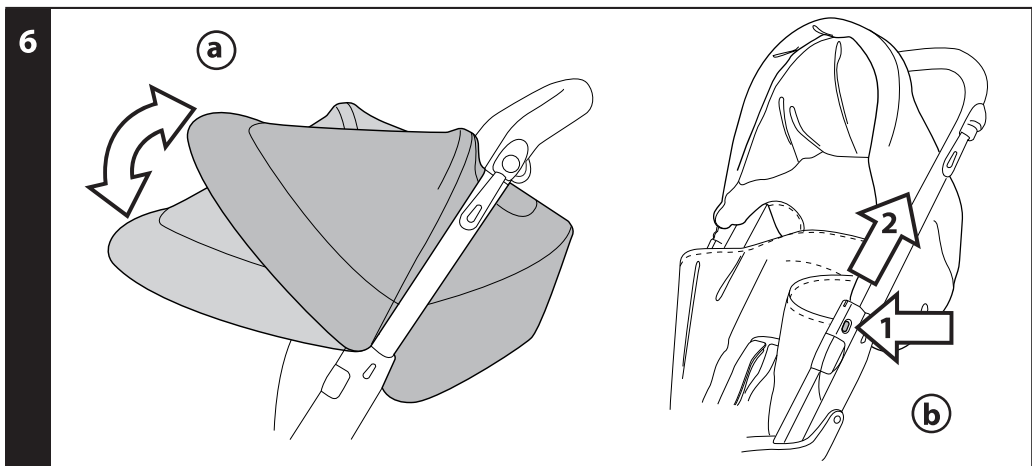
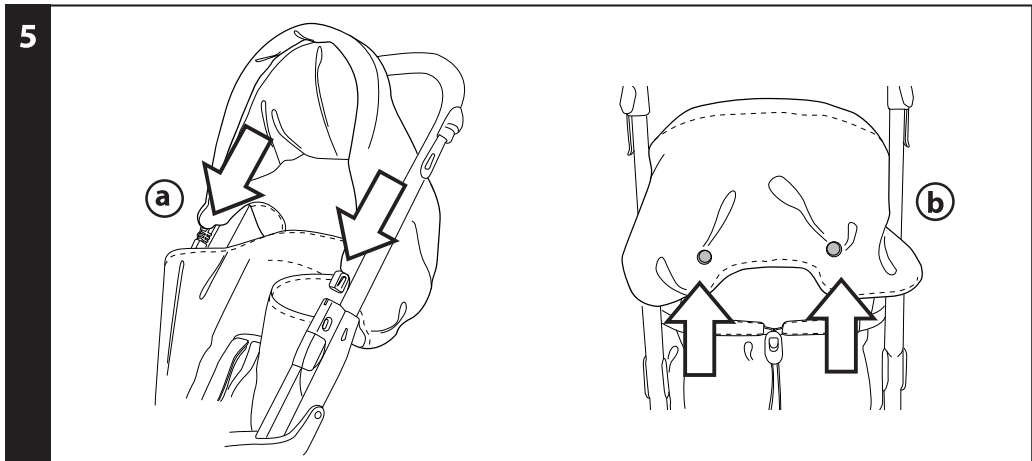
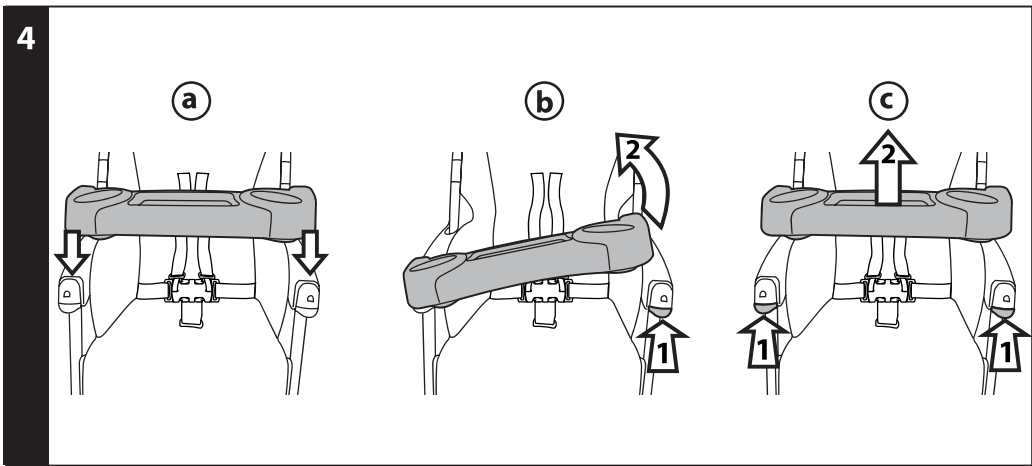


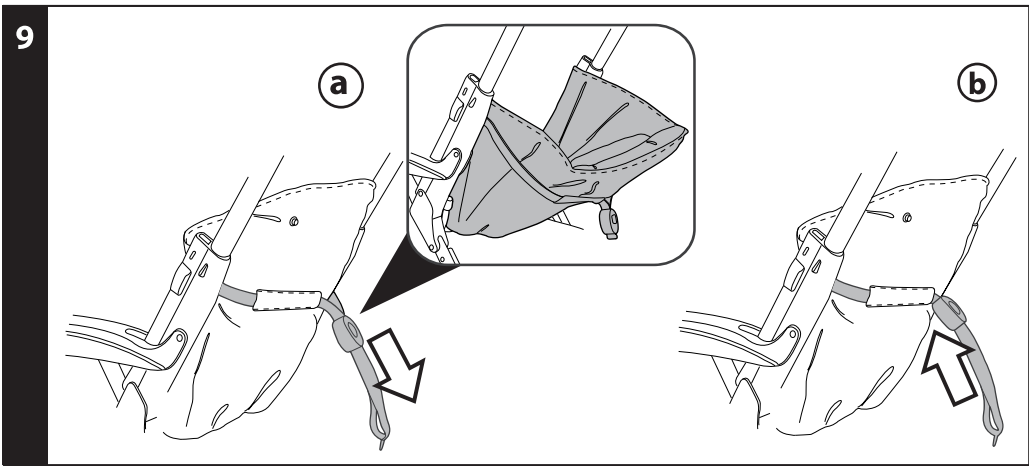
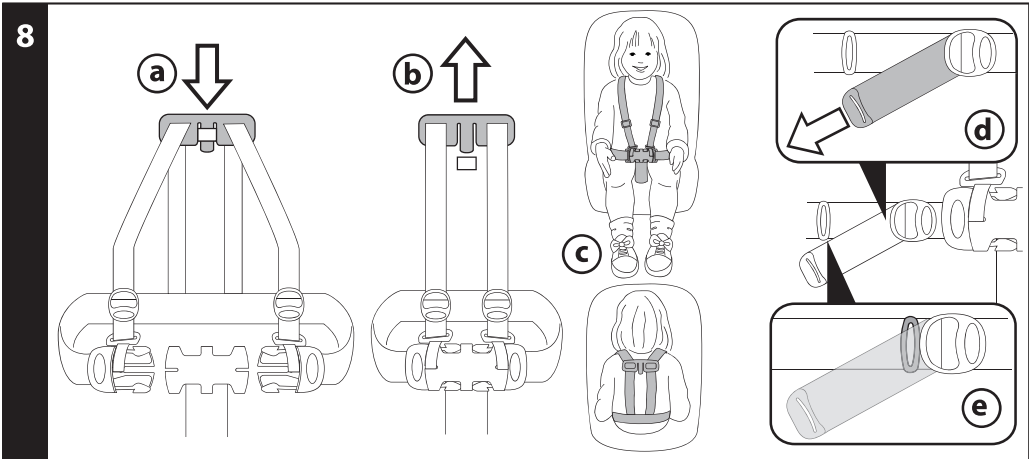
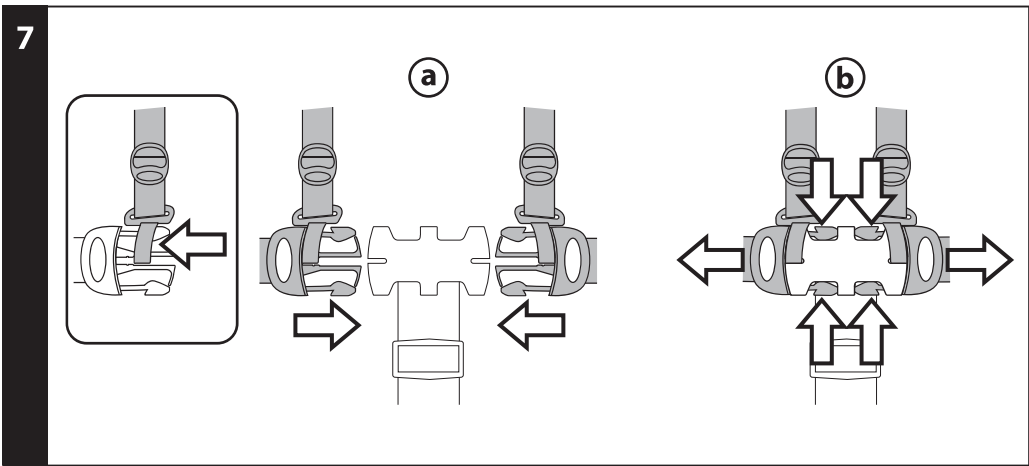


U.S.A./CANADA
EN Instructions for use
ES Instrucciones de uso
FR Notice d'emploi

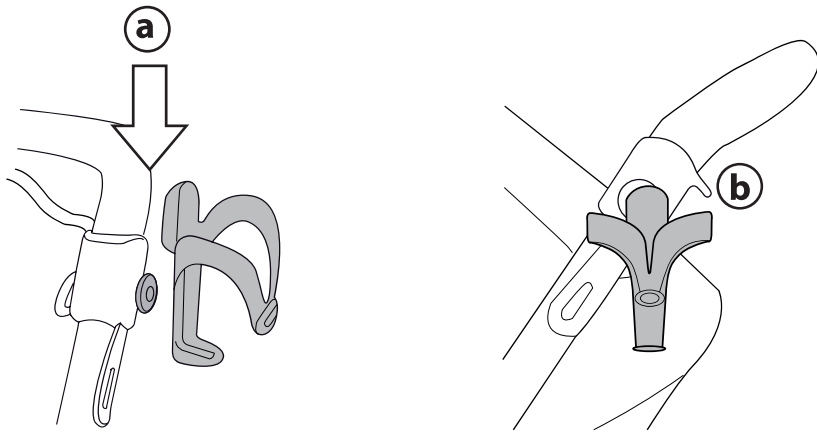
vela easy drive



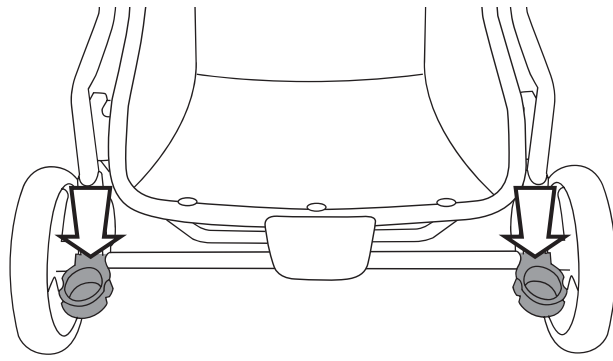




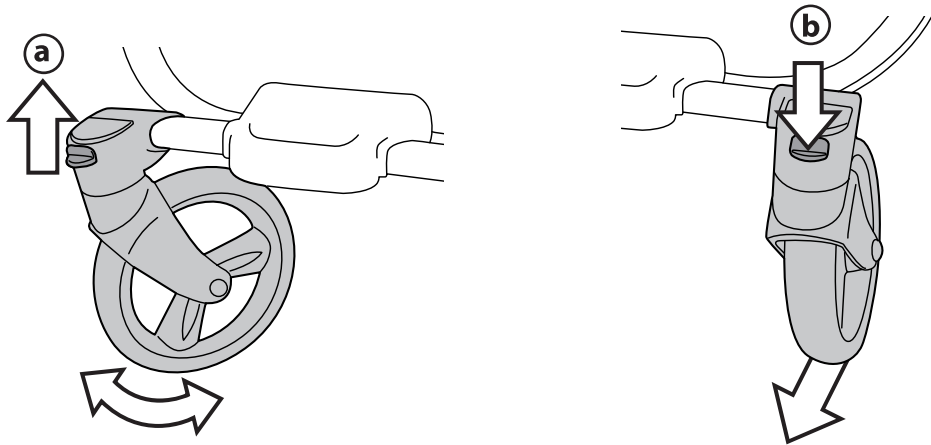
10

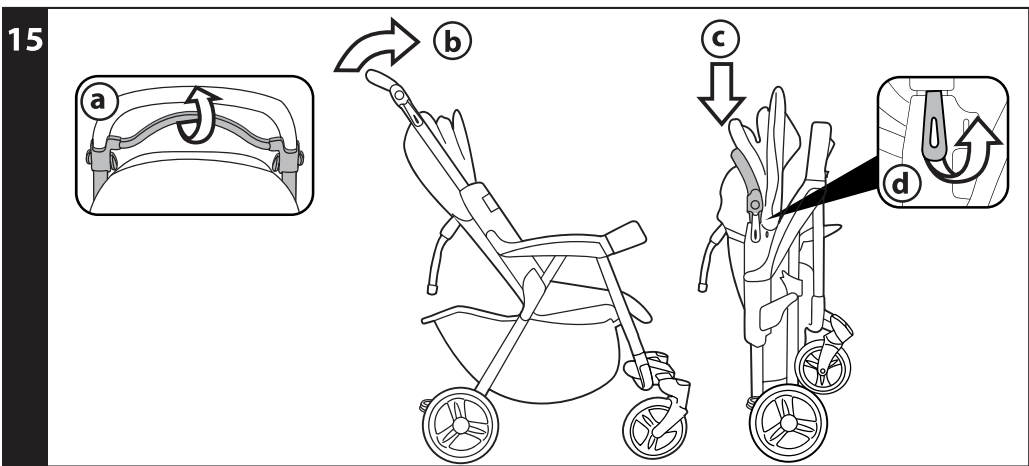
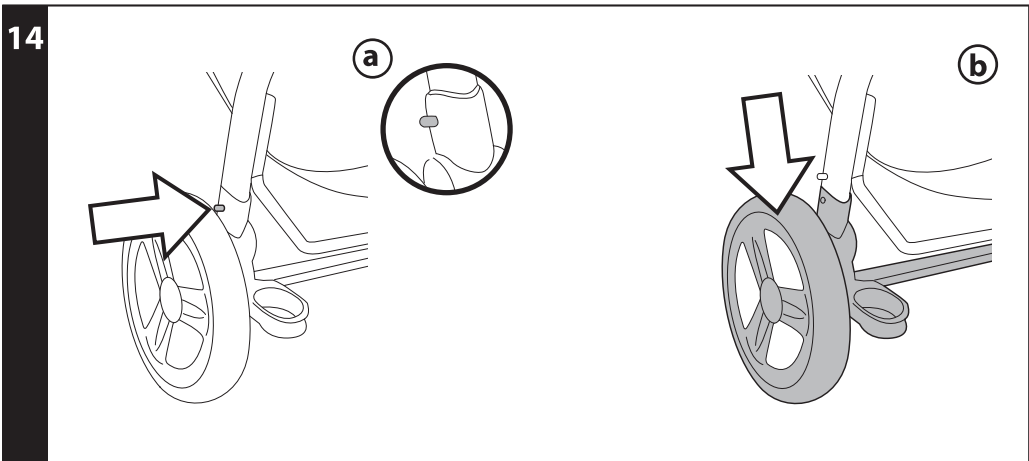
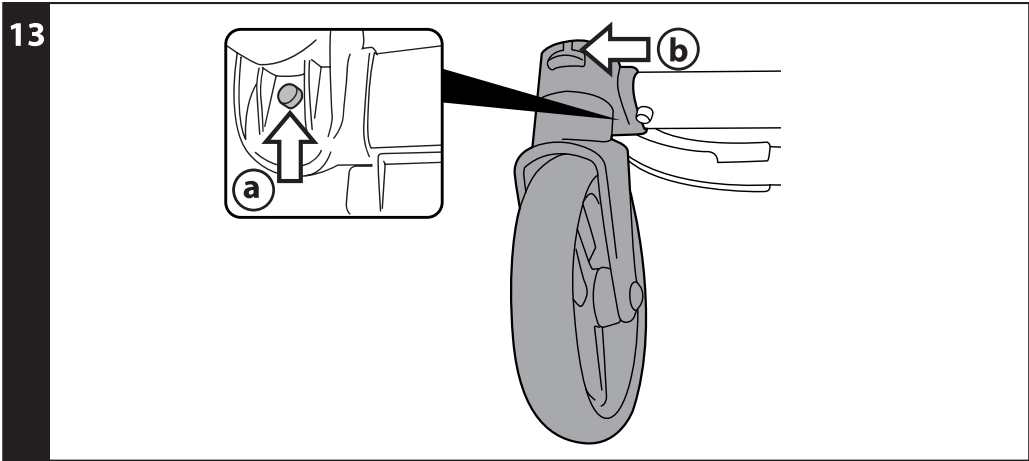


11

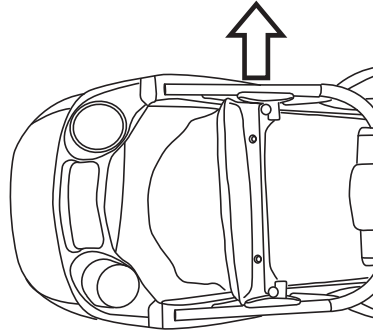


12

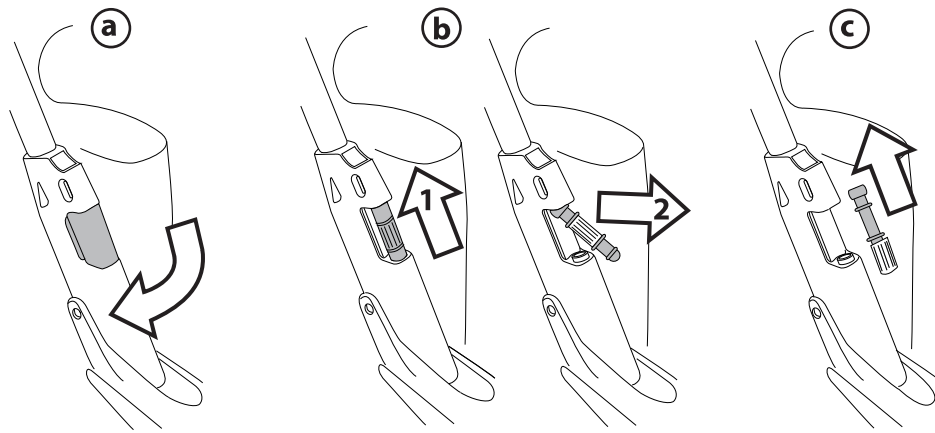




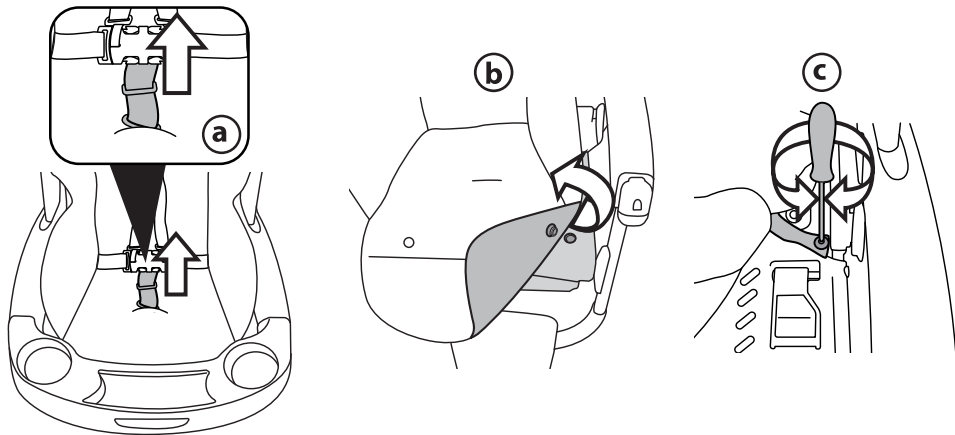
16



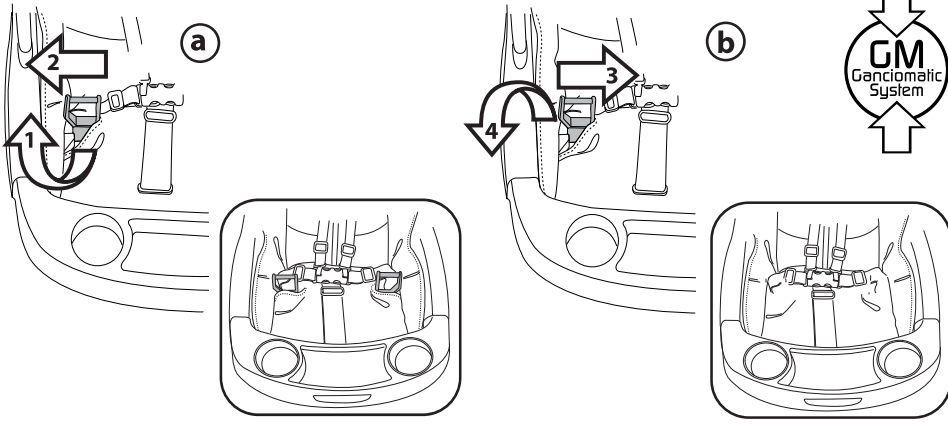
17



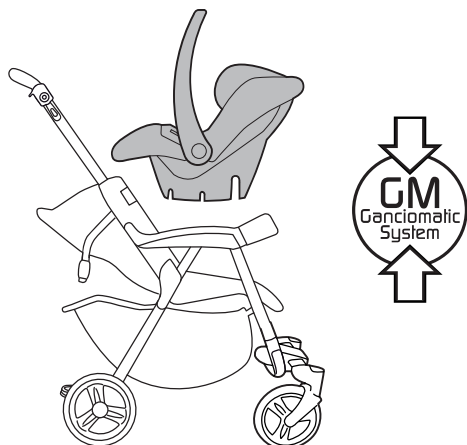
18



19



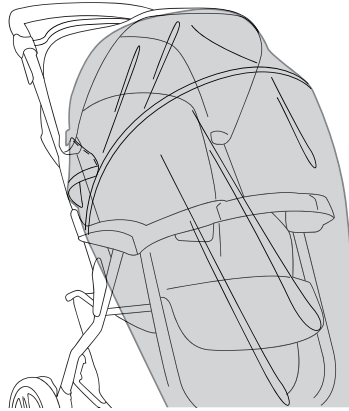
20



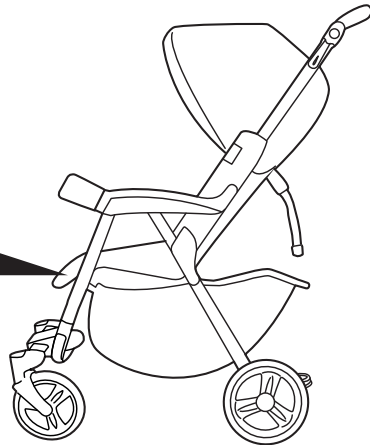
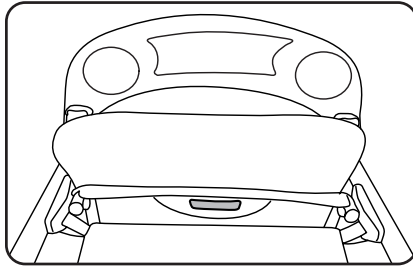
21



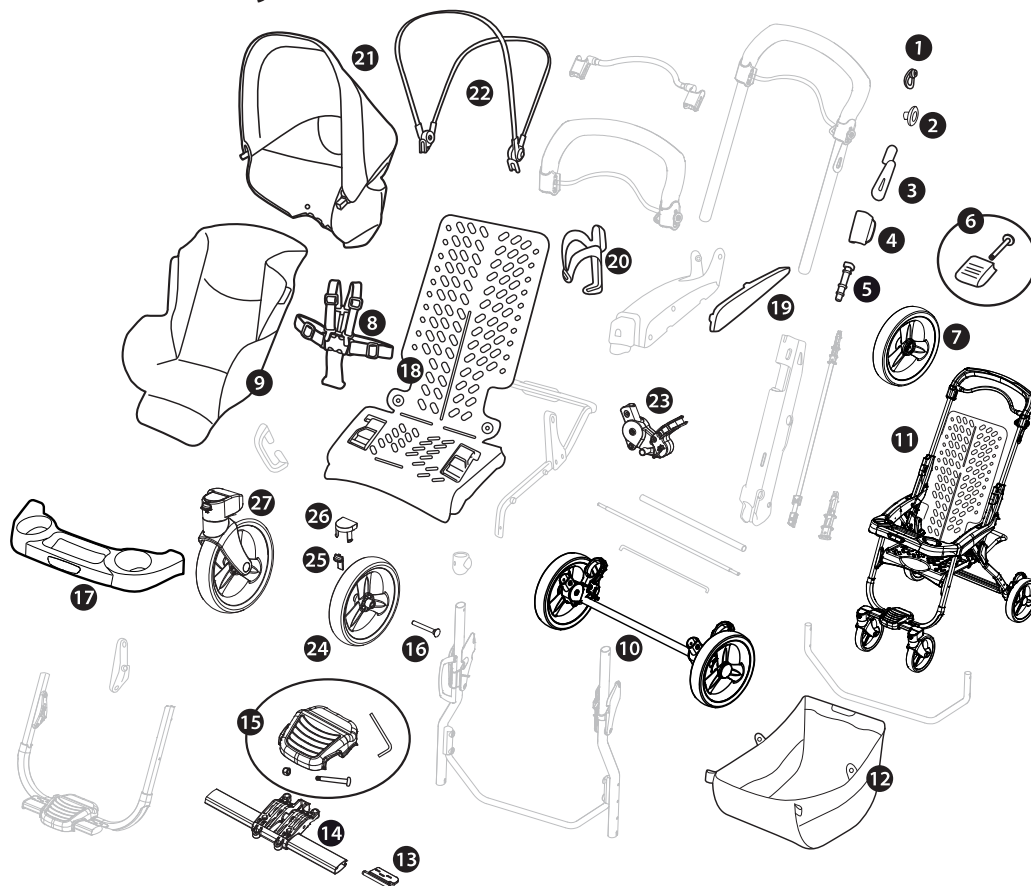
22



23



Vela Easy Drive



| | | | | | |
|----|----------------|----|--------------------|----|--------------|
| 1 | SPST5149KGR | 11 | ITVEL4NANL65 | 20 | SAPI6430NGR |
| 2 | SPST6467GR | 12 | ERSHAA00-NY01RE53M | 21 | BCAAOH00• |
| 3 | SPST6067N | 13 | SPST7081DN | 22 | SAPI6477GR |
| 4 | SPST5474DGR | | SPST7081SN | 23 | SAPI5099KN |
| 5 | SPST5475GL | | SPST7081SN | 24 | SAPI6810XGRN |
| 6 | ASPI0122N | 14 | SAPI7076L65N | 25 | SPST7080GR |
| 7 | SAPI6811JGRN | 15 | ASPI0141N | 26 | SPST7079GR |
| 8 | MUCI5P14NERO | 16 | MMST0087 | 27 | SAPI7077DNGR |
| 9 | BSAAOHNA• | 17 | SAPI6485NGRPEG | | SAPI7077SNGR |
| 10 | SAPI6694L65NGR | 18 | ARPI0536NGR | | |
| | | 19 | SPST5115WDGRPEG | | |
| | | | SPST5115WSGRPEG | | |

EN Spare parts available in different colours to be specified when ordering.

ES Repuestos disponibles en otros colores que se especificarán en el pedido.

FR Pièces de rechange disponibles en plusieurs couleurs à spécifier dans la demande.

EN_English

Thank you for choosing a Peg-Pérego product.

WARNING

- **CAREFULLY READ INSTRUCTIONS AND KEEP FOR FUTURE USE. THE CHILD'S SAFETY COULD BE PUT AT RISK IF THE INSTRUCTIONS ARE NOT FOLLOWED.**
- THIS PRODUCT IS DESIGNED FOR A CHILD WHOSE MAXIMUM WEIGHT IS 45 POUNDS (20 KG) AND WHOSE MAXIMUM HEIGHT IS 43 INCHES (110 CM). THIS SHOPPER BASKET IS DESIGNED TO CARRY A MAXIMUM WEIGHT OF 11 POUNDS (5 KG). ANY CUPHOLDER EVENTUALLY PROVIDED WITH THIS UNIT IS DESIGNED TO CARRY A MAXIMUM WEIGHT SPECIFIED ON THE CUPHOLDER ITSELF. ANY POACH OR POCKET PROVIDED WITH THIS UNIT IS DESIGNED TO CARRY A MAXIMUM WEIGHT OF 0.44 POUNDS (0.2 KG).
- FAILURE TO FOLLOW MANUFACTURER'S SPECIFICATIONS OR USE OF ACCESSORIES OTHER THAN THOSE APPROVED BY THE MANUFACTURER MAY CAUSE THE UNIT TO BECOME UNSTABLE.
- AVOID SERIOUS INJURY FROM FALLING OR SLIDING OUT. ALWAYS USE COMPLETE 5 POINT SEAT BELT.
- NEVER LEAVE YOUR CHILD UNATTENDED.
- ALWAYS USE ALL THE BRAKES WHENEVER PARKED.
- TO AVOID SERIOUS INJURY, WHEN MAKING ADJUSTMENTS ENSURE THE CHILD'S BODY IS CLEAR OF ALL MOVING PARTS.
- ALL OPERATING AND ASSEMBLY PROCEDURES SHOULD BE PERFORMED BY AN ADULT.
- DO NOT LIFT THE STROLLER BY GRIPPING THE FRONT BAR. THE FRONT BAR IS NOT DESIGNED TO WITHSTAND LOADS.
- ENSURE THAT THE STROLLER IS OPENED CORRECTLY AND LOCKED IN POSITION OF USE.
- CHECK TO MAKE SURE THAT THE CAR SEAT OR THE BABY CARRIAGE IS CORRECTLY FASTENED TO THE STROLLER (WHERE APPLICABLE).
- DO NOT DRIVE THIS PRODUCT AROUND STAIRS OR STEPS; CARE MUST BE TAKEN IF UNIT IS USED ON STAIRS OR ESCALATORS.
- DO NOT USE THE PRODUCT IF IT HAS BROKEN OR MISSING PARTS.
- DO NOT USE NEAR FIRE OR EXPOSED FLAME.
- NOTICE: THIS ARTICLE MEETS OR EXCEEDS ALL REQUIREMENTS COVERED IN ASTM F833 STANDARD AND LATEST REVISIONS.
- MAKE SURE THAT THE REAR LEDGE IS ALWAYS SECURELY ATTACHED USING THE SCREW SUPPLIED.

INSTRUCTIONS

- 1 **OPENING THE STROLLER:** (fig_a) To open the stroller, lift the lever on the handlebar (fig_a) until the safety hooks are unfastened; lift the handlebar all the way up (fig_b), then push it all the way down to the final click (fig_c).
- 2 **FRONT WHEEL ASSEMBLY:** before inserting the wheel, straighten the footrest, insert the nut and then insert the screws under the footrest, tightening them to hold it in place (fig_a). Now press the button (fig_b) and slide the wheels on until you hear a click (fig_c), then check that they are connected correctly (fig_d).
- 3 **ASSEMBLING THE BASKET:** Attach the screw and the stabilizer to the basket rod and tighten (fig_a). Fasten the basket on the front to the hooks (fig_b), button it on the rear and fasten it internally to the sides (fig_d).
- 4 **FRONT BAR-TRAY:** Place and attach the front bar-tray (fig_a). To open the front bar on one side only, press one of the two buttons placed underneath and turn it upwards (fig_b). To remove it, press both buttons and pull it upwards at the same time (fig_c). Do not place hot drinks on the front bar-tray because it could be dangerous.
- 5 **HOOD:** To attach the hood, insert the tabs into the notches (fig_a) and button the hood to the rear of the backrest (fig_b).
- 6 The hood can be moved to different positions while your child is sleeping (fig_a). To remove the hood, press the side buttons while lifting

- the hood off (fig_b).
- 7 **5-POINT SAFETY HARNESS:** to attach the safety harness, insert the two buckles of the waist strap (with shoulder straps attached) into the leg divider strap until it clicks into place (fig_a). To release, press both sides of the buckle and pull the waist strap to the sides at the same time (fig_b).
 - 8 To secure the child with the safety harness, insert the shoulder strap buckle in the special holder on the backrest (fig_a) and, after fastening the harness, detach the buckle from the backrest to allow the child more freedom of movement (fig_b). Position the shoulder strap buckle just below the child's shoulders to ensure the straps remain in place without slipping (fig_c). To tighten the waist strap, pull on both sides in the direction of the arrow (fig_d). To loosen it do the opposite. The waist strap can be tightened as far as the safety lock (fig_e).
 - 9 **ADJUSTING THE BACKREST:** To recline the backrest, lower the backrest-adjusting button while pushing it down (fig_a). To lift the backrest, pull up the backrest-adjuster (fig_b).
 - 10 **CUP HOLDER:** Fit the cup holder by fastening it until it clicks into place (fig_a). Fastened cup holder (fig_b).
 - 11 **BRAKE:** To set the brakes on the stroller, push down both levers on the rear wheels with your foot. Always set the brakes when the stroller is not moving.
 - 12 **FRONT SWIVELLING WHEELS:** for front swivelling wheels, raise the lever located on the wheels (fig_a), for fixed wheels, position the wheel as illustrated in the figure and lower the lever (fig_b).
 - 13 **FRONT WHEEL RELEASE:** to release the front wheels, press the button (fig_a) and slide off the wheels (fig_b).
 - 14 To remove the rear wheels, press the small button (fig_a) while pushing down the wheels to remove them completely (fig_b).
 - 15 **FOLDING UP THE STROLLER:** Before folding up the stroller, close the hood if attached. Lift the lever on the handlebar (fig_a) and turn it forwards (fig_b); push the backrest and the hood towards the stroller and lower the handlebar until it returns into its housing (fig_c). Check the safety hook to ensure that the stroller is correctly folded up (fig_d).
 - 16 When folded up, the stroller stands on its own and can be carried by the handle.
 - 17 **REMOVABLE LINING:** To remove the lining from the stroller, first of all remove the hood, then remove the little cover on the side by pressing on it (fig_a). Push the pin upwards and then outwards (fig_b). Slip the pin out of the hole in the sack (fig_c). Repeat on the other side.
 - 18 To unfasten the sack from the seat, remove

the leg divider from underneath (fig_a) and unbutton the sack (fig_b). Unfasten the strap on both sides (fig_c) and pull the sack off.

GANCIOMATIC SYSTEM

- Ganciomatic is the practical, fast system for attaching the Primo Viaggio car seat to the stroller. The car seat is fitted with the Ganciomatic System, and is sold separately.
- 19 **STROLLER GANCIOMATIC FASTENERS:** To raise the Ganciomatic fasteners on the stroller, pull the sack up in the seat corners and lift the two fasteners. They will automatically move outwards (fig_a). To lower the Ganciomatic fasteners, push them inwards and then down (fig_b).
 - 20 **STROLLER + CAR SEAT:** To fasten the car seat to the stroller: set the brake on the stroller, remove the hood, completely lower the backrest and raise the Ganciomatic fasteners. Place the car seat, facing the adult, on the stroller and push down until it clicks into place. Do not remove the front bar from the stroller when attaching the car seat. See the car seat's user manual for instructions on how to detach it from the stroller.

ACCESSORY

- 21 **BORSA.** Diaper-Changing Bag with pad for changing the baby. Attaches to the stroller.
- 22 **RAIN CANOPY:** The rain canopy can be attached to the hood.

SERIAL NUMBERS

- 23 **VELA** carries information on its date of manufacture under the seat.
 - Product name, date of manufacture and serial number of the product.
 This information is essential in the event of any complaints.

CLEANING AND MAINTENANCE

PRODUCT MAINTENANCE: protect from the weather: water, rain, or snow; prolonged and continuous exposure to bright sunlight may give rise to colour changes of various different materials; store this product in a dry place.

CLEANING THE CHASSIS: periodically clean all plastic parts with a damp cloth. Do not use solvent or similar cleaning products; keep all metal parts dry to prevent rusting; keep moving parts clean (adjustment mechanisms, locking mechanisms, wheels, ...) and free of dust and sand and, if necessary, lubricate with light machine oil.

CLEANING THE RAIN CANOPY: wash with a sponge and soapy water; do not use detergents.

CLEANING FABRIC PARTS: brush fabric parts

to remove dust and wash by hand at a maximum temperature of 30°C; do not wring; do not use chlorine bleach, do not iron; do not dry clean; do not apply solvent-based stain removers and do not dry in a tumble dryer.



PEG-PÉREGO S.p.A.

Peg Pérego can make changes at any time to the models described in this publication for technical or commercial reasons.

PEG-PÉREGO AFTER-SALES SERVICE

If any parts of the item get lost or damaged, only use genuine Peg Pérego spare parts. For any repairs, replacements, information on the products and sales of genuine spare parts and accessories, contact the Peg Pérego Assistance Service and state the serial number of the product, if present.

USA

tel. 800.671.1701 fax 260.471.6332
call us toll free 1.800.671.1701
website www.pegperegocom

CANADA

tel. 905.839.3371 fax 905.839.9542
call us toll free 1.800.661.5050
website www.pegperegocom

ES_Español

Le agradecemos haber elegido un producto Peg-Pérego.

⚠ ADVERTENCIA

- **LEER ATENTAMENTE ESTAS INSTRUCCIONES Y CONSERVARLAS PARA FUTURAS CONSULTAS. LA SEGURIDAD DEL NIÑO PUEDE PONERSE EN PELIGRO SI NO SE SIGUEN ESTAS INSTRUCCIONES.**
- **ESTE PRODUCTO HA SIDO DISEÑADO PARA UN NIÑO CON UN PESO MÁXIMO DE 20 KG Y UNA ALTURA MÁXIMA DE 110 CM. LA CESTILLA HA SIDO REALIZADA PARA SOPORTAR UN PESO MÁXIMO DE 5 KG. LOS POSIBLES PORTABEBIDAS QUE VAN CON ESTE PRODUCTO ESTÁN CONCEBIDOS PARA SOPORTAR EL PESO MÁXIMO ESPECIFICADO EN EL PORTABEBIDAS EN CUESTIÓN. CUALQUIER BOLSA ENTREGADA JUNTO AL PRODUCTO ESTÁ REALIZADA PARA SOPORTAR UN PESO MÁXIMO DE 0,2 KG.**
- **SI NO SE RESPETAN LAS INDICACIONES ESPECIFICADAS O SI SE USAN ACCESORIOS DIFERENTES DE LOS HOMOLOGADOS POR EL FABRICANTE, EL PRODUCTO PUEDE SER INESTABLE.**
- **PARA EVITAR LESIONES GRAVES POR CAÍDAS O SI ESCAPA EL NIÑO DE LA SILLA DE PASEO, USAR SIEMPRE UN CINTURÓN DE SEGURIDAD DE 5 PUNTOS COMPLETO.**
- **NO DEJAR NUNCA AL NIÑO SIN VIGILANCIA.**
- **USAR SIEMPRE TODOS LOS DISPOSITIVOS DE BLOQUEO CADA VEZ QUE LA SILLA DE PASEO NO ESTÉ EN MOVIMIENTO.**
- **PARA EVITAR LESIONES GRAVES, ASEGURARSE DE QUE EL NIÑO NO PUEDA MOVERSE PELIGROSAMENTE MIENTRAS SE REGULA EL PRODUCTO.**
- **TODAS LAS OPERACIONES DE ENSAMBLAJE DEBE REALIZARLAS**

This document was created with Win2PDF available at <http://www.win2pdf.com>.
The unregistered version of Win2PDF is for evaluation or non-commercial use only.
This page will not be added after purchasing Win2PDF.